

0CNP1-M24900EN

Contents

Fig. No. Fig. Name

MODEL YK250SF(FA130D-A2)

1. CYLINDER BLOCK
2. CAM SHAFT
3. CRANKSHAFT PISTON
4. GOVERNOR
5. AIR CLEANER MUFFLER
6. MAGNET RECOIL

MODEL YK250SF

7. MAIN CLUTCH
8. MISSION HOUSING
9. FENDER
10. HANDLE
11. FRONT FRAME
12. BELT COVER
13. TOOL
14. LABEL

MODEL YK300SF(FA130D-A2B)

15. CYLINDER BLOCK
16. CAM SHAFT
17. CRANKSHAFT PISTON
18. GOVERNOR
19. AIR CLEANER MUFFLER
20. MAGNET RECOIL

Fig. No. Fig. Name

MODEL YK300SF

21. MAIN CLUTCH
22. MISSION HOUSING 1
23. MISSION HOUSING 2
24. SPEED CHANGE
25. FRAME FENDER
26. HANDLE
27. LEVER CABLE
28. BELT COVER
29. TOOL
30. LABEL

MODEL YK350SF(KF34G)

31. CYLINDER BLOCK
32. CAM SHAFT
33. CRANK SHAFT PISTON
34. GOVERNOR
35. AIR CLEANER MUFFLER
36. MAGNET RECOIL

MODEL YK350SF

37. MAIN CLUTCH
38. MISSION HOUSING 1
39. MISSION HOUSING 2

Contents

Fig. No. Fig. Name

- 40. SPEED CHANGE
- 41. FRAME FENDER
- 42. HANDLE
- 43. LEVER CABLE
- 44. BELT COVER
- 45. TOOL
- 46. LABEL

MODEL YK450SF(KF53-A)

- 47. CYLINDER BLOCK
- 48. CAM SHAFT
- 49. CRANK SHAFT PISTON
- 50. GOVERNOR
- 51. AIR CLEANER MUFFLER
- 52. MAGNET RECOIL
- 53. MAIN CLUTCH
- 54. MISSION HOUSING
- 55. TRANSMISSION
- 56. SPEED CHANGE
- 57. FRAME & FENDER
- 58. HANDLE
- 59. LEVER & CABLE
- 60. BELT COVER
- 61. TOOL
- 62. LABEL

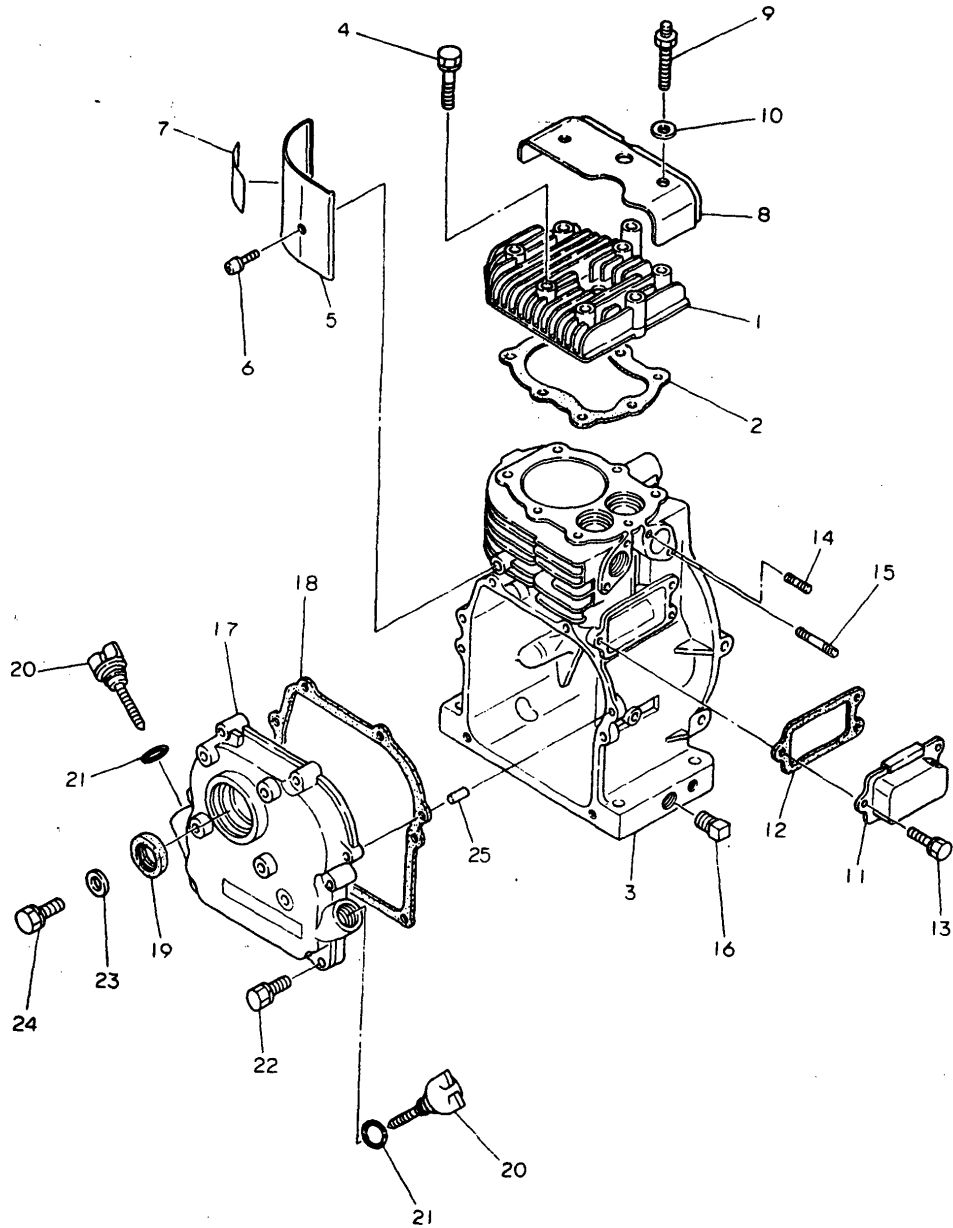
Fig. No. Fig. Name

MODEL YK650SF(KF68GS)

- 63. SYLINDER
- 64. CAM SHAFT
- 65. CRANK SHAFT
- 66. GOVERNOR
- 67. CLEANER.MUFFLER
- 68. MAGNET.RECOIL
- 69. MAIN CLUTCH
- 70. MISSION HOUSING
- 71. TRANSMISSION
- 72. SPEED CHANGE
- 73. FRAME & FENDER
- 74. HANDLE
- 75. LEVER & CABLE
- 76. BELT COVER
- 77. TOOL
- 78. LABEL

Fig.1. CYLINDER BLOCK

1 CYLINDER



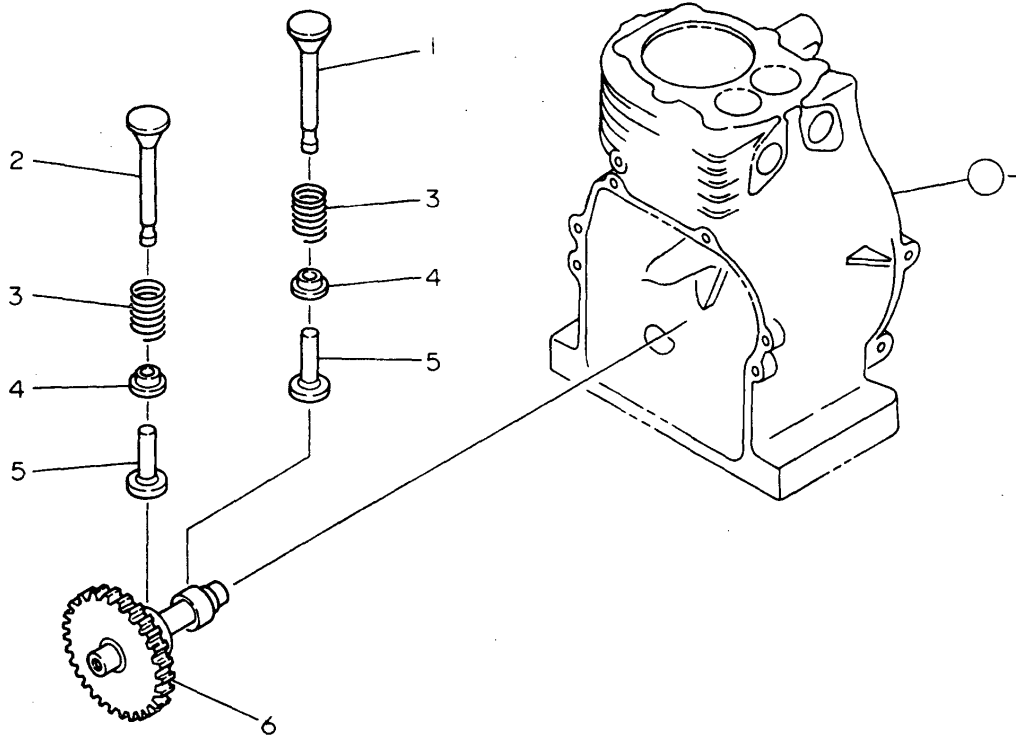
(A)=FA130D-A2
(B)=
(C)=

(D)=
(E)=
(F)=

No.	Lev.	Parts No.	Description	Q'ty						I	R
				(A)	(B)	(C)	(D)	(E)	(F)		
1	1	1Z4401-11110		1							
2	1	1Z4401-11210		1							
3	1	1Z4401-41100		1							
4	1	26011-080502		3							
5	1	1Z4401-16320		1							
6	1	26021-050102		1							
7	1	1Z4405-08131		1							
8	1	1Z4405-16310		1							
9	1	1Z4405-11810		4							
10	1	22117-080000	WASHER, 8	4							
11	1	1Z4401-12310		1							
12	1	1Z4401-12320		1							
13	1	26011-060122		3							
14	1	26217-060202		1							
15	1	26217-060382		1							
16	1	1Z4401-74410		1							
17	1	1Z4496-41200		1							
18	1	1Z4401-41240		1							
19	1	1Z4401-42310		1							
20	1	1Z4401-74110		2							
21	1	24311-000150	O-RING, 1AP15.0	2							
22	1	1Z0011-06280		6							
23	1	1Z3252-23800		1							
24	1	1Z0014-08250		1							

Fig.2. CAM SHAFT

2 CAM SHAFT



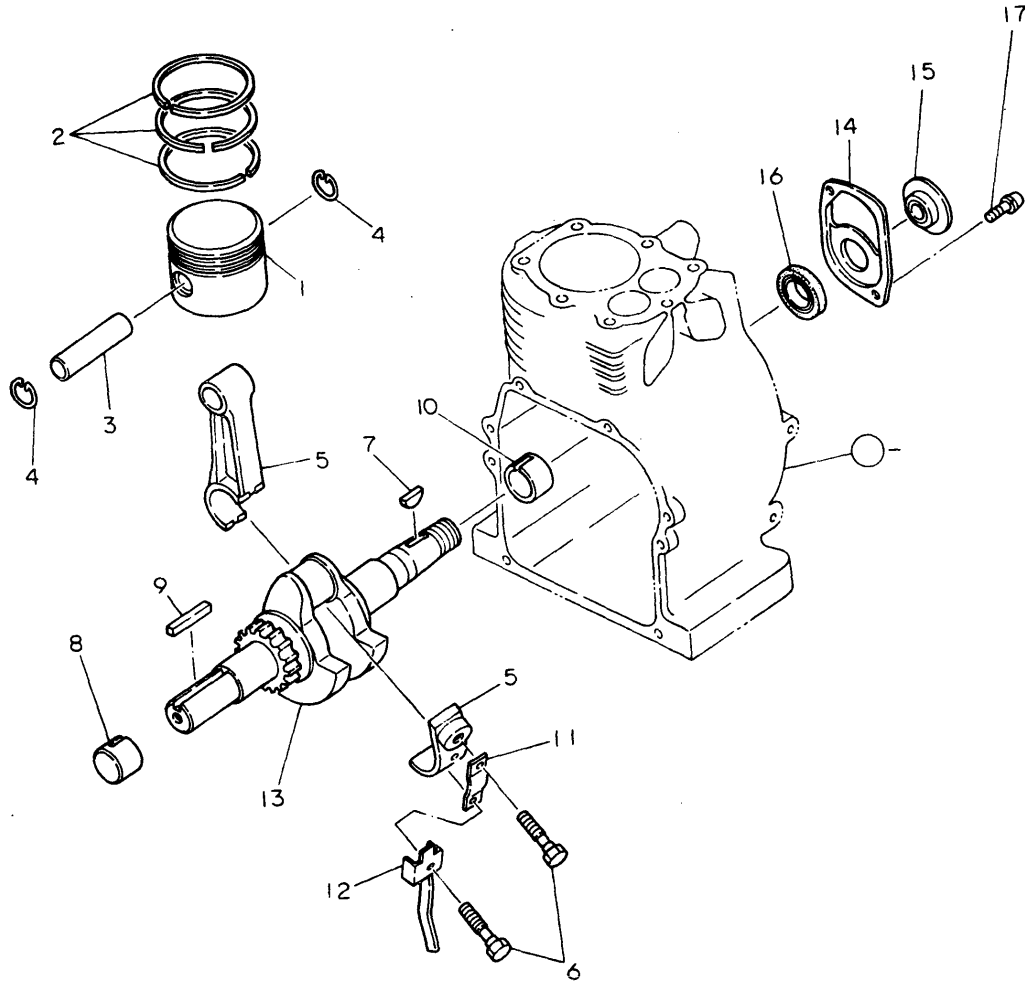
(A)=FA130D-A2
(B)=
(C)=

(D)=
(E)=
(F)=

No.	Lev.	Parts No.	Description	Q'ty						I	R
				(A)	(B)	(C)	(D)	(E)	(F)		
1	1	1Z4400-21110		1							
2	1	1Z4401-21120		1							
3	1	1Z4401-21130		2							
4	1	1Z4401-21160		2							
5	1	1Z4401-22110		2							
6	1	1Z4401-23110		1							

Fig.3. CRANKSHAFT PISTON

3 CRANK SHAFT



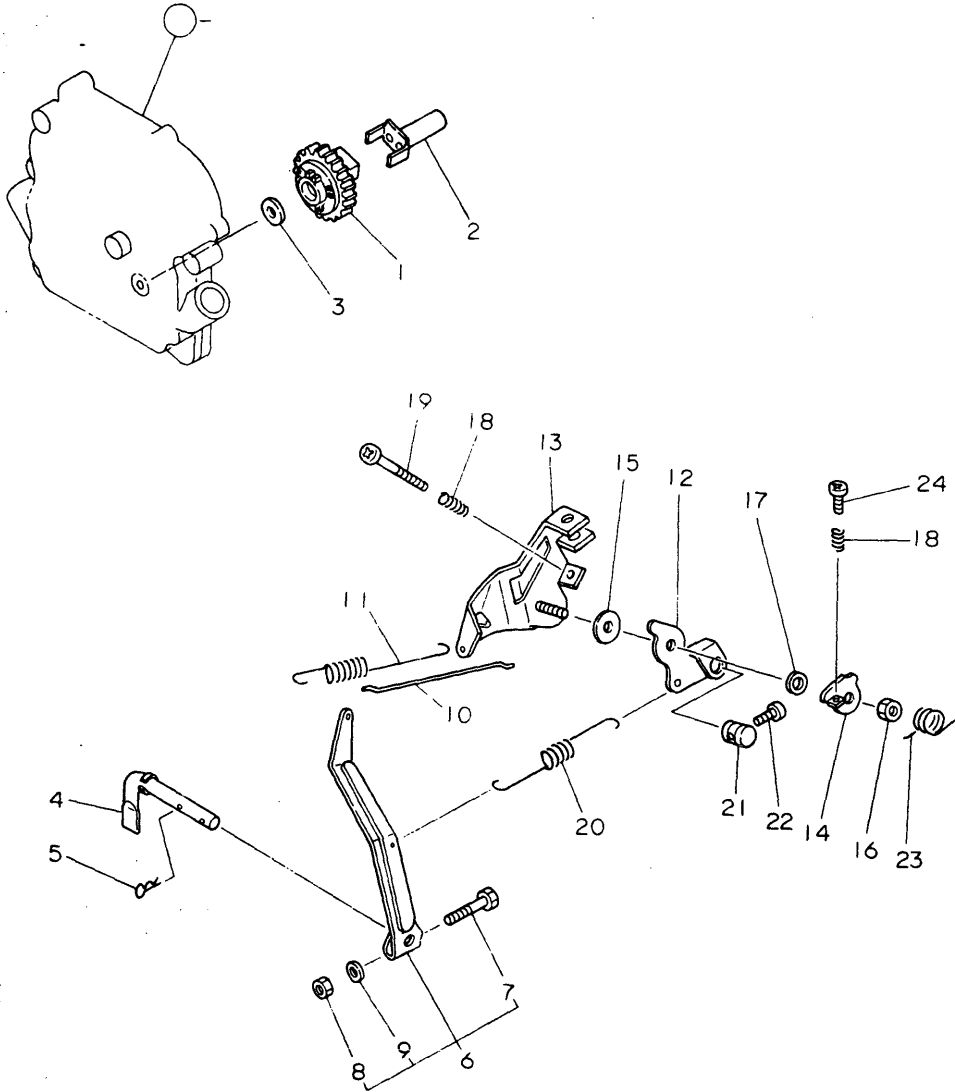
(A)=FA130D-A2
(B)=
(C)=

(D)=
(E)=
(F)=

No.	Lev.	Parts No.	Description	Q'ty						I	R
				(A)	(B)	(C)	(D)	(E)	(F)		
1	1	1Z4401-31110		1							
2	1	1Z4401-30100		1							
3	1	1Z4401-31210		1							
4	1	1Z4401-31220		2							
5	1	1Z4401-32400		1							
6	1	1Z4401-32450		2							
7	1	1Z3650-23710		1							
8	1	1Z4401-42110		1							
9	1	1Z4405-32721		1							
10	1	1Z4401-42110		1							
11	1	1Z4401-32480		1							
12	1	1Z4401-32490		1							
13	1	1Z4405-32110		1							
14	1	1Z4401-81720		1							
15	1	1Z4401-84140		1							
16	1	1Z4401-42310		1							
17	1	26021-040082		2							

Fig.4. GOVERNOR

4 GOVERNOR



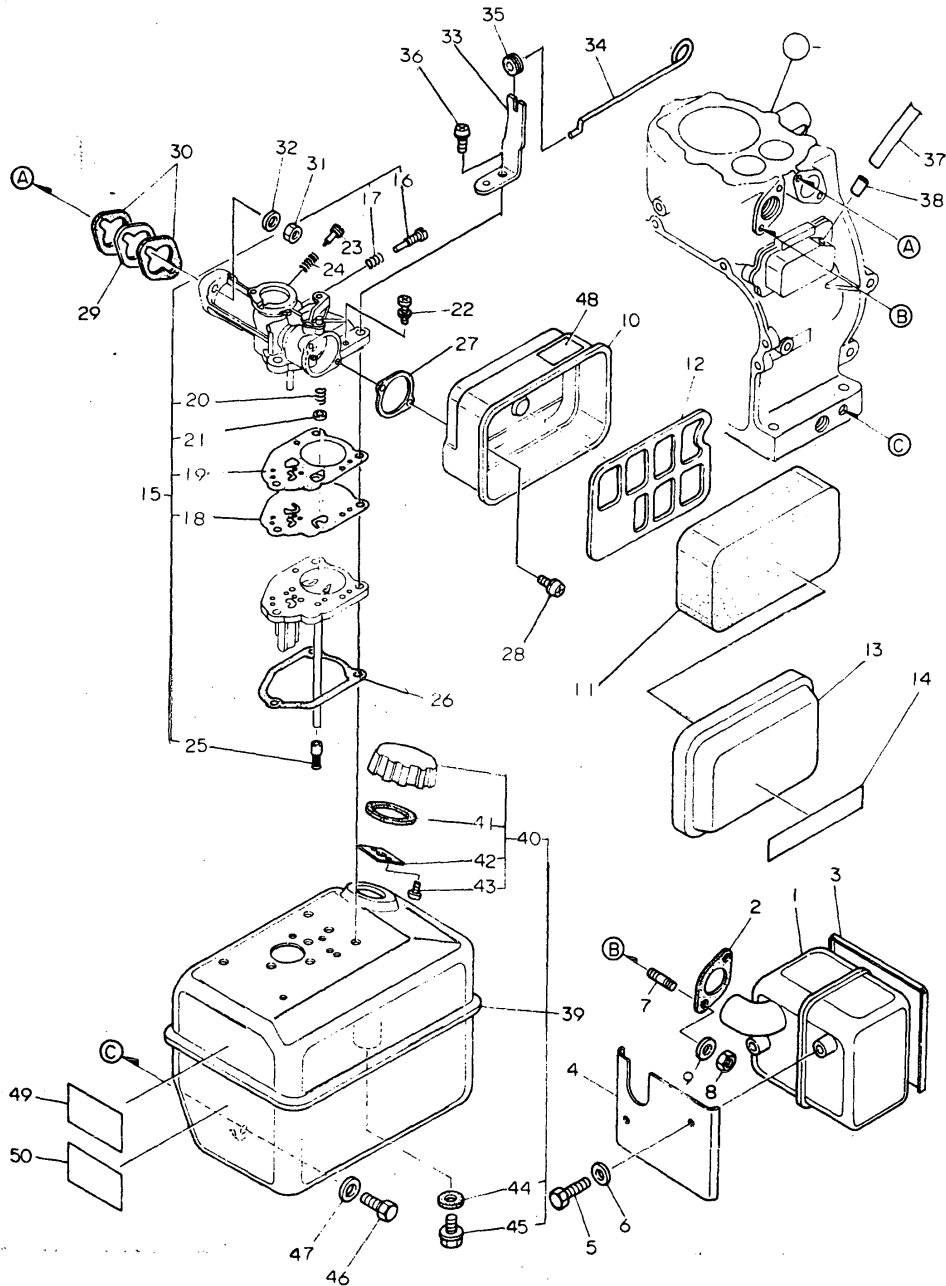
(A)=FA130D-A2
(B)=
(C)=

(D)=
(E)=
(F)=

No.	Lev.	Parts No.	Description	Qty						I	R
				(A)	(B)	(C)	(D)	(E)	(F)		
1	1	1Z4401-51100		1							
2	1	1Z4401-51210		1							
3	1	1Z4401-51350		1							
4	1	1Z4401-51220		1							
5	1	22360-060000	PIN, SNAP 6	1							
6	1	1Z4401-52101		1							
7	2	1Z0011-06220		1							
8	2	26716-060002	NUT, M6	1							
9	2	22137-060000	WASHER, 6	1							
10	1	1Z4401-52310		1							
11	1	1Z3650-52320		1							
12	1	1Z4405-53111		1							
13	1	1Z4401-53350		1							
14	1	1Z4401-53371		1							
15	1	1Z4401-53830		1							
16	1	1Z4401-53850		1							
17	1	1Z4401-53880		1							
18	1	1Z4401-53210		2							
19	1	26557-040252	SCREW, M4X25	1							
20	1	1Z4401-53140		1							
21	1	1Z4496-53120		1							
22	1	26557-040082	SCREW, M4X 8	1							
23	1	1Z4406-53170		1							
24	1	26557-040202	SCREW, M4X20	1							

Fig.5. AIR CLEANER MUFFLER

5 CLEANER.MUFFLER



(A)=FA130D-A2

(B)=

(C)=

(D)=

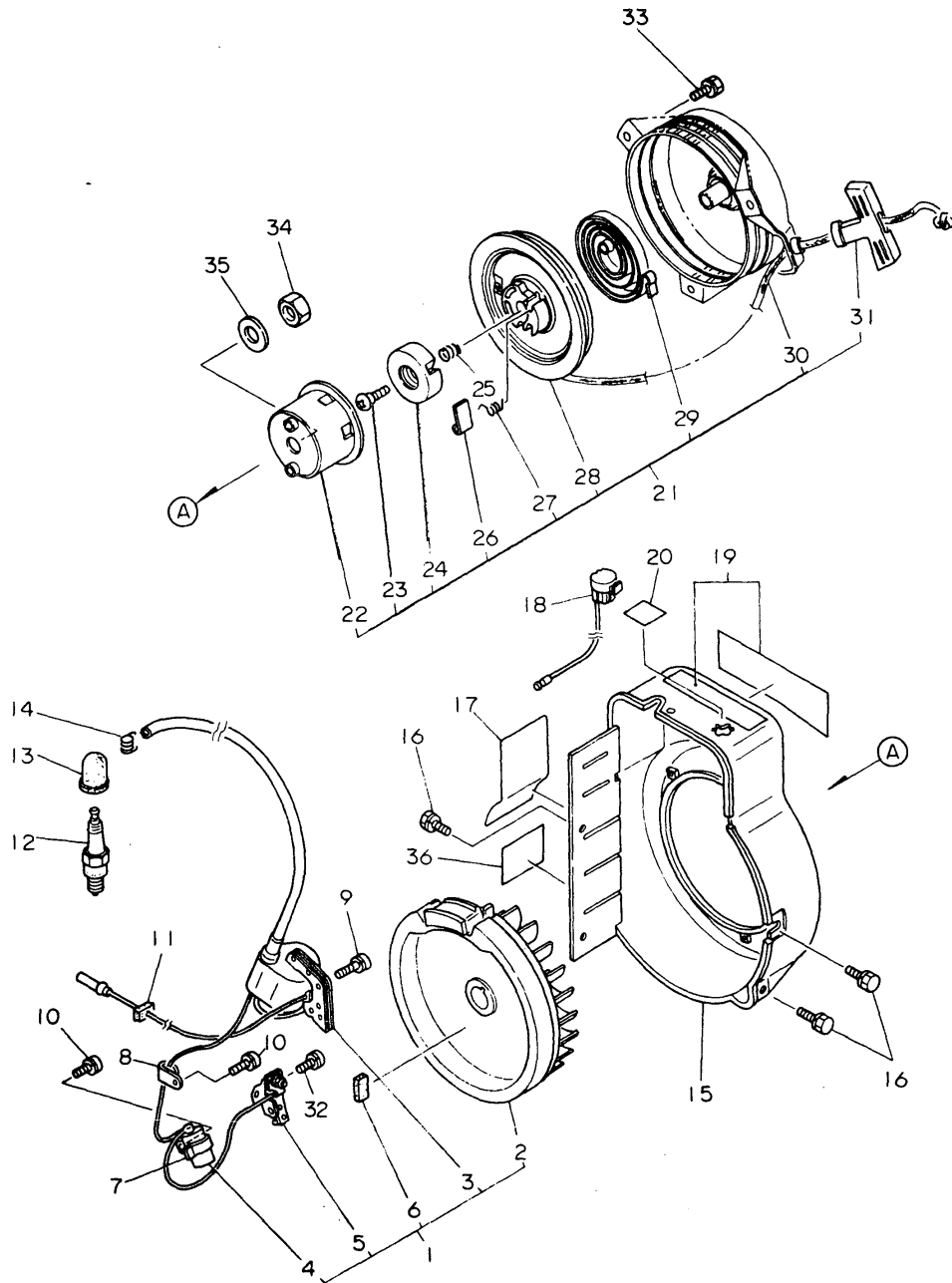
(E)=

(F)=

No.	Lev.	Parts No.	Description	Q'ty						I	R
				(A)	(B)	(C)	(D)	(E)	(F)		
1	1	1Z4413-14100		1							
2	1	1Z4496-14420		1							
3	1	1Z4413-14320		1							
4	1	1Z4414-14311		1							
5	1	26116-060082	BOLT, M6X 8 PLATED	6							
6	1	22137-060000	WASHER, 6	6							
7	1	26216-060162	STUD, M6X 16	2							
8	1	26716-060002	NUT, M6	2							
9	1	22137-060000	WASHER, 6	2							
10	1	1Z4413-13110		1							
11	1	1Z4401-13120		1							
12	1	1Z4401-13130		1							
13	1	1Z4401-13210		1							
14	1	1Z4496-08270		1							
15	1	1Z4401-61001		1							
16	2	1Z4401-61140		1							
17	2	1Z4401-61160		1							
18	2	1Z4401-61600		1							
19	2	1Z4401-61710		1							
20	2	1Z4401-61640		1							
21	2	1Z4401-61670		1							
22	2	1Z4401-61430		2							
23	2	1Z4401-61150		1							
24	2	1Z1509-61170		1							
25	2	1Z2801-61680		1							
26	1	1Z4401-61311		1							
27	1	1Z4401-13320		1							
28	1	26021-050102		2							
29	1	1Z4401-61810		1							
30	1	1Z4401-61840		2							
31	1	26716-060002	NUT, M6	2							
32	1	22137-060000	WASHER, 6	2							
33	1	1Z4413-13510		1							
34	1	1Z4405-55130		1							
35	1	1Z7196-55150		1							
36	1	1Z4413-13160		3							
37	1	23061-070100		1							
38	1	1Z4401-13410		1							
39	1	1Z4413-66100		1							
40	2	1Z4401-66400		1							
41	3	1Z4401-66431		1							
42	3	1Z4401-66440		1							
43	3	1Z4401-67320		2							
44	2	1Z8290-74470		1							
45	2	1Z4412-65250		1							
46	1	1Z0011-08160		1							
47	1	1Z4401-66810		1							
48	1	1Z6671-08260		1							
49	1	1Z5479-08510		1							
50	1	1Z5479-08220		1							

Fig.6. MAGNET RECOIL

6 MAGNETO.RECOIL



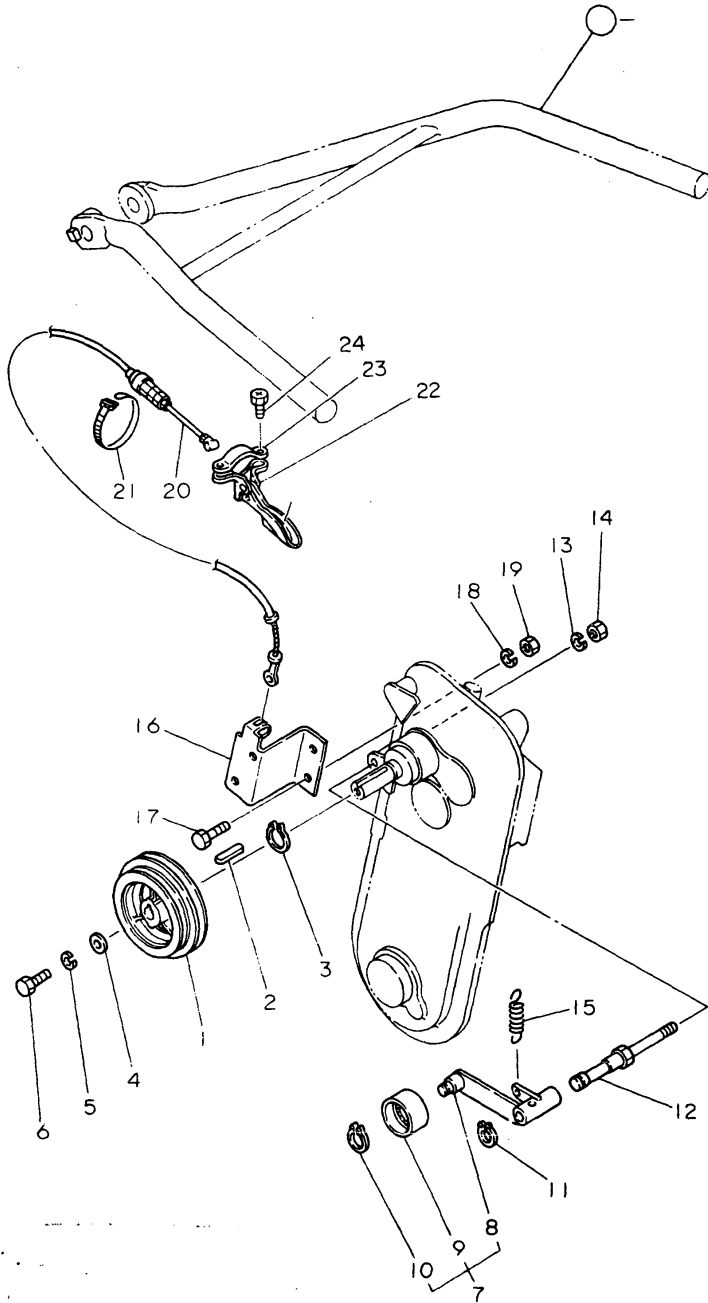
(A)=FA130D-A2
(B)=
(C)=

(D)=
(E)=
(F)=

No.	Lev.	Parts No.	Description	Q'ty						I	R
				(A)	(B)	(C)	(D)	(E)	(F)		
1	1	1Z4401-81100		1							
2	2	1Z4401-81110		1							
3	2	1Z4401-81230		1							
4	2	1Z4401-84360		1							
5	2	1Z4401-84400		1							
6	2	1Z4401-81420		1							
7	1	1Z4401-81290		1							
8	1	1Z4401-81610		1							
9	1	26021-050162		2							
10	1	26021-040082		2							
11	1	1Z4401-81640		1							
12	1	1Z4401-84100		1							
13	1	1Z7270-84180		1							
14	1	1Z7270-84190		1							
15	1	1Z4405-16111		1							
16	1	26011-060102		5							
17	1	1Z4405-08140		1							
18	1	1Z4401-85110		1							
19	1	1Z4405-08100		1							
20	1	1Z4496-16270		1							
21	1	1Z4402-34300		1							
22	2	1Z4401-34320		1							
23	2	1Z4401-34470		1							
24	2	1Z4401-34490		1							
25	2	1Z4401-34460		1							
26	2	1Z4401-34450		1							
27	2	1Z4401-34440		1							
28	2	1Z4401-34410		1							
29	2	1Z4401-34520		1							
30	2	1Z4412-34530		1							
31	2	1Z4401-34600		1							
32	1	26021-040102		1							
33	1	26011-060102		3							
34	1	26736-140002	NUT, M14	1							
35	1	1Z4401-34820		1							
36	1	1Z5483-08510		1							

Fig.7. MAIN CLUTCH

7 MAIN CLUTCH



(A)=YK250F

(B)=

(C)=

(D)=

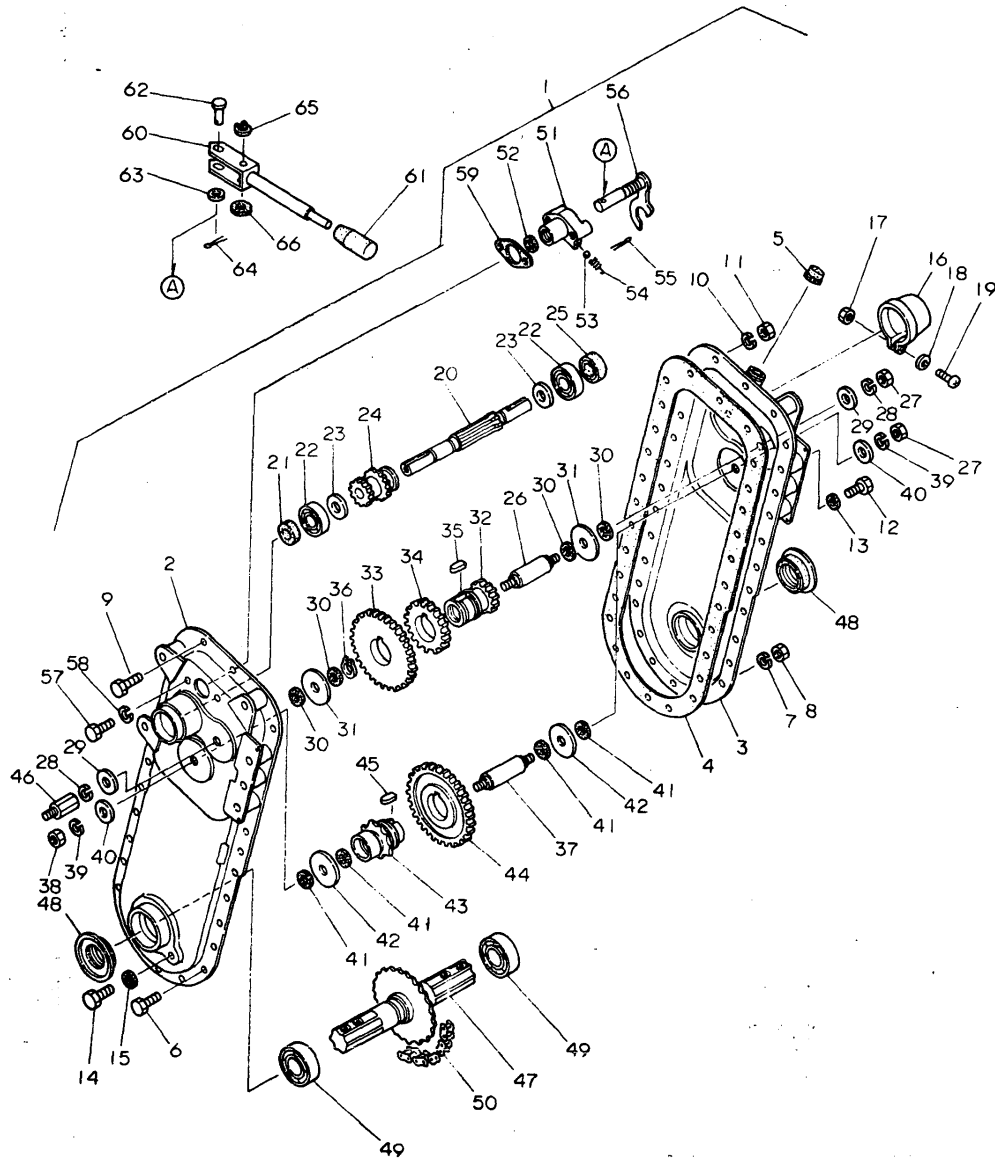
(E)=

(F)=

No.	Lev.	Parts No.	Description	Q'ty						I	R
				(A)	(B)	(C)	(D)	(E)	(F)		
1	1	1A1400-11000		1							
2	1	1A1400-16800		1							
3	1	22242-000140	RING, 14	1							
4	1	1C6020-73090	WASHER, 7X19X1.6	1							
5	1	22217-060000	WASHER, SPRING 6	1							
6	1	26117-060252		1							
7	1	7A1400-10000		1							
8	2	1A1400-11200		1							
9	2	1A1400-14000		1							
10	2	22242-000170	RING, 17	1							
11	1	22242-000140	RING, 14	1							
12	1	1A1400-16401		1							
13	1	22217-080000	WASHER, SPRING 8	1							
14	1	26717-080002	NUT, M8	1							
15	1	1A1105-16001		1							
16	1	1A1400-11250		1							
17	1	26117-080162		2							
18	1	22217-080000	WASHER, SPRING 8	2							
19	1	26717-080002	NUT, M8	2							
20	1	1A1401-17100		1							
21	1	1A1105-54670		1							
22	1	1A1310-17000		1							
23	1	1A1102-57390		1							
24	1	26557-060222		2							

Fig.8. MISSION HOUSING

8 MISSION HOUSING



(A)=YK250F

(B)=

(C)=

(D)=

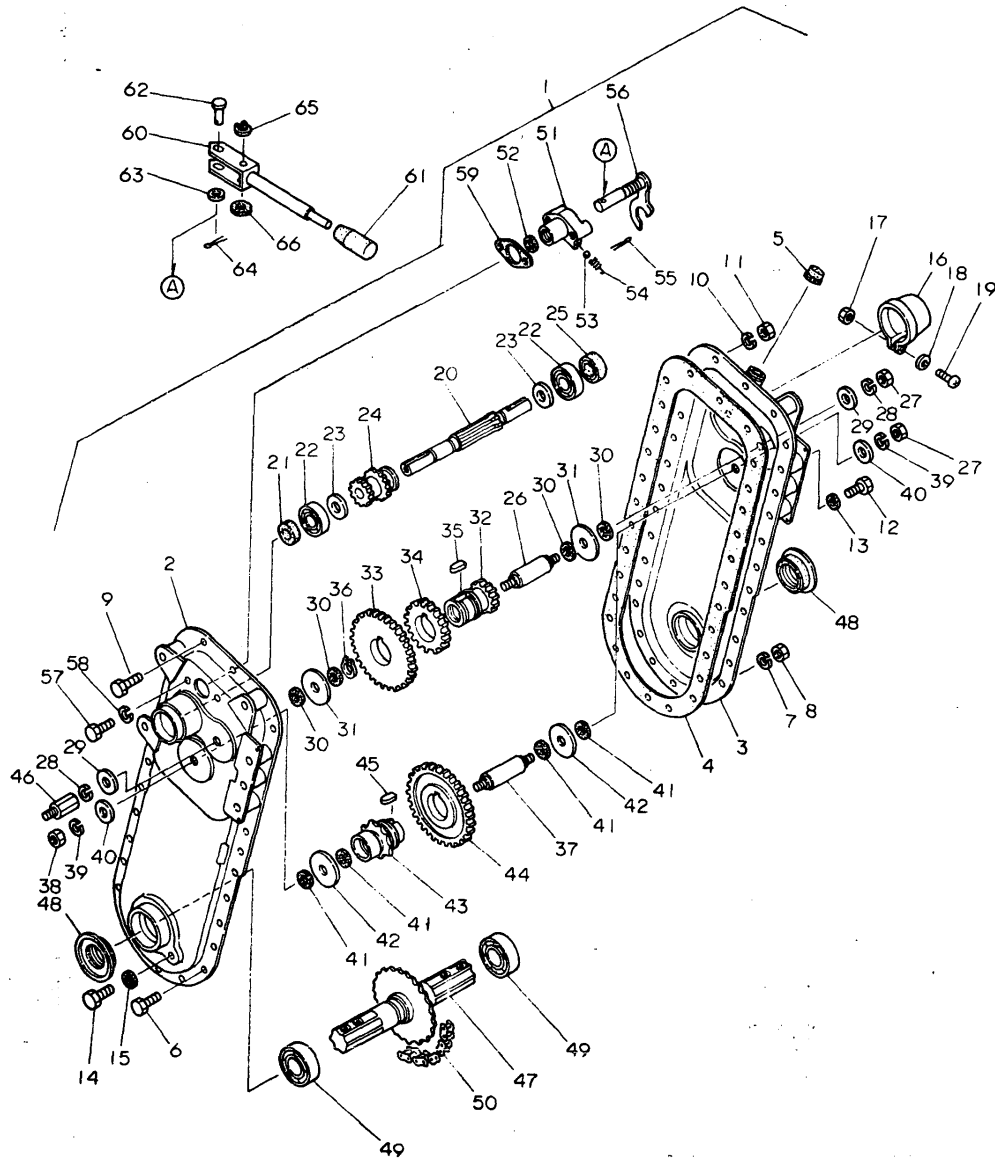
(E)=

(F)=

No.	Lev.	Parts No.	Description	Qty						I	R
				(A)	(B)	(C)	(D)	(E)	(F)		
1	1	7A1401-20001		1							
2	2	1A1401-21001		1							
3	2	1A1401-21151		1							
4	2	1A1400-28000		1							
5	2	1A1105-28100		1							
6	2	26117-060102		12							
7	2	22217-060000	WASHER, SPRING 6	12							
8	2	26717-060002	NUT, M6	12							
9	2	26117-080142	BOLT, M8X 14 PLATED	7							
10	2	22217-080000	WASHER, SPRING 8	7							
11	2	26717-080002	NUT, M8	7							
12	2	26117-060102		1							
13	2	1A1105-28010		1							
14	2	26117-080102		1							
15	2	1A1105-28020		1							
16	2	1A1105-21300		1							
17	2	26717-050002	NUT, M5	1							
18	2	22137-050000	WASHER, 5	1							
19	2	26557-050252	SCREW, M5X25	1							
20	2	1A1400-25000		1							
21	2	1A1400-28140		1							
22	2	24101-062024	BEARING, BALL 6202	2							
23	2	22137-140000	WASHER, 14	2							
24	2	1A1400-24001		1							
25	2	1A1120-28140		1							
26	2	1A1400-25040		1							
27	2	26717-080002	NUT, M8	2							
28	2	22217-080000	WASHER, SPRING 8	2							
29	2	1A1400-23200		2							
30	2	192140-28100		4							
31	2	1A1400-23100		2							
32	2	1A1400-24030		1							
33	2	1A1400-24010		1							
34	2	1A1400-24020		1							
35	2	1A1105-25200		1							
36	2	22242-000280	RING, 28	1							
37	2	1A1400-25040		1							
38	2	26717-080002	NUT, M8	1							
39	2	22217-080000	WASHER, SPRING 8	2							
40	2	1A1400-23200		2							
41	2	192140-28100		4							
42	2	1A1400-23100		2							
43	2	1A1400-24050		1							
44	2	1A1400-24060		1							
45	2	1A1104-25201		1							
46	2	1A1400-23300		1							
47	2	1A1400-25110		1							
48	2	1A1400-28250		2							
49	2	24101-060054	BEARING, BALL 6005	2							
50	2	1A1400-24200		1							
51	2	1A1400-27100		1							

Fig.8. MISSION HOUSING

8 MISSION HOUSING



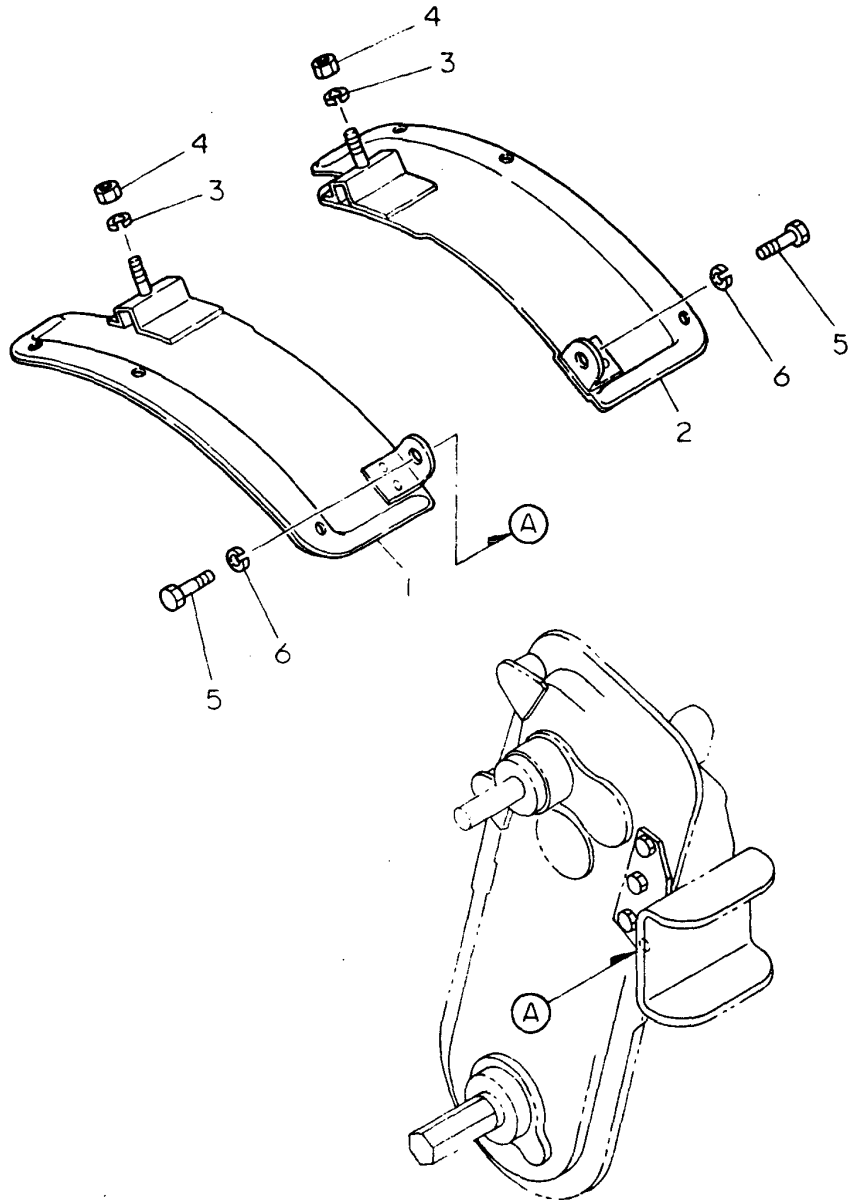
(A)=YK250F
(B)=
(C)=

(D)=
(E)=
(F)=

No.	Lev.	Parts No.	Description	Qty						I	R
				(A)	(B)	(C)	(D)	(E)	(F)		
52	2	1A1104-28230		1							
53	2	1A1400-26600		1							
54	2	1A1400-26110		1							
55	2	22411-200180		1							
56	2	1A1400-27020		1							
57	2	26117-060162		2							
58	2	22217-060000	WASHER, SPRING 6	2							
59	2	1A1400-28040		1							
60	1	1A1400-27300		1							
61	1	1D2040-15480		1							
62	1	1A1320-56150		1							
63	1	22137-060000	WASHER, 6	1							
64	1	22417-200100		1							
65	1	22242-000100	RING, 10	1							
66	1	192140-28100		1							

Fig.9. FENDER

9 FENDER



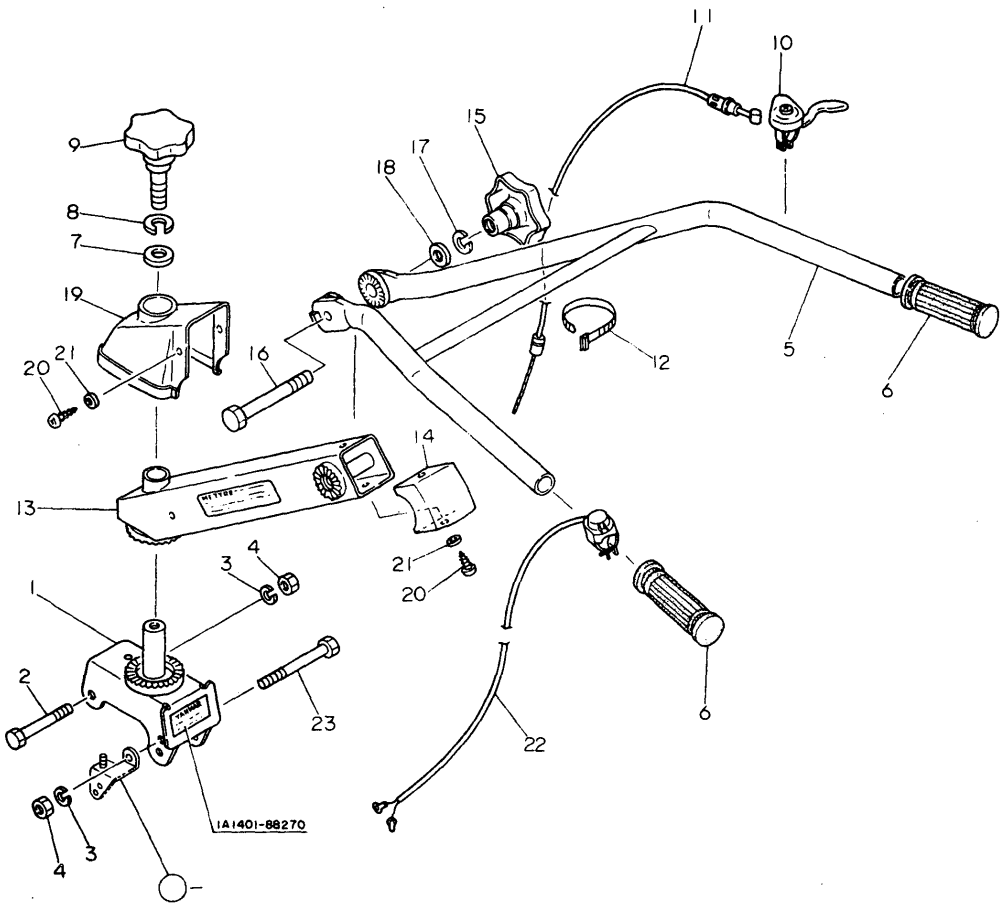
(A)=YK250F
(B)=
(C)=

(D)=
(E)=
(F)=

No.	Lev.	Parts No.	Description	Q'ty						I	R
				(A)	(B)	(C)	(D)	(E)	(F)		
1	1	1A1400-31000		1							
2	1	1A1400-31010		1							
3	1	22217-080000	WASHER, SPRING 8	2							
4	1	26717-080002	NUT, M8	2							
5	1	26117-080142	BOLT, M8X 14 PLATED	2							
6	1	22217-080000	WASHER, SPRING 8	2							

Fig.10. HANDLE

10 HANDLE



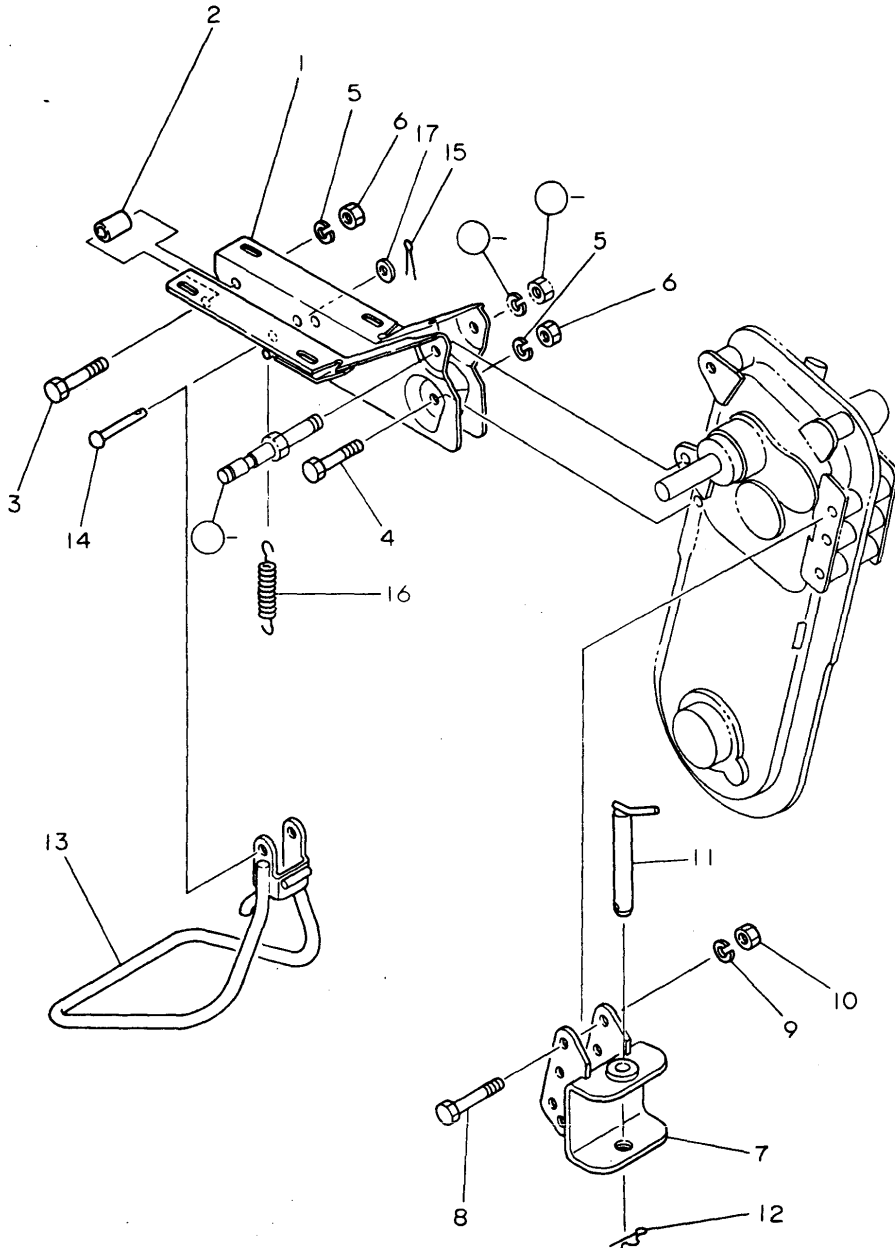
(A)=YK250F
(B)=
(C)=

(D)=
(E)=
(F)=

No.	Lev.	Parts No.	Description	Q'ty						I	R
				(A)	(B)	(C)	(D)	(E)	(F)		
1	1	1A1400-51071		1							
2	1	26117-080652		1							
3	1	22217-080000	WASHER, SPRING 8	2							
4	1	26717-080002	NUT, M8	2							
5	1	1A1401-51400		1							
6	1	1A1105-51630		2							
7	1	1A1104-53200		1							
8	1	22217-140000	WASHER, SPRING 14	1							
9	1	1A1104-52001		1							
10	1	1A1401-57500		1							
11	1	1A1401-54400		1							
12	1	1A1105-54670		1							
13	1	1A1401-51550		1							
14	1	1A1401-51650		1							
15-1	1	1A1401-52100		1							
15-2	1	1A1102-57100		1							
16	1	26117-101202		1							
17	1	22217-100000	WASHER, SPRING 10	1							
18	1	22137-100000	WASHER, 10	1							
19	1	1A1400-51660		1							
20	1	1A1400-56130		4							
21	1	22137-050000	WASHER, 5	4							
22	1	1A1401-54220		1							
23	1	26117-080702	BOLT, M8X 70 PLATED	1							

Fig.11. FRONT FRAME

11 FRONT FRAME



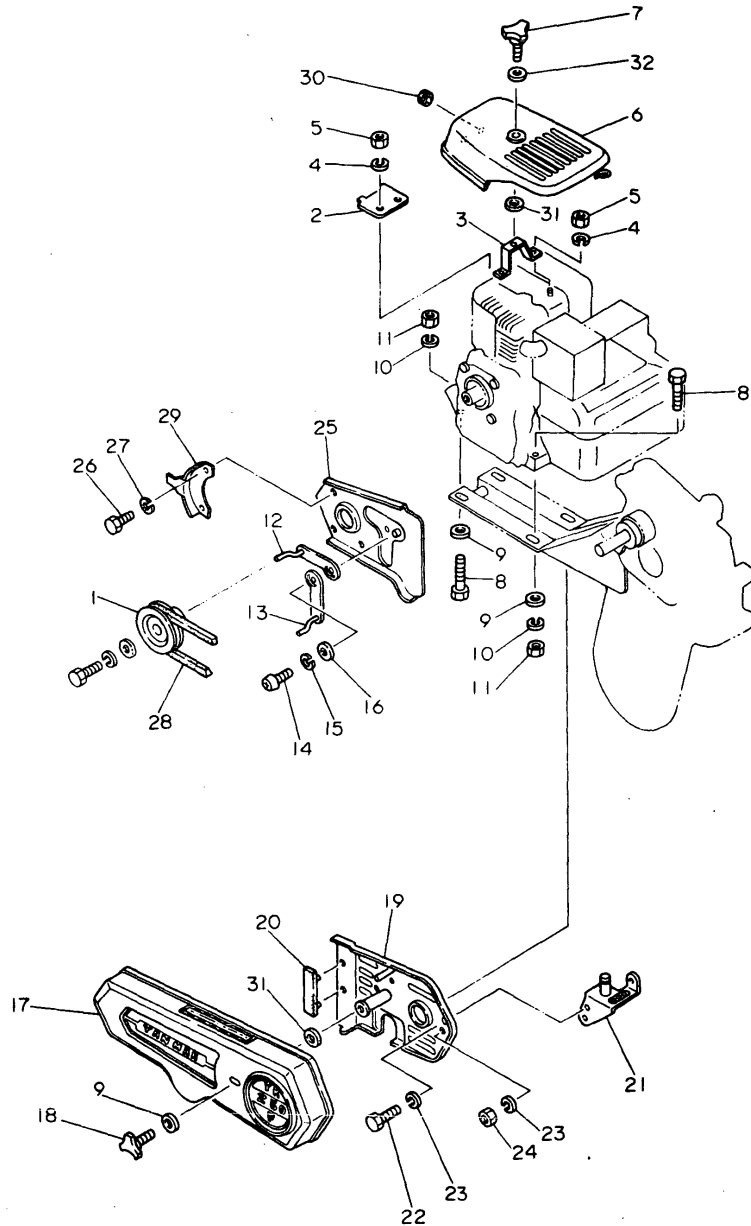
(A)=YK250F
(B)=
(C)=

(D)=
(E)=
(F)=

No.	Lev.	Parts No.	Description	Q'ty						I	R
				(A)	(B)	(C)	(D)	(E)	(F)		
1	1	1A1401-61000		1							
2	1	1A1400-63050		1							
3	1	26117-080452		1							
4	1	26116-080302	BOLT, M8X 30 PLATED	1							
5	1	22217-080000	WASHER, SPRING 8	2							
6	1	26717-080002	NUT, M8	2							
7	1	1A1401-61151		1							
8	1	26116-080652	BOLT, M8X 65 PLATED	3							
9	1	22217-080000	WASHER, SPRING 8	3							
10	1	26717-080002	NUT, M8	3							
11	1	1A1105-66200		1							
12	1	22360-160000	PIN, SNAP 16	1							
13	1	1A1400-65001		1							
14	1	1A1400-66200		1							
15	1	22417-300160		1							
16	1	1A1104-66000		1							

Fig.12. BELT COVER

12 BELT COVER



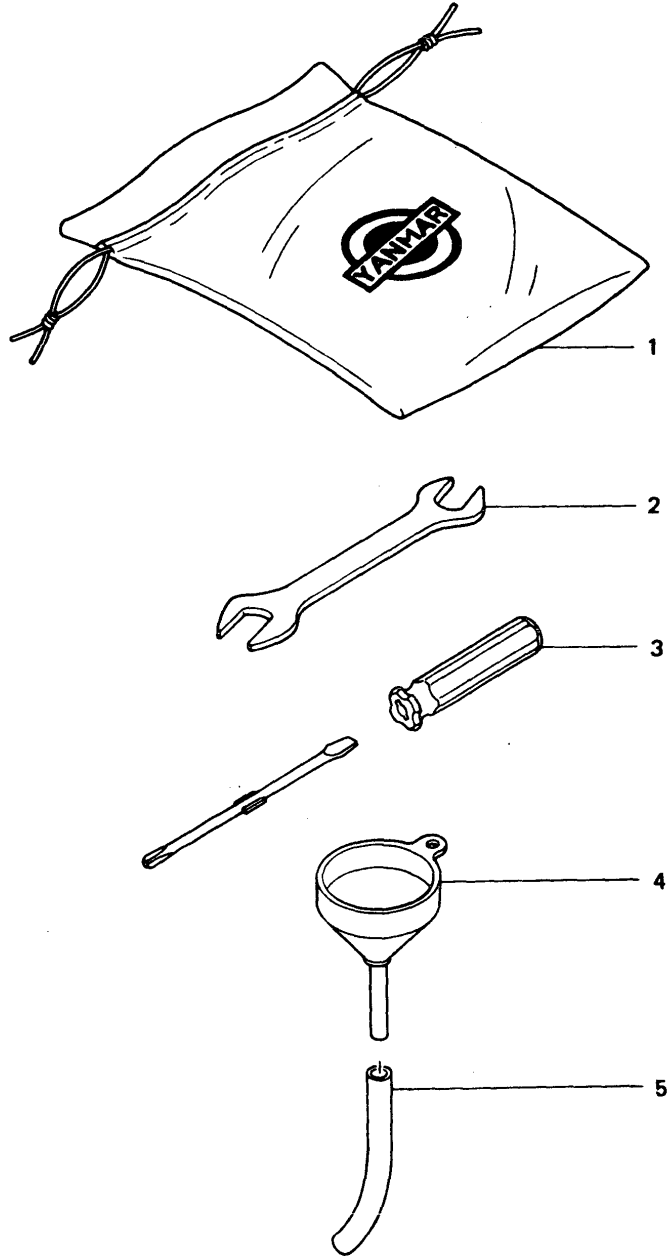
(A)=YK250F
(B)=
(C)=

(D)=
(E)=
(F)=

No.	Lev.	Parts No.	Description	Q'ty						I	R
				(A)	(B)	(C)	(D)	(E)	(F)		
1	1	1A1401-62400		1							
2	1	1A1107-62200		1							
3	1	1A1107-62210		1							
4	1	22217-080000	WASHER, SPRING 8	4							
5	1	26717-080002	NUT, M8	4							
6	1	1A1107-62100		1							
7	1	1A1108-66400		1							
8	1	26117-080402		4							
9	1	22137-080000	WASHER, 8	6							
10	1	22217-080000	WASHER, SPRING 8	4							
11	1	26717-080002	NUT, M8	4							
12	1	1A1360-74050		1							
13	1	1A1360-74100		1							
14	1	26117-060129		1							
15	1	22217-060000	WASHER, SPRING 6	1							
16	1	22137-060000	WASHER, 6	1							
17	1	1A1400-64001		1							
18	1	1A1108-66400		1							
19	1	1A1401-64070		1							
20	1	1A1105-68000		1							
21	1	1A1400-64120		1							
22	1	26117-060122		3							
23	1	22217-060000	WASHER, SPRING 6	4							
24	1	26717-060002	NUT, M6	1							
25	1	1A1400-64080		1							
26	1	26117-080162		3							
27	1	22217-080000	WASHER, SPRING 8	3							
28	1	25112-009650		1							
29	1	1A1400-64020		1							
30	1	1H6020-60170		2							
31	1	1A1108-66410		2							
32	1	22137-080000	WASHER, 8	2							

Fig.13. TOOL

13 TOOL



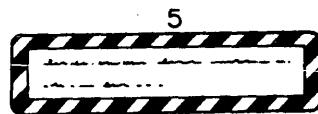
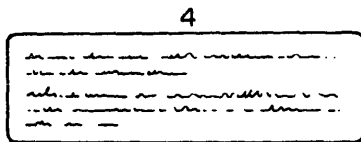
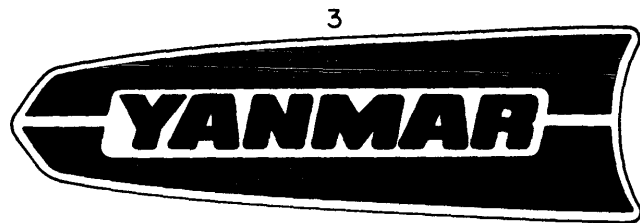
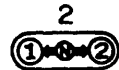
(A)=YK250F
(B)=
(C)=

(D)=
(E)=
(F)=

No.	Lev.	Parts No.	Description	Q'ty						I	R
				(A)	(B)	(C)	(D)	(E)	(F)		
1	1	1D1510-18090		1							
2	1	1D1140-18080		1							
3	1	1D2040-87060		1							
4	1	1A1105-83000		1							
5	1	1A1102-83110		1							

Fig.14. LABEL

14 LABEL



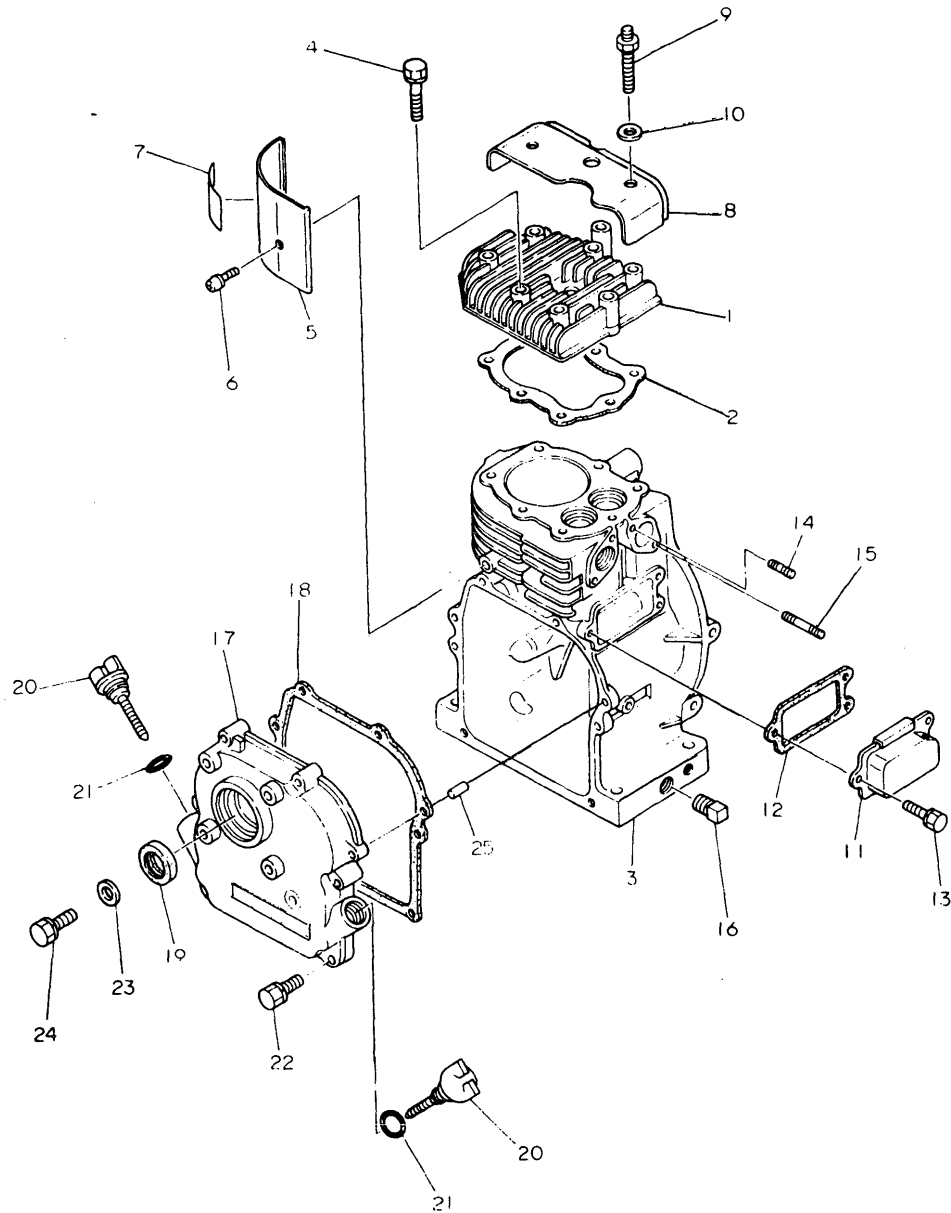
(A)=YK250F
(B)=
(C)=

(D)=
(E)=
(F)=

No.	Lev.	Parts No.	Description	Q'ty						I	R
				(A)	(B)	(C)	(D)	(E)	(F)		
1	1	1A1401-88000		1							
2	1	1A1400-88030		1							
3	1	1A1104-88011		1							
4	1	1A1107-88130		1							
5	1	1A1107-88650		1							
6	1	1A1103-88010		1							

Fig.15. CYLINDER BLOCK

15 CYLINDER



(A)=FA130D-A2B

(B)=

(C)=

(D)=

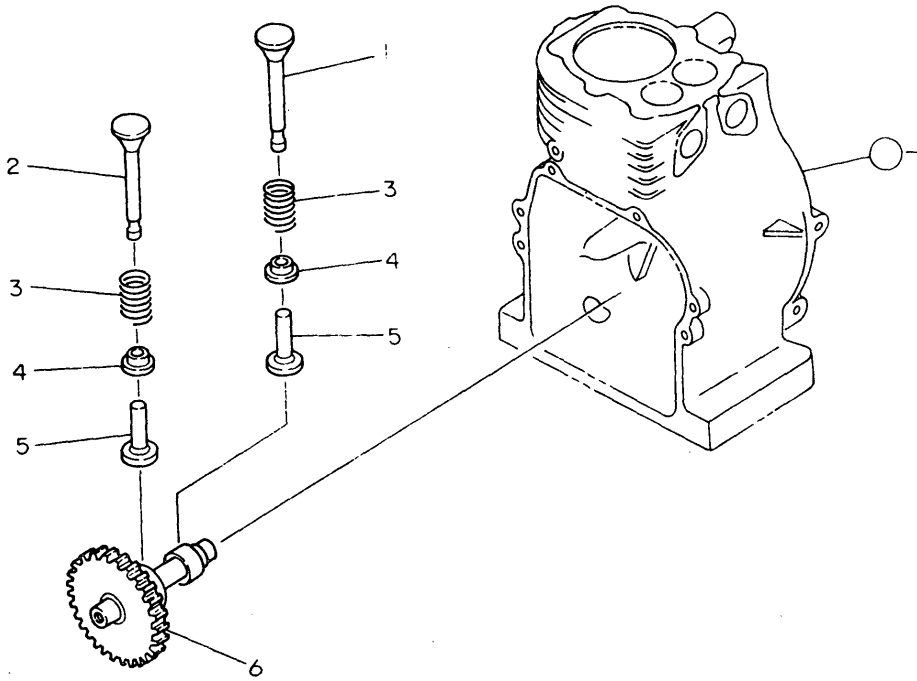
(E)=

(F)=

No.	Lev.	Parts No.	Description	Q'ty						I	R
				(A)	(B)	(C)	(D)	(E)	(F)		
1	1	1Z4401-11110		1							
2	1	1Z4401-11210		1							
3	1	1Z4401-41100		1							
4	1	26011-080502		3							
5	1	1Z4401-16320		1							
6	1	26021-050102		1							
7	1	1Z4405-08131		1							
8	1	1Z4405-16310		1							
9	1	1Z4405-11810		4							
10	1	22117-080000	WASHER, 8	4							
11	1	1Z4401-12310		1							
12	1	1Z4401-12320		1							
13	1	26011-060122		3							
14	1	26217-060202		1							
15	1	26217-060382		1							
16	1	1Z4401-74410		1							
17	1	1Z4496-41200		1							
18	1	1Z4401-41240		1							
19	1	1Z4401-42310		1							
20	1	1Z4401-74110		2							
21	1	24311-000150	O-RING, 1AP15.0	2							
22	1	1Z0011-06280		6							
23	1	1Z3252-23800		1							
24	1	1Z0014-08250		1							

Fig.16. CAM SHAFT

16 CAM SHAFT



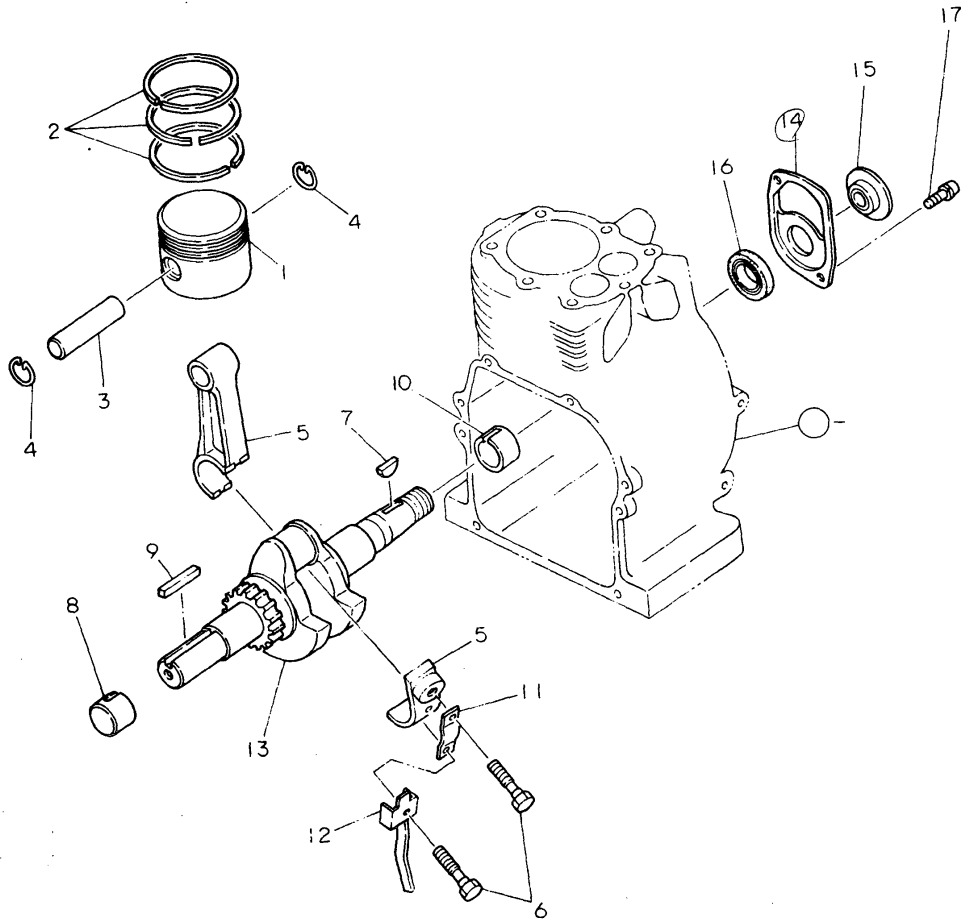
(A)=FA130D-A2B
(B)=
(C)=

(D)=
(E)=
(F)=

No.	Lev.	Parts No.	Description	Q'ty						I	R
				(A)	(B)	(C)	(D)	(E)	(F)		
1	1	1Z4400-21110		1							
2	1	1Z4401-21120		1							
3	1	1Z4401-21130		2							
4	1	1Z4401-21160		2							
5	1	1Z4401-22110		2							
6	1	1Z4401-23110		1							

Fig.17. CRANKSHAFT PISTON

17 CRANK SHAFT



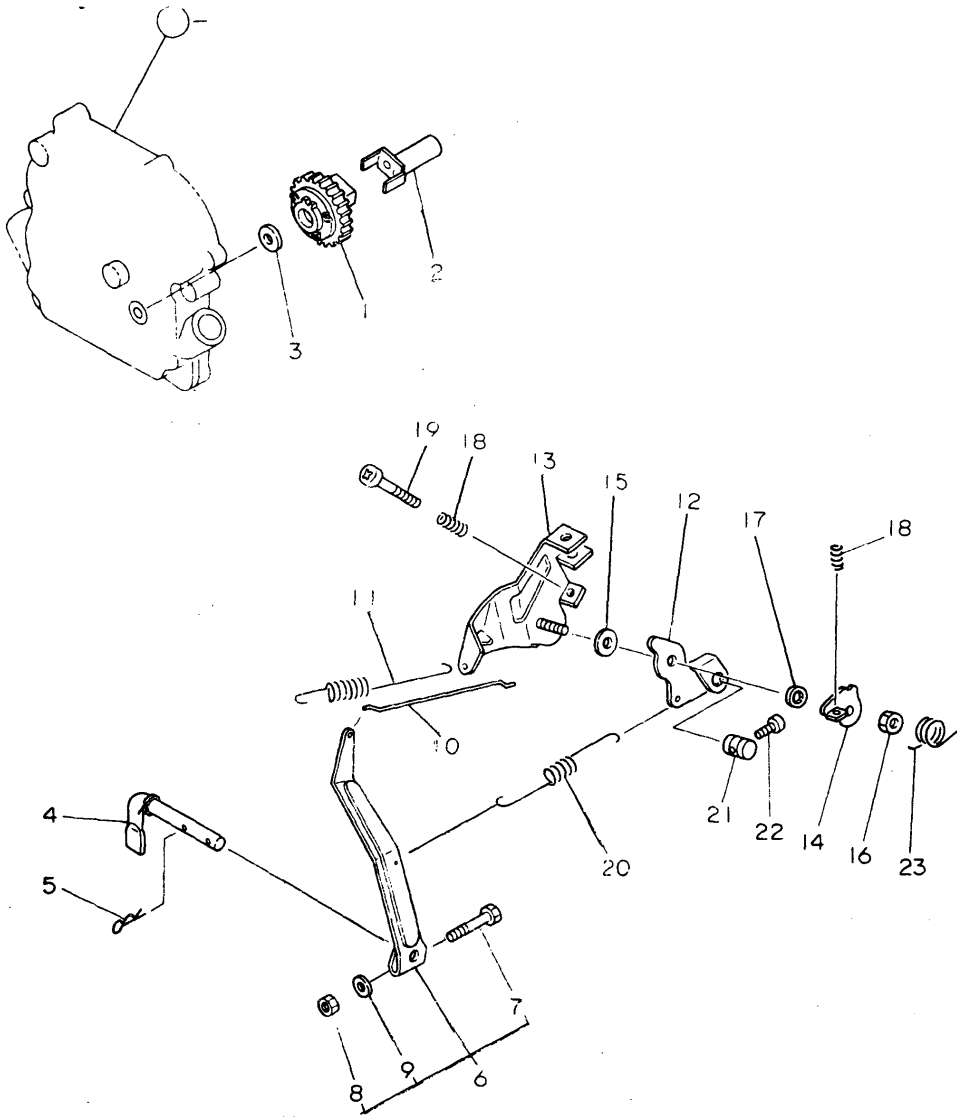
(A)=FA130D-A2B
(B)=
(C)=

(D)=
(E)=
(F)=

No.	Lev.	Parts No.	Description	Qty						I	R
				(A)	(B)	(C)	(D)	(E)	(F)		
1	1	1Z4401-31110		1							
2	1	1Z4401-30100		1							
3	1	1Z4401-31210		1							
4	1	1Z4401-31220		2							
5	1	1Z4401-32400		1							
6	1	1Z4401-32450		2							
7	1	1Z3650-23710		1							
8	1	1Z4401-42110		1							
9	1	1Z4405-32721		1							
10	1	1Z4401-42110		1							
11	1	1Z4401-32480		1							
12	1	1Z4401-32490		1							
13	1	1Z4405-32110		1							
14	1	1Z4401-81720		1							
15	1	1Z4401-84140		1							
16	1	1Z4401-42310		1							
17	1	26021-040082		2							

Fig.18. COVERNOR

18 GOVERNOR



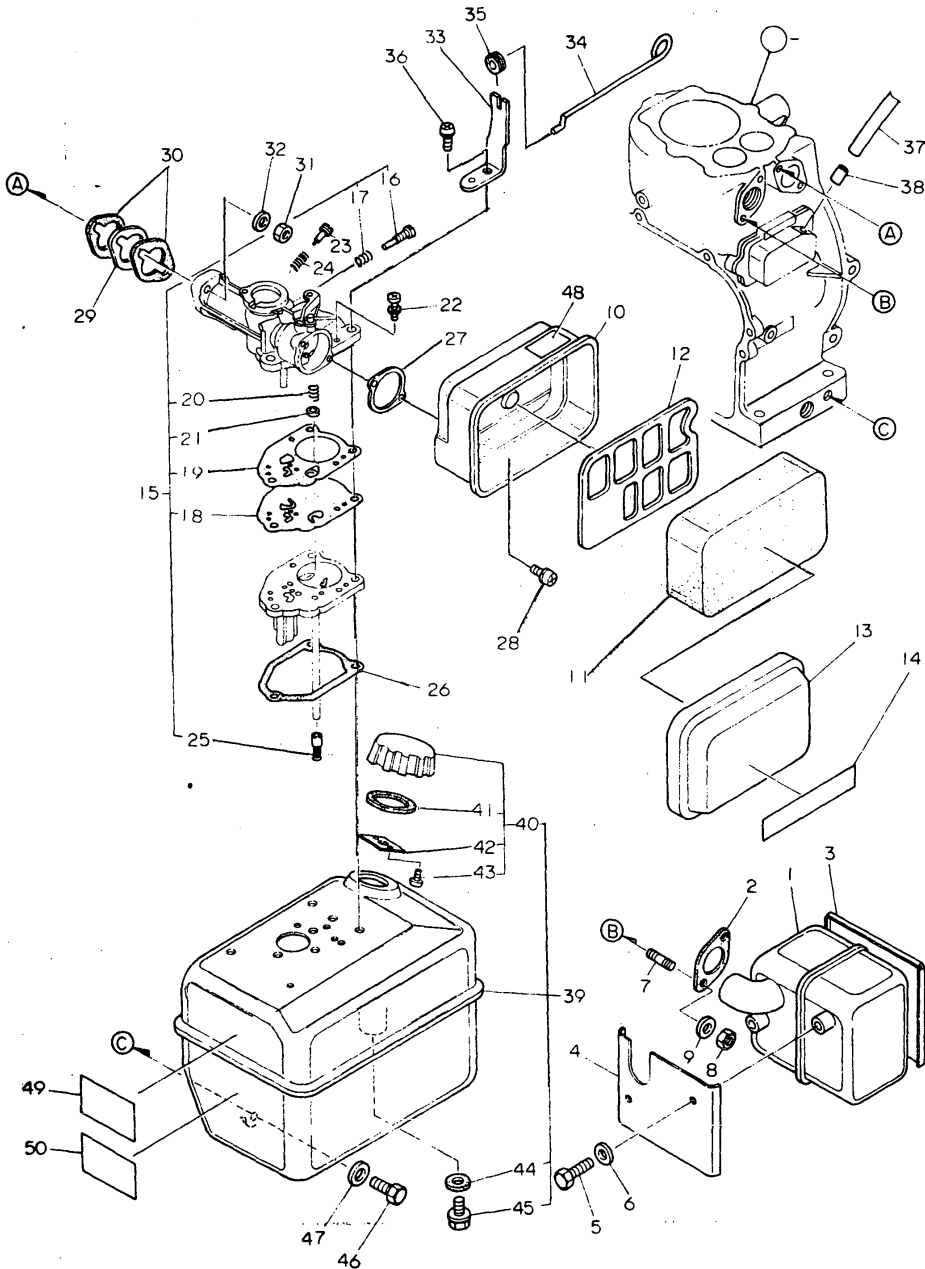
(A)=FA130D-A2B
(B)=
(C)=

(D)=
(E)=
(F)=

No.	Lev.	Parts No.	Description	Q'ty						I	R
				(A)	(B)	(C)	(D)	(E)	(F)		
1	1	1Z4401-51100		1							
2	1	1Z4401-51210		1							
3	1	1Z4401-51350		1							
4	1	1Z4401-51220		1							
5	1	22360-060000	PIN, SNAP 6	1							
6	1	1Z4401-52101		1							
7	2	1Z0011-06220		1							
8	2	26716-060002	NUT, M6	1							
9	2	22137-060000	WASHER, 6	1							
10	1	1Z4401-52310		1							
11	1	1Z3650-52320		1							
12	1	1Z4405-53110		1							
13	1	1Z4401-53350		1							
14	1	1Z4401-53371		1							
15	1	1Z4401-53830		1							
16	1	1Z4401-53850		1							
17	1	1Z4401-53880		1							
18	1	1Z4401-53210		2							
19	1	26557-040202	SCREW, M4X20	1							
20	1	1Z4401-53140		1							
21	1	1Z4496-53120		1							
22	1	26557-040082	SCREW, M4X 8	1							
23	1	1Z4406-53170		1							

Fig.19. AIR CLEANER MUFFLER

19 CLEANER.MUFFLER



(A)=FA130D-A2B

(B)=

(C)=

(D)=

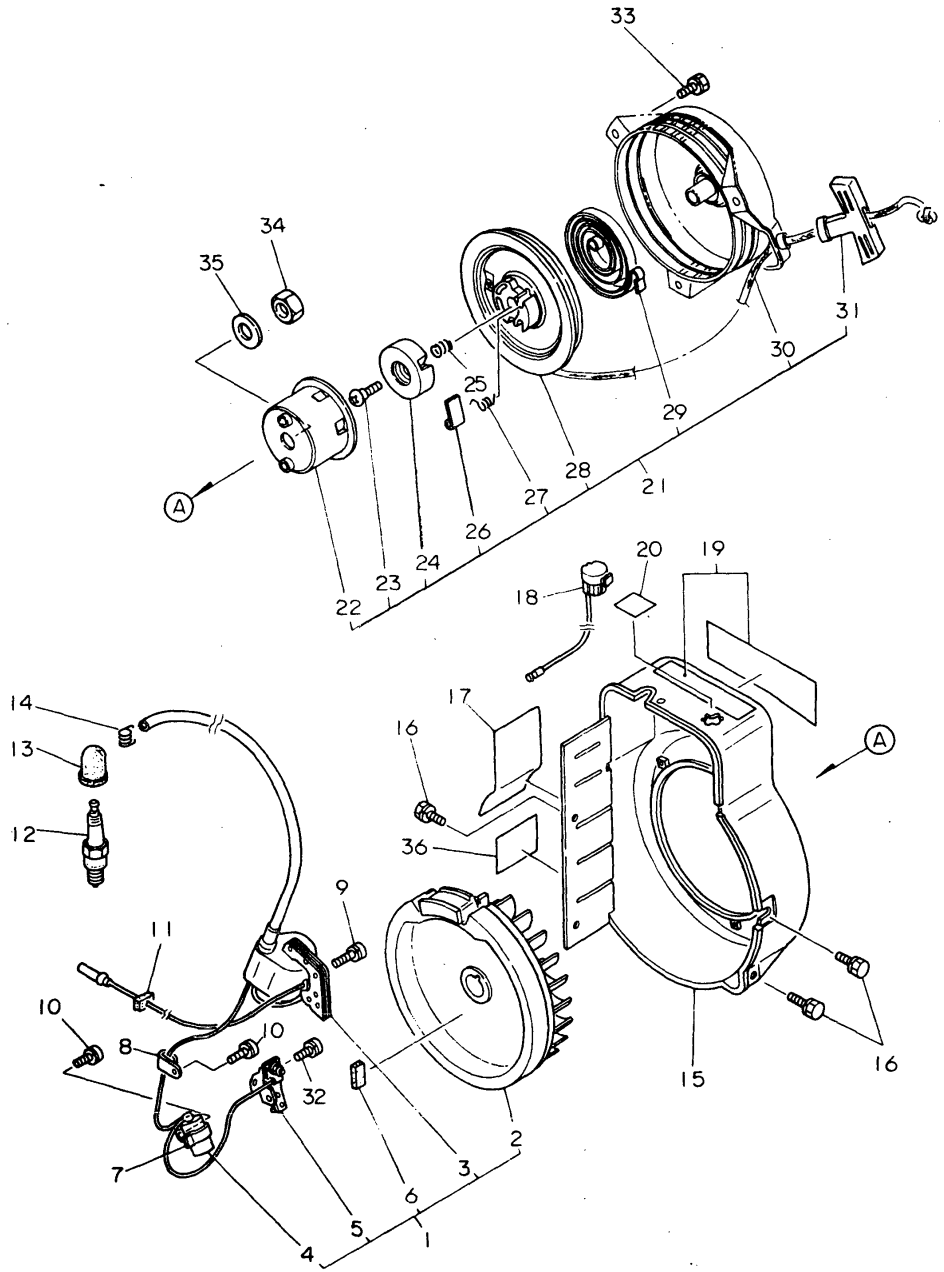
(E)=

(F)=

No.	Lev.	Parts No.	Description	Qty						I	R
				(A)	(B)	(C)	(D)	(E)	(F)		
1	1	1Z4413-14100		1							
2	1	1Z4496-14420		1							
3	1	1Z4413-14320		1							
4	1	1Z4414-14311		1							
5	1	26116-060082	BOLT, M6X 8 PLATED	6							
6	1	22137-060000	WASHER, 6	6							
7	1	26216-060162	STUD, M6X 16	2							
8	1	26716-060002	NUT, M6	2							
9	1	22137-060000	WASHER, 6	2							
10	1	1Z4413-13110		1							
11	1	1Z4401-13120		1							
12	1	1Z4401-13130		1							
13	1	1Z4401-13210		1							
14	1	1Z4496-08270		1							
15	1	1Z4401-61001		1							
16	2	1Z4401-61140		1							
17	2	1Z4401-61160		1							
18	2	1Z4401-61600		1							
19	2	1Z4401-61710		1							
20	2	1Z4401-61640		1							
21	2	1Z4401-61670		1							
22	2	1Z4401-61430		2							
23	2	1Z4401-61150		1							
24	2	1Z1509-61170		1							
25	2	1Z2801-61680		1							
26	1	1Z4401-61311		1							
27	1	1Z4401-13320		1							
28	1	26021-050102		2							
29	1	1Z4401-61810		1							
30	1	1Z4401-61840		2							
31	1	26716-060002	NUT, M6	2							
32	1	22137-060000	WASHER, 6	2							
33	1	1Z4413-13510		1							
34	1	1Z4405-55130		1							
35	1	1Z7196-55150		1							
36	1	1Z4413-13160		3							
37	1	23061-070100		1							
38	1	1Z4401-13410		1							
39	1	1Z4413-66100		1							
40	2	1Z4401-66400		1							
41	3	1Z4401-66431		1							
42	3	1Z4401-66440		1							
43	3	1Z4401-67320		2							
44	2	1Z8290-74470		1							
45	2	1Z4412-65250		1							
46	1	1Z0011-08160		1							
47	1	1Z4401-66810		1							
48	1	1Z6671-08260		1							
49	1	1Z5479-08510		1							
50	1	1Z5479-08220		1							

Fig.20. MAGNET RECOIL

20 MAGNET RECOIL



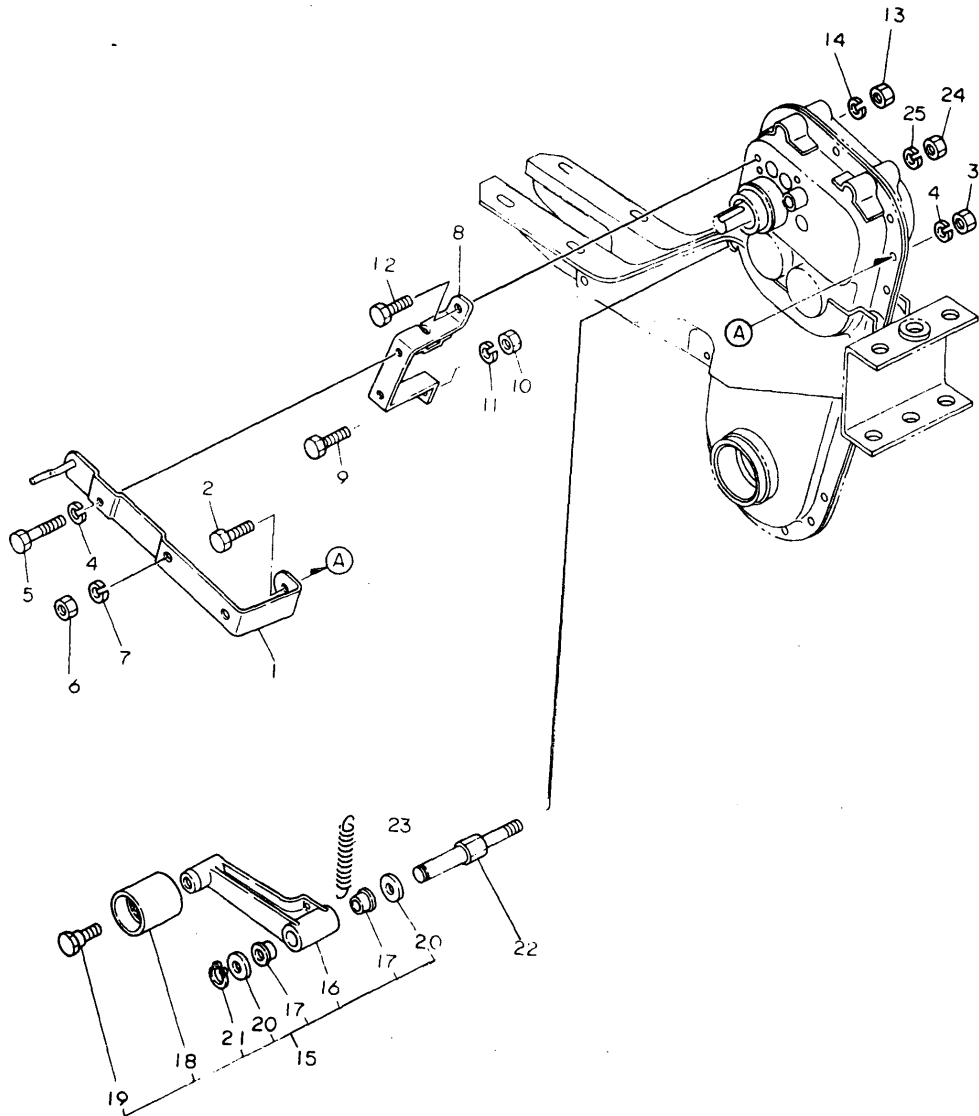
(A)=FA130D-A2B
(B)=
(C)=

(D)=
(E)=
(F)=

No.	Lev.	Parts No.	Description	Q'ty						I	R
				(A)	(B)	(C)	(D)	(E)	(F)		
1	1	1Z4401-81100		1							
2	2	1Z4401-81110		1							
3	2	1Z4401-81230		1							
4	2	1Z4401-84360		1							
5	2	1Z4401-84400		1							
6	2	1Z4401-81420		1							
7	1	1Z4401-81290		1							
8	1	1Z4401-81610		1							
9	1	26021-050162		2							
10	1	26021-040082		2							
11	1	1Z4401-81640		1							
12	1	1Z4401-84100		1							
13	1	1Z7270-84180		1							
14	1	1Z7270-84190		1							
15	1	1Z4405-16111		1							
16	1	26011-060102		5							
17	1	1Z4405-08140		1							
18	1	1Z4401-85110		1							
19	1	1Z4405-08100		1							
20	1	1Z4496-16270		1							
21	1	1Z4402-34300		1							
22	2	1Z4401-34320		1							
23	2	1Z4401-34470		1							
24	2	1Z4401-34490		1							
25	2	1Z4401-34460		1							
26	2	1Z4401-34450		1							
27	2	1Z4401-34440		1							
28	2	1Z4401-34410		1							
29	2	1Z4401-34520		1							
30	2	1Z4412-34530		1							
31	2	1Z4401-34600		1							
32	1	26021-040102		1							
33	1	26011-060102		3							
34	1	26736-140002	NUT, M14	1							
35	1	1Z4401-34820		1							
36	1	1Z5483-08510		1							

Fig.21. MAIN CLUTCH

21 MAIN CLUTCH



(A)=YK300SF

(B)=

(C)=

(D)=

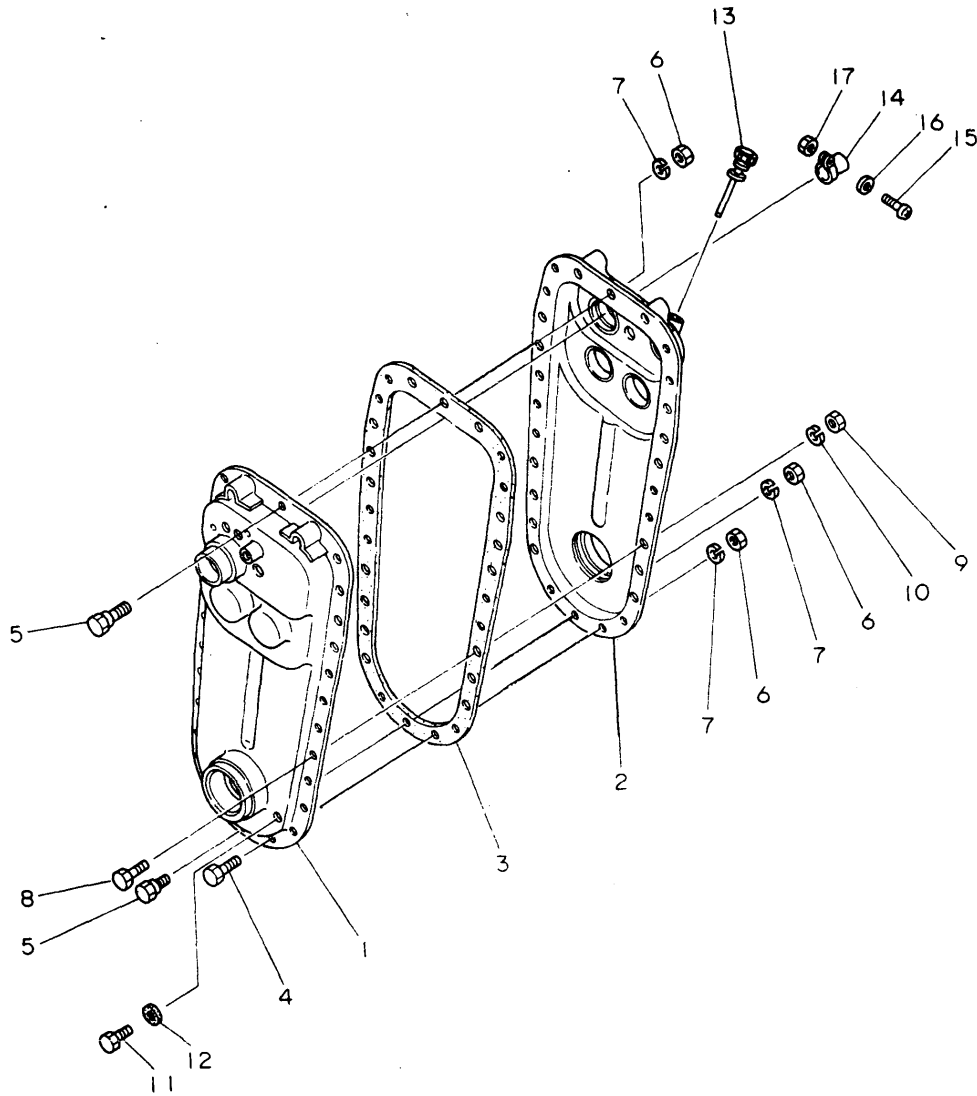
(E)=

(F)=

No.	Lev.	Parts No.	Description	Q'ty						I	R
				(A)	(B)	(C)	(D)	(E)	(F)		
1	1	1A1107-64120		1							
2	1	26117-060162		1							
3	1	26717-060002	NUT, M6	1							
4	1	22217-060000	WASHER, SPRING 6	2							
5	1	26117-060122		1							
6	1	26717-080002	NUT, M8	1							
7	1	22217-080000	WASHER, SPRING 8	1							
8	1	1A1104-21600		1							
9	1	26117-100202		1							
10	1	26717-100002	NUT, M10	1							
11	1	22217-100000	WASHER, SPRING 10	1							
12	1	26117-060162		1							
13	1	26717-060002	NUT, M6	1							
14	1	22217-060000	WASHER, SPRING 6	1							
15	1	7A1107-10000		1							
16	2	1A1107-11200		1							
17	2	1A1320-11250		2							
18	2	1A1104-14000		1							
19	2	1A1320-14020		1							
20	2	1A1320-11100		2							
21	2	22242-000170	RING, 17	1							
22	1	1A1107-16400		1							
23	1	1A1105-16001		1							
24	1	26717-100002	NUT, M10	1							
25	1	22217-100000	WASHER, SPRING 10	1							

Fig.22. MISSION HOUSING 1

22 MISSION HOUSING



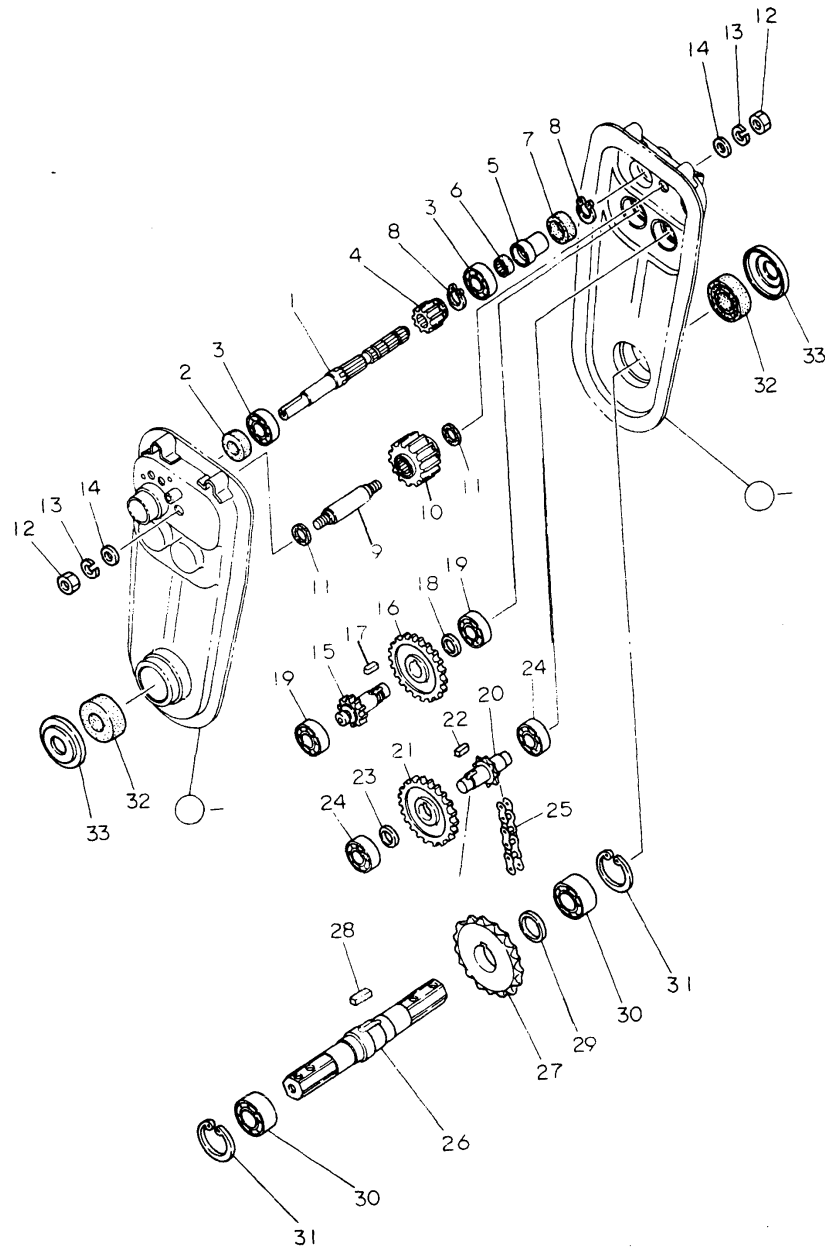
(A)=YK300SF
(B)=
(C)=

(D)=
(E)=
(F)=

No.	Lev.	Parts No.	Description	Q'ty						I	R
				(A)	(B)	(C)	(D)	(E)	(F)		
1	1	1A1107-21001		1							
2	1	1A1107-21151		1							
3	1	1A1104-28001		1							
4	1	26117-060142		14							
5	1	1A1104-26400		2							
6	1	26717-060002	NUT, M6	16							
7	1	22217-060000	WASHER, SPRING 6	16							
8	1	26117-100182		3							
9	1	26717-100002	NUT, M10	3							
10	1	22217-100000	WASHER, SPRING 10	3							
11	1	26117-080082		1							
12	1	1A1105-28020		1							
13	1	1A1104-21300		1							
14	1	1A1105-21300		1							
15	1	26557-050252	SCREW, M5X25	1							
16	1	22137-050000	WASHER, 5	1							
17	1	26717-050002	NUT, M5	1							

Fig.23. MISSION HOUSING 2

23 TRANSMISSION



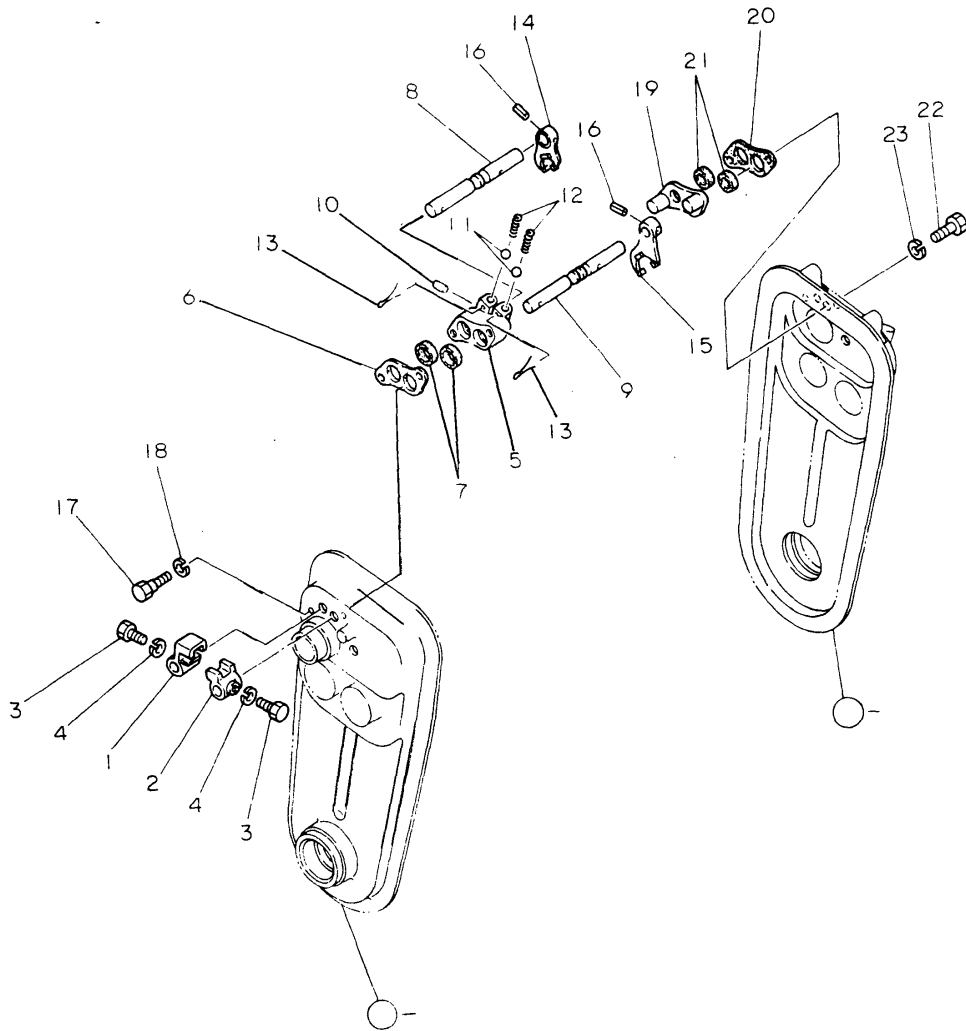
(A)=YK300SF
(B)=
(C)=

(D)=
(E)=
(F)=

No.	Lev.	Parts No.	Description	Q'ty						I	R
				(A)	(B)	(C)	(D)	(E)	(F)		
1	1	1A1104-25001		1							
2	1	1A1104-28210		1							
3	1	24101-062034	BEARING, BALL 6203	2							
4	1	1A1104-24002		1							
5	1	1A1104-23001		1							
6	1	1A1104-28200		1							
7	1	1A1104-28220		1							
8	1	22242-000170	RING, 17	2							
9	1	1A1104-25010		1							
10	1	1A1104-24011		1							
11	1	1A1104-28010		2							
12	1	26717-100002	NUT, M10	2							
13	1	22217-100000	WASHER, SPRING 10	2							
14	1	22137-100000	WASHER, 10	1							
15	1	1A1104-24031		1							
16	1	1A1104-24040		1							
17	1	1A1104-25201		1							
18	1	1A1104-23200		1							
19	1	24101-062034	BEARING, BALL 6203	1							
20	1	1A1104-24052		1							
21	1	1A1104-24061		1							
22	1	1A1104-25201		1							
23	1	1A1104-23200		1							
24	1	24101-062034	BEARING, BALL 6203	1							
25	1	1A1104-24200		1							
26	1	1A1107-25020		1							
27	1	1A1104-24070		1							
28	1	1A1104-25210		1							
29	1	1A1105-23230		1							
30	1	24104-060074	BEARING, BALL 6007UU	1							
31	1	22252-000620	RING, 62	1							
32	1	1A1104-28240		1							
33	1	1A1104-21200		1							

Fig.24. SPEED CHANGE

24 SPEED CHANGE



(A)=YK300SF

(B)=

(C)=

(D)=

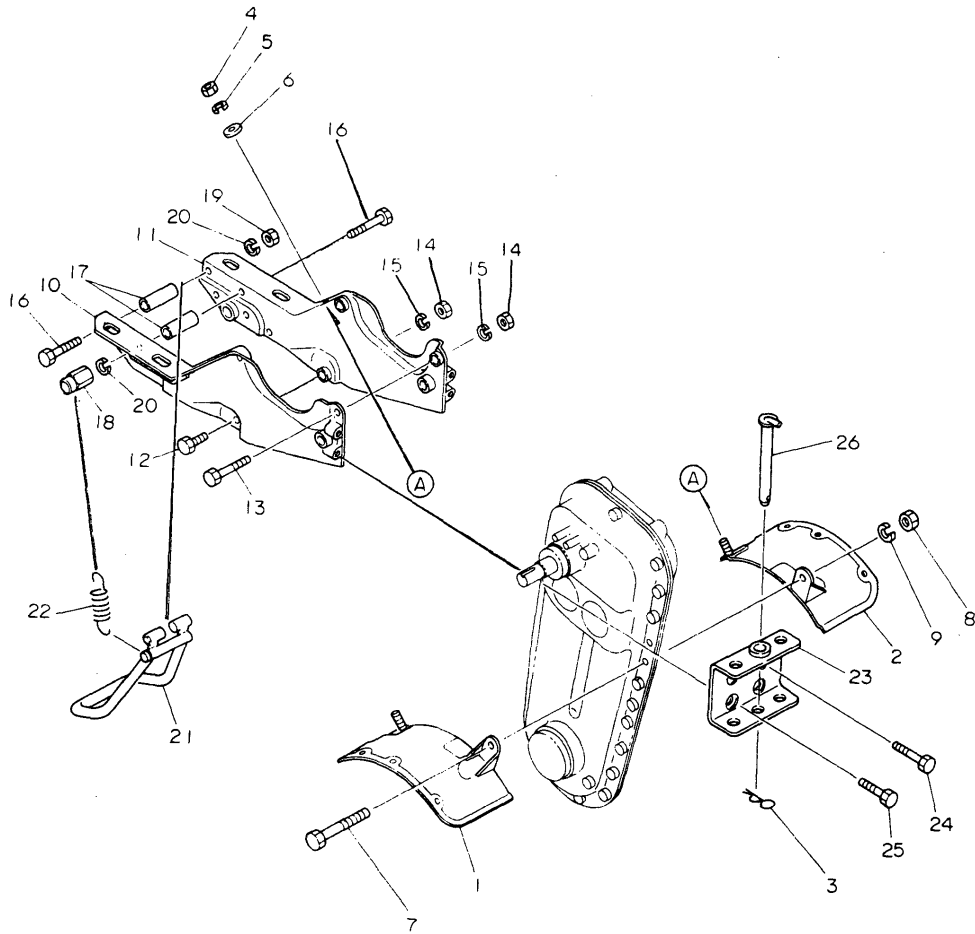
(E)=

(F)=

No.	Lev.	Parts No.	Description	Q'ty						I	R
				(A)	(B)	(C)	(D)	(E)	(F)		
1	1	1A1104-27001		1							
2	1	1A1104-27011		1							
3	1	26117-060142		2							
4	1	22217-060000	WASHER, SPRING 6	2							
5	1	1A1104-27020		1							
6	1	1A1105-28040		1							
7	1	1A1104-28230		2							
8	1	1A1104-27030		1							
9	1	1A1104-27040		1							
10	1	1A1105-27050		1							
11	1	1A1105-26600		2							
12	1	1A1105-26020		2							
13	1	22411-200180		2							
14	1	1A1104-27050		1							
15	1	1A1104-27060		1							
16	1	22351-040018	PIN, SPRING 4.0X18	2							
17	1	26117-080162		2							
18	1	22217-080000	WASHER, SPRING 8	2							
19	1	1A1104-27070		1							
20	1	1A1105-28040		1							
21	1	1A1104-28230		2							
22	1	26117-080162		2							
23	1	22217-080000	WASHER, SPRING 8	2							

Fig.25. FRAME FENDER

25 FRAME & FENDER



(A)=YK300SF

(B)=

(C)=

(D)=

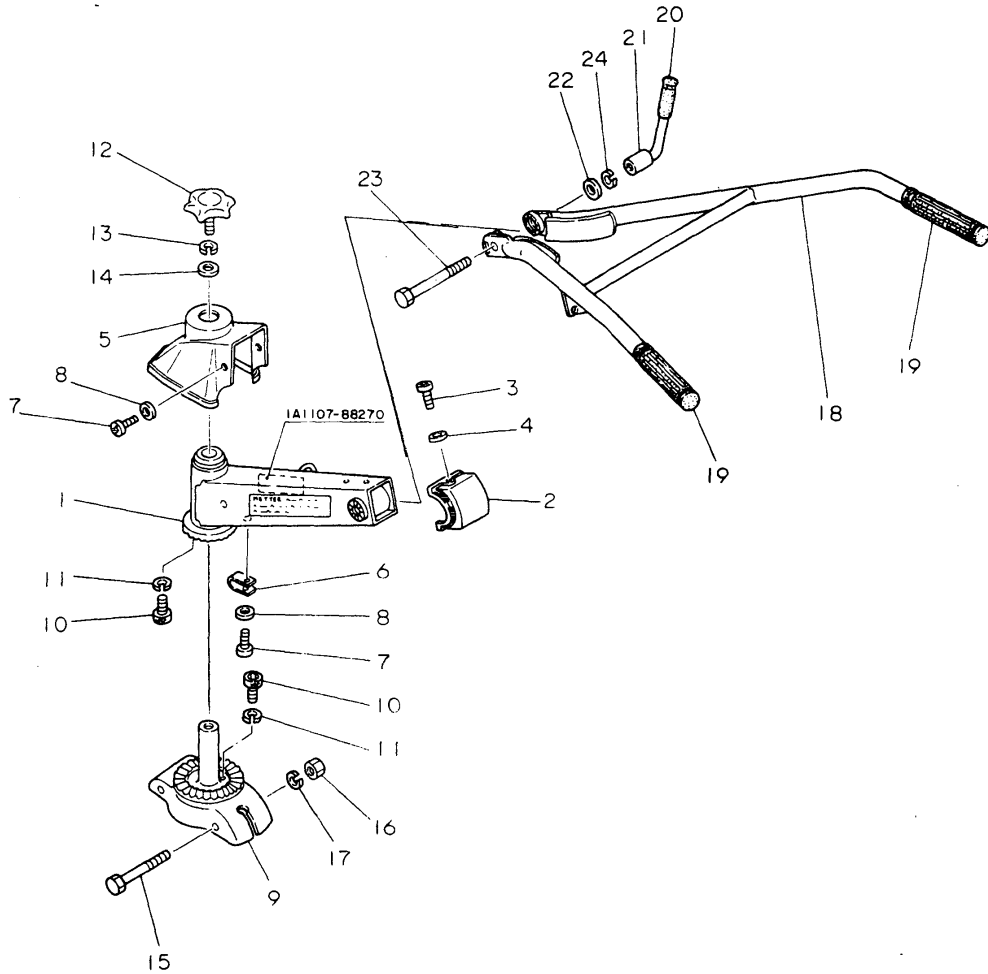
(E)=

(F)=

No.	Lev.	Parts No.	Description	Q'ty						I	R
				(A)	(B)	(C)	(D)	(E)	(F)		
1	1	1A1104-31000		1							
2	1	1A1104-31010		1							
3	1	22360-160000	PIN, SNAP 16	1							
4	1	26717-080002	NUT, M8	2							
5	1	22217-080000	WASHER, SPRING 8	2							
6	1	22137-080000	WASHER, 8	2							
7	1	26116-100902	BOLT, M10X 90 PLATED	1							
8	1	26717-100002	NUT, M10	1							
9	1	22217-100000	WASHER, SPRING 10	1							
10	1	1A1104-61000		1							
11	1	1A1104-61100		1							
12	1	26116-100352	BOLT, M10X 35 PLATED	1							
13	1	26116-100552	BOLT, M10X 55 PLATED	1							
14	1	26717-100002	NUT, M10	3							
15	1	22217-100000	WASHER, SPRING 10	3							
16	1	26117-080502		3							
17	1	1A1104-63001		3							
18	1	1A1104-66400		1							
19	1	26717-080002	NUT, M8	2							
20	1	22217-080000	WASHER, SPRING 8	3							
21	1	1A1107-63000		1							
22	1	1A1104-66000		1							
23	1	1A1107-62001		1							
24	1	1A1104-66201		2							
25	1	1A1104-66250		2							
26	1	1A1105-66200		1							

Fig.26. HANDLE

26 HANDLE



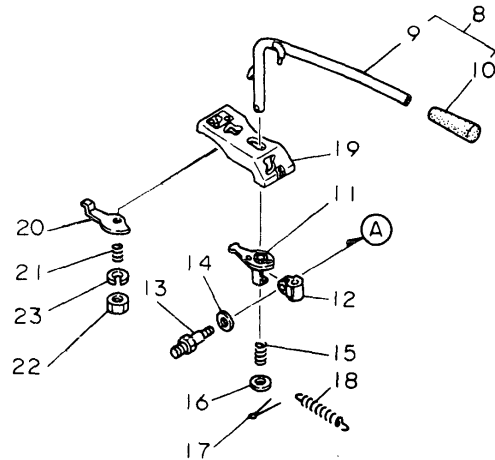
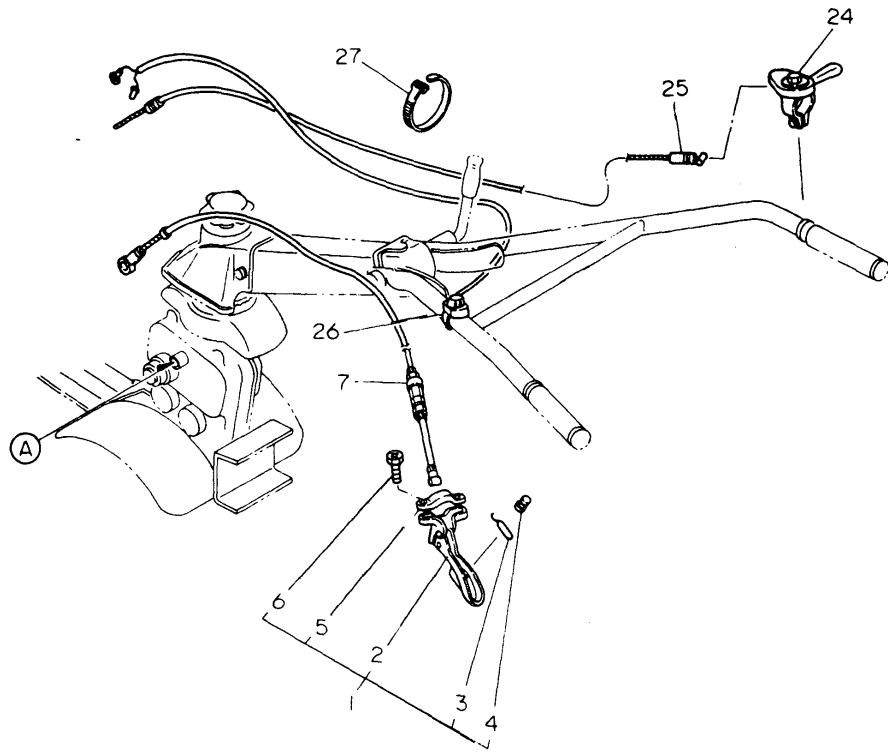
(A)=YK300SF
(B)=
(C)=

(D)=
(E)=
(F)=

No.	Lev.	Parts No.	Description	Q'ty						I	R
				(A)	(B)	(C)	(D)	(E)	(F)		
1	1	1A1107-51000		1							
2	1	1A1320-51600		1							
3	1	26557-050102	SCREW, M5X10	2							
4	1	22137-050000	WASHER, 5	2							
5	1	1A1104-51700		1							
6	1	1A1104-54610		1							
7	1	26557-060122	SCREW, M6X12	3							
8	1	22137-060000	WASHER, 6	3							
9	1	1A1104-51070		1							
10	1	26450-060102	BOLT, M6X 10	2							
11	1	22217-060000	WASHER, SPRING 6	2							
12	1	1A1104-52001		1							
13	1	22217-140000	WASHER, SPRING 14	1							
14	1	1A1104-53200		1							
15	1	26116-100852	BOLT, M10X 85 PLATED	2							
16	1	26717-100002	NUT, M10	2							
17	1	22217-100000	WASHER, SPRING 10	2							
18	1	1A1104-51400		1							
19	1	1A1105-51630		2							
20	1	1A1102-57100		1							
21	1	1A1320-52100		1							
22	1	22137-140000	WASHER, 14	1							
23	1	26117-141252		1							
24	1	22217-140000	WASHER, SPRING 14	1							

Fig.27. LEVER CABLE

27 LEVER & CABLE



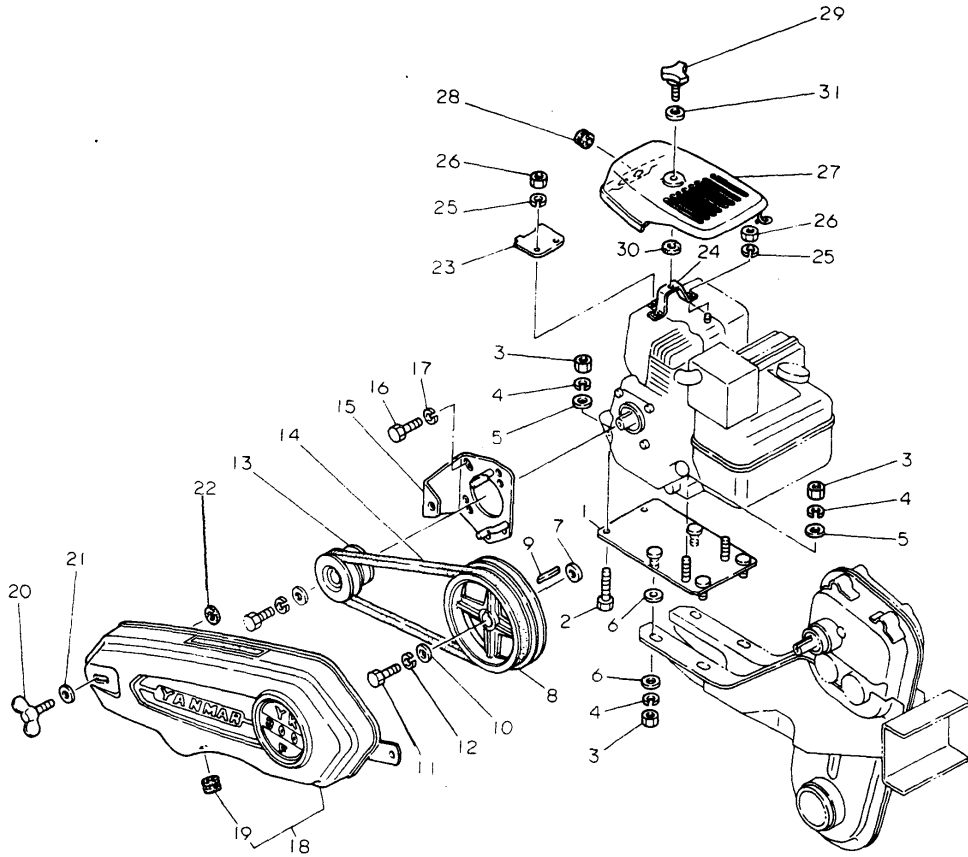
(A)=YK300SF
(B)=
(C)=

(D)=
(E)=
(F)=

No.	Lev.	Parts No.	Description	Q'ty						I	R
				(A)	(B)	(C)	(D)	(E)	(F)		
1	1	7A1108-17100		1							
2	2	1A1310-17000		1							
3	2	1A1108-17100		1							
4	2	1A1108-17110		1							
5	2	1A1102-57390		1							
6	2	26557-060222		2							
7	1	1A1107-54200		1							
8	1	7A1104-50021		1							
9	2	1A1104-57011		1							
10	2	1A1102-57100		1							
11	1	1A1104-57061		1							
12	1	1A1104-57091		1							
13	1	1A1104-56200		1							
14	1	22137-120000	WASHER, 12	1							
15	1	1A1104-56030		1							
16	1	1A1104-53100		1							
17	1	22417-200180		1							
18	1	1A1107-56000		1							
19	1	1A1107-51600		1							
20	1	1A1104-57130		1							
21	1	1A1104-56021		1							
22	1	26717-060002	NUT, M6	1							
23	1	22217-060000	WASHER, SPRING 6	1							
24	1	1A1104-57501		1							
25	1	1A1360-54590		1							
26	1	1A1107-54220		1							
27	1	1A1105-54670		2							

Fig.28. BELT COVER

28 BELT COVER



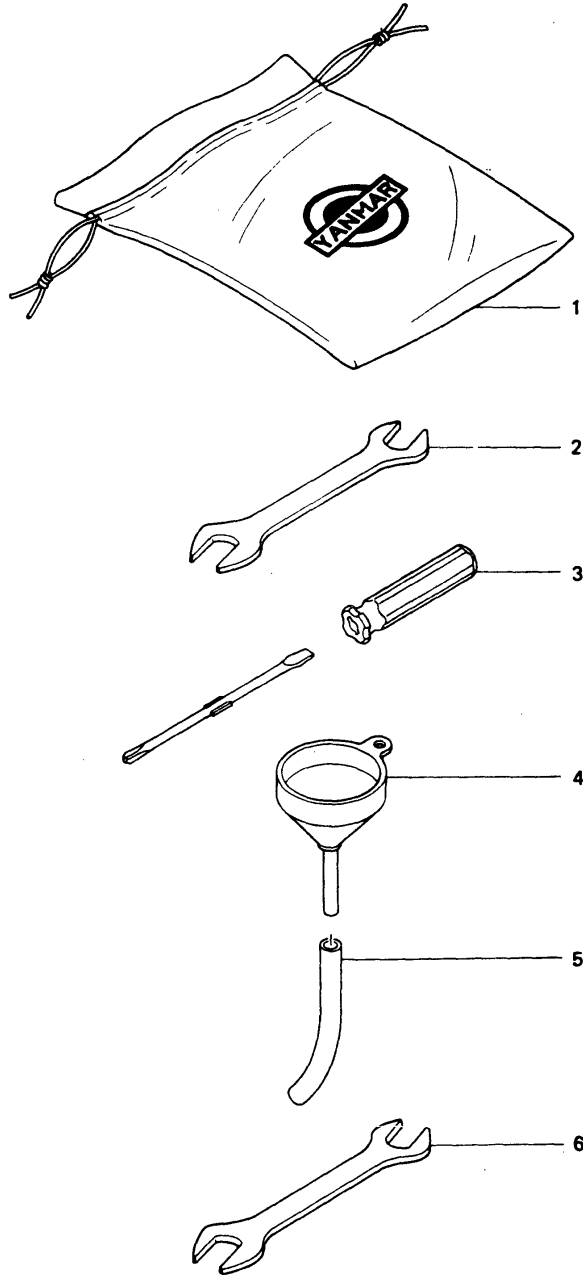
(A)=YK300SF
(B)=
(C)=

(D)=
(E)=
(F)=

No.	Lev.	Parts No.	Description	Q'ty						I	R
				(A)	(B)	(C)	(D)	(E)	(F)		
1	1	1A1107-65000		1							
2	1	26117-080402		2							
3	1	26717-080002	NUT, M8	8							
4	1	22217-080000	WASHER, SPRING 8	8							
5	1	22137-080000	WASHER, 8	4							
6	1	1D1140-11420		8							
7	1	1A1104-11100		1							
8	1	1A1107-11000		1							
9	1	1A1105-15200		1							
10	1	1D1140-11420		1							
11	1	26117-080252		1							
12	1	22217-080000	WASHER, SPRING 8	1							
13	1	1A1107-62400		1							
14	1	25112-000410	V-BELT, A41	1							
15	1	1A1107-62500		1							
16	1	26117-080162		3							
17	1	22217-080000	WASHER, SPRING 8	3							
18	1	1A1107-64000		1							
19	2	1H6020-60170		1							
20	1	1A1105-66401		2							
21	1	22137-080000	WASHER, 8	2							
22	1	1A1108-66410		2							
23	1	1A1107-62200		1							
24	1	1A1107-62210		1							
25	1	22217-080000	WASHER, SPRING 8	4							
26	1	26717-080002	NUT, M8	4							
27	1	1A1107-62100		1							
28	1	1H6020-60170		2							
29	1	1A1400-66400		1							
30	1	1A1108-66410		1							
31	1	22137-080000	WASHER, 8	1							

Fig.29. TOOL

29 TOOL



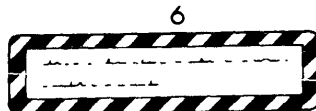
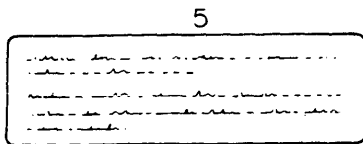
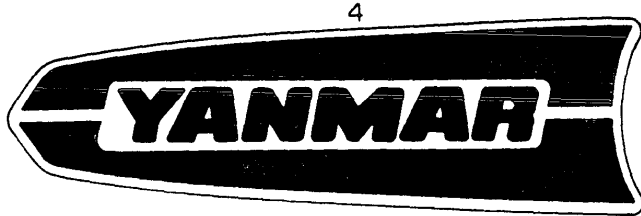
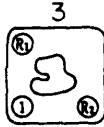
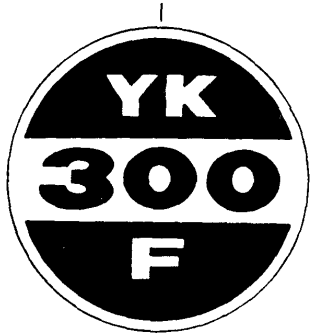
(A)=YK300SF
(B)=
(C)=

(D)=
(E)=
(F)=

No.	Lev.	Parts No.	Description	Q'ty						I	R
				(A)	(B)	(C)	(D)	(E)	(F)		
1	1	1D1510-18090		1							
2	1	1D1140-18080		1							
3	1	1D2040-87060		1							
4	1	1A1105-83000		1							
5	1	1A1102-83110		1							
6	1	1A1105-81000		1							

Fig.30. LABEL

30 LABEL



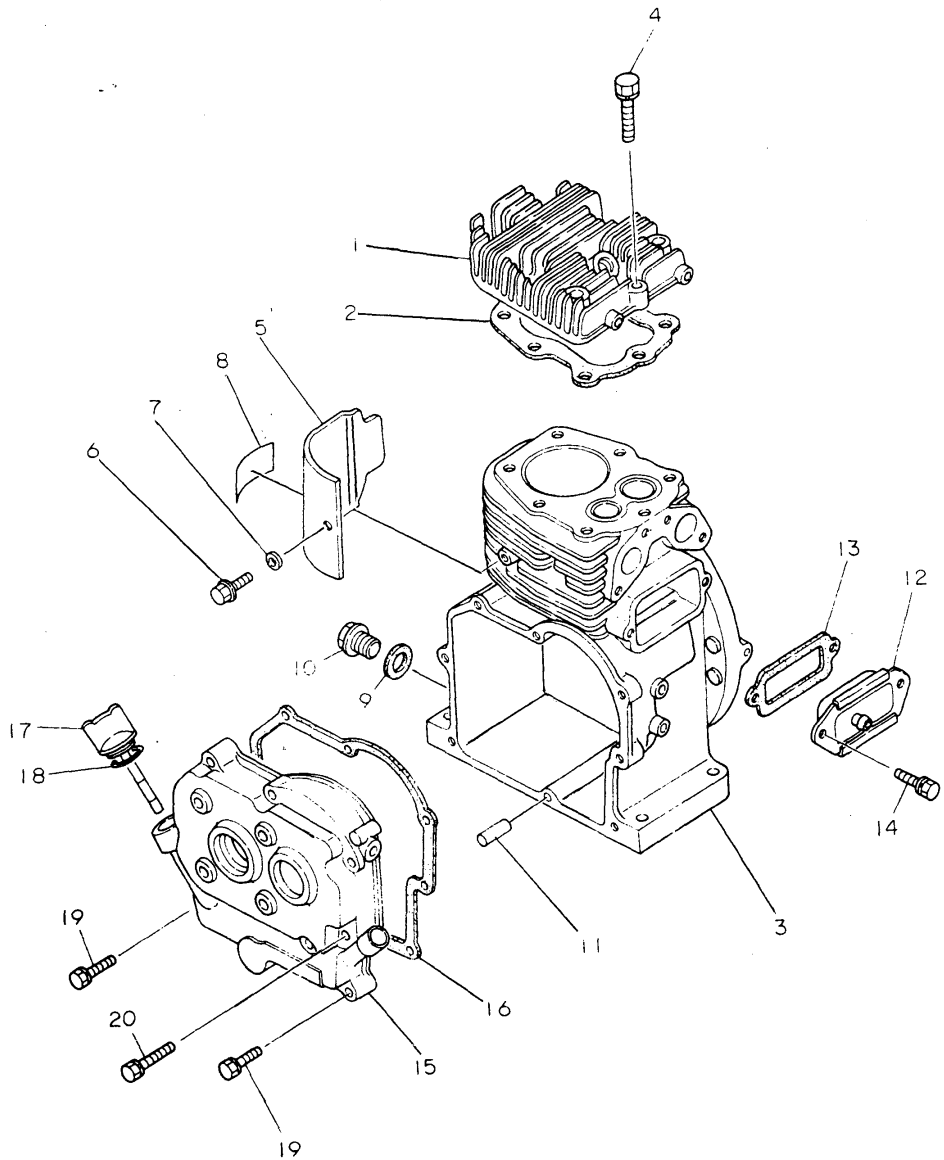
(A)=YK300SF
(B)=
(C)=

(D)=
(E)=
(F)=

No.	Lev.	Parts No.	Description	Qty						I	R
				(A)	(B)	(C)	(D)	(E)	(F)		
1	1	1A1107-88000		1							
2	1	1A1104-88031		1							
3	1	1A1107-88040		1							
4	1	1A1105-88011		1							
5	1	1A1107-88130		1							
6	1	1A1107-88650		1							
7	1	1A1103-88010		1							

Fig.31. CYLINDER BLOCK

31 CYLINDER



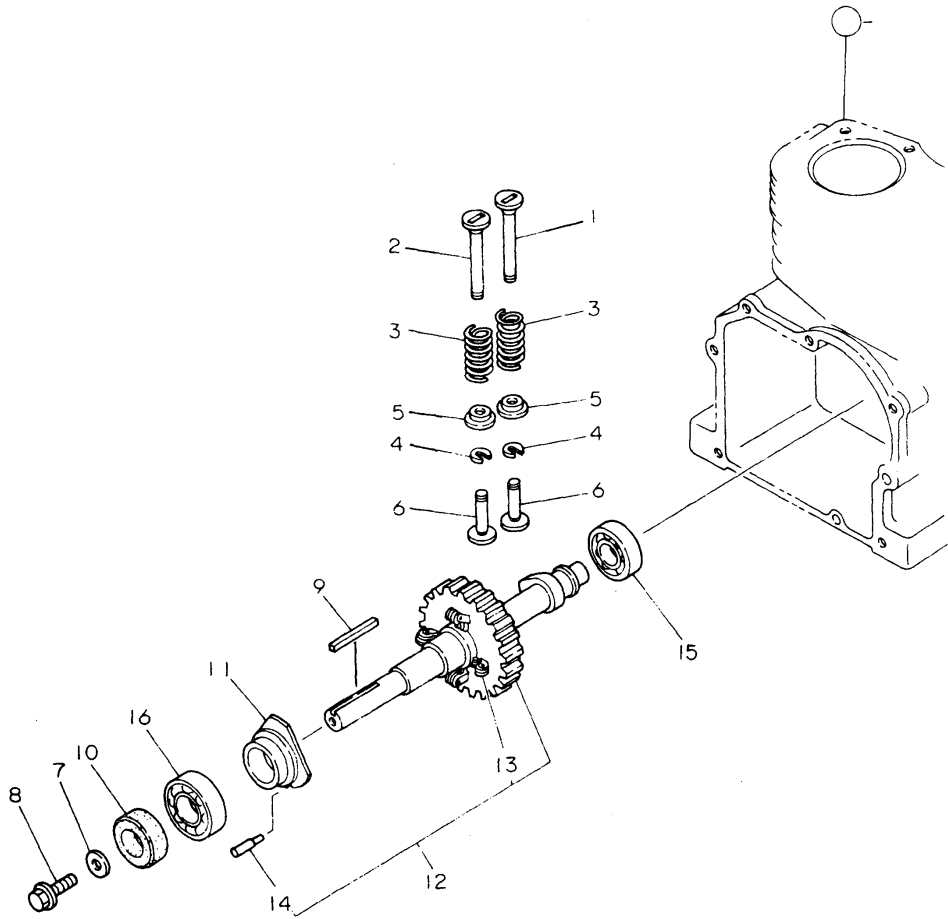
(A)=KF34G
(B)=
(C)=

(D)=
(E)=
(F)=

No.	Lev.	Parts No.	Description	Q'ty						I	R
				(A)	(B)	(C)	(D)	(E)	(F)		
1	1	1Z3650-11113		1							
2	1	1Z3650-11210		1							
3	1	1Z3640-41100		1							
4	1	26011-080352		5							
5	1	1Z362T-16320		1							
6	1	1Z0011-06120		1							
7	1	22137-060000	WASHER, 6	1							
8	1	1Z362T-08130		1							
9	1	1Z1201-72140		1							
10	1	1Z8294-74410		1							
11	1	1Z0056-10120		2							
12	1	1Z3650-12313		1							
13	1	1Z3650-12320		1							
14	1	26011-060122		2							
15	1	1Z3650-41210		1							
16	1	1Z3650-41240		1							
17	1	1Z3650-74111		1							
18	1	1Z5192-74320		1							
19	1	26011-060342		6							
20	1	26011-060422		2							

Fig.32. CAM SHAFT

32 CAM SHAFT



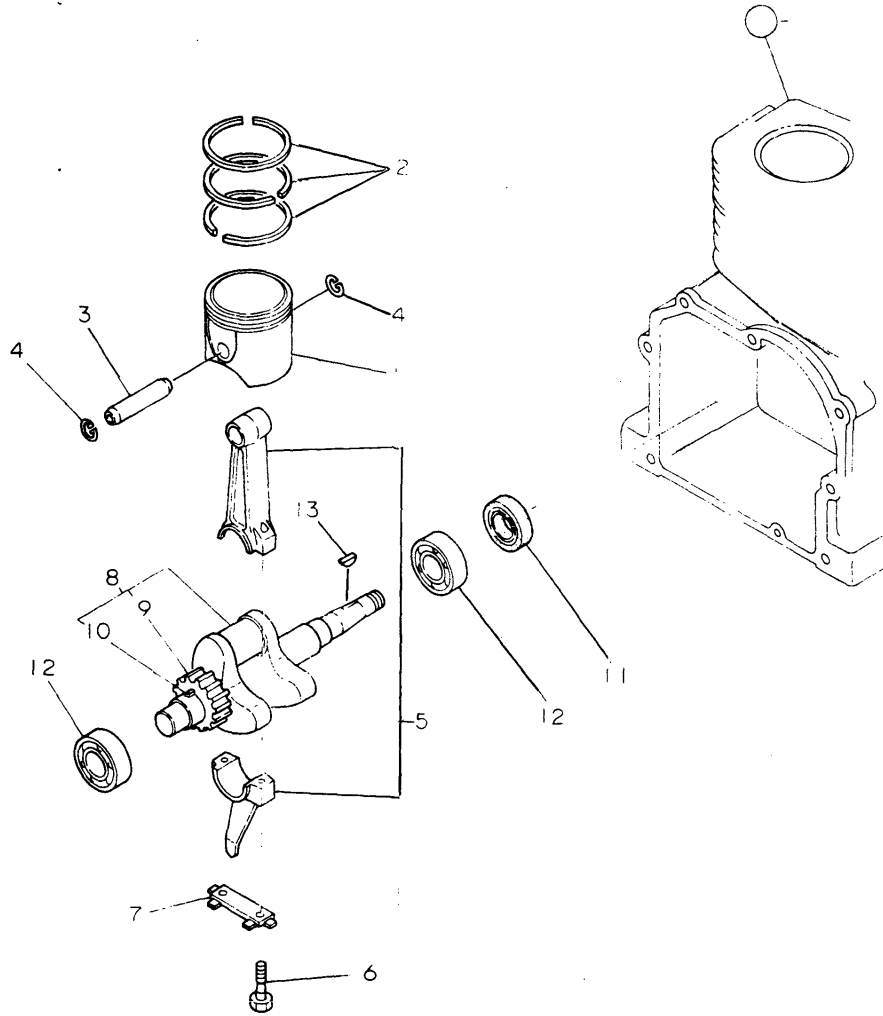
(A)=KF34G
(B)=
(C)=

(D)=
(E)=
(F)=

No.	Lev.	Parts No.	Description	Q'ty						I	R
				(A)	(B)	(C)	(D)	(E)	(F)		
1	1	1Z3650-21111		1							
2	1	1Z3650-21120		1							
3	1	1Z5470-21130		2							
4	1	1Z3650-21150		2							
5	1	1Z3650-21160		2							
6	1	1Z3650-22110		2							
7	1	1Z3252-23830		1							
8	1	1Z0011-08250		1							
9	1	1Z0050-05250		1							
10	1	1Z3650-42310		1							
11	1	1Z3650-51211		1							
12	1	1Z3650-23101		1							
13	2	1Z3650-51100		1							
14	2	1Z3650-51150		1							
15	1	24101-062024	BEARING, BALL 6202	1							
16	1	24101-062044	BEARING, BALL 6204	1							

Fig.33. CRANK SHAFT PISTON

33 CRANK SHAFT



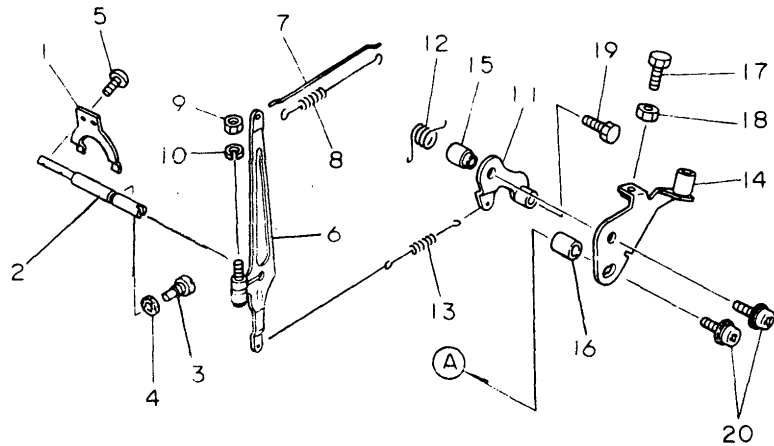
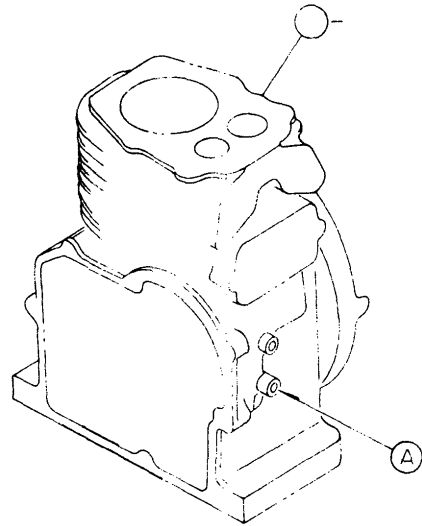
(A)=KF34G
(B)=
(C)=

(D)=
(E)=
(F)=

No.	Lev.	Parts No.	Description	Q'ty						I	R
				(A)	(B)	(C)	(D)	(E)	(F)		
1	1	1Z3650-31111		1							
2	1	1Z3650-30100		1							
3	1	1Z3650-31210		1							
4	1	1Z3650-31220		2							
5	1	1Z3650-32402		1							
6	2	1Z5470-32450		2							
7	1	1Z3650-32481		1							
8	1	1Z3650-32102		1							
9	2	1Z3650-32172		1							
10	2	1Z3650-23710		1							
11	1	1Z3650-42310		1							
12	1	24101-062044	BEARING, BALL 6204	2							
13	1	1Z3650-23710		1							

Fig.34. COVERNER

34 COVERNER



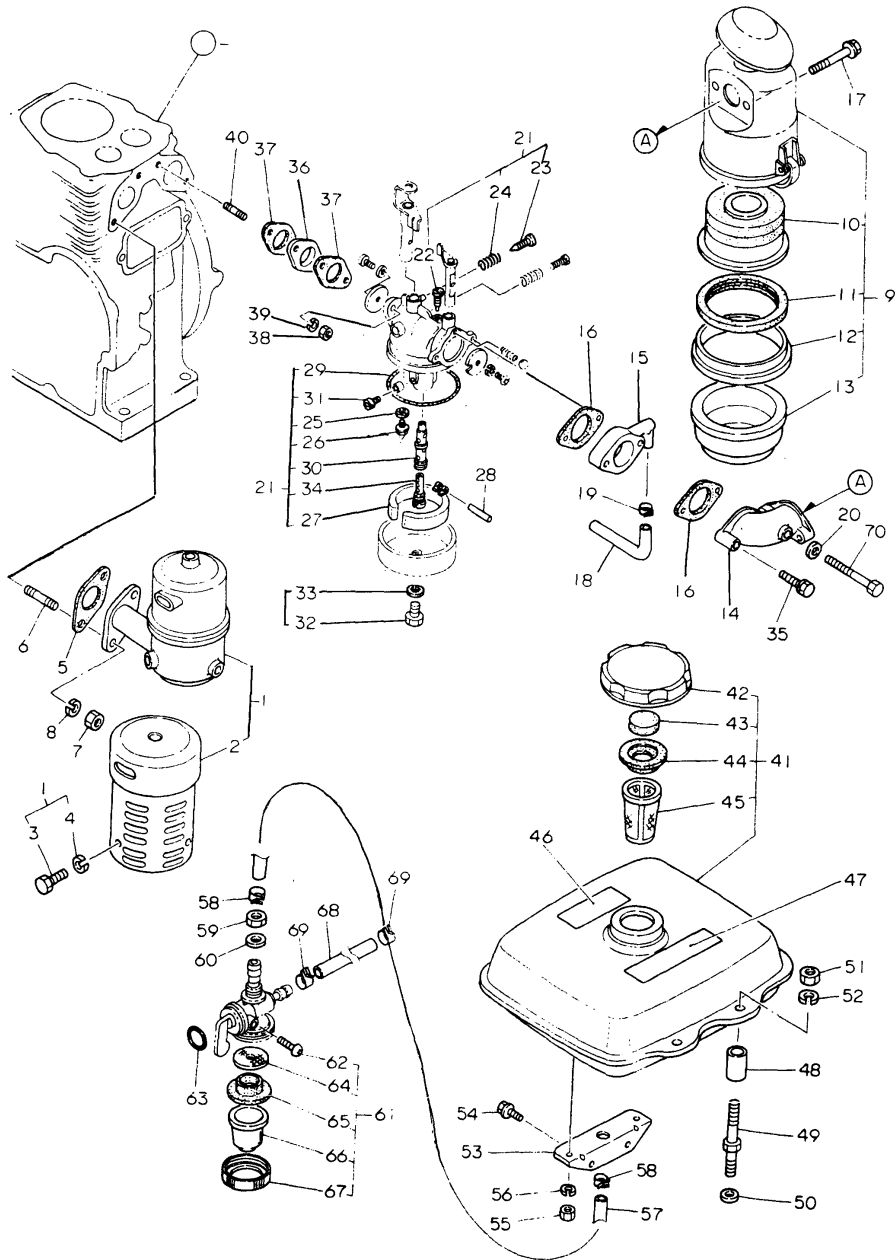
(A)=KF34G
(B)=
(C)=

(D)=
(E)=
(F)=

No.	Lev.	Parts No.	Description	Q'ty						I	R
				(A)	(B)	(C)	(D)	(E)	(F)		
1	1	1Z3650-51221		1							
2	1	1Z3650-51230		1							
3	1	1Z5470-51240		1							
4	1	1Z5192-12330		1							
5	1	26022-040062		2							
6	1	1Z3650-52110		1							
7	1	1Z3650-52310		1							
8	1	1Z3650-52320		1							
9	1	26716-060002	NUT, M6	1							
10	1	22217-060000	WASHER, SPRING 6	1							
11	1	1Z3691-53100		1							
12	1	1Z3690-53170		1							
13	1	1Z3650-53140		1							
14	1	1Z2751-53310		1							
15	1	1Z8290-53320		1							
16	1	1Z8290-53330		1							
17	1	1Z3640-53820		1							
18	1	26716-060002	NUT, M6	1							
19	1	1Z0011-05080		1							
20	1	26021-060282		2							

Fig.35. AIR CLEANER MUFFLER

35 CLEANER.MUFFLER



(A)=KF34G

(B)=

(C)=

(D)=

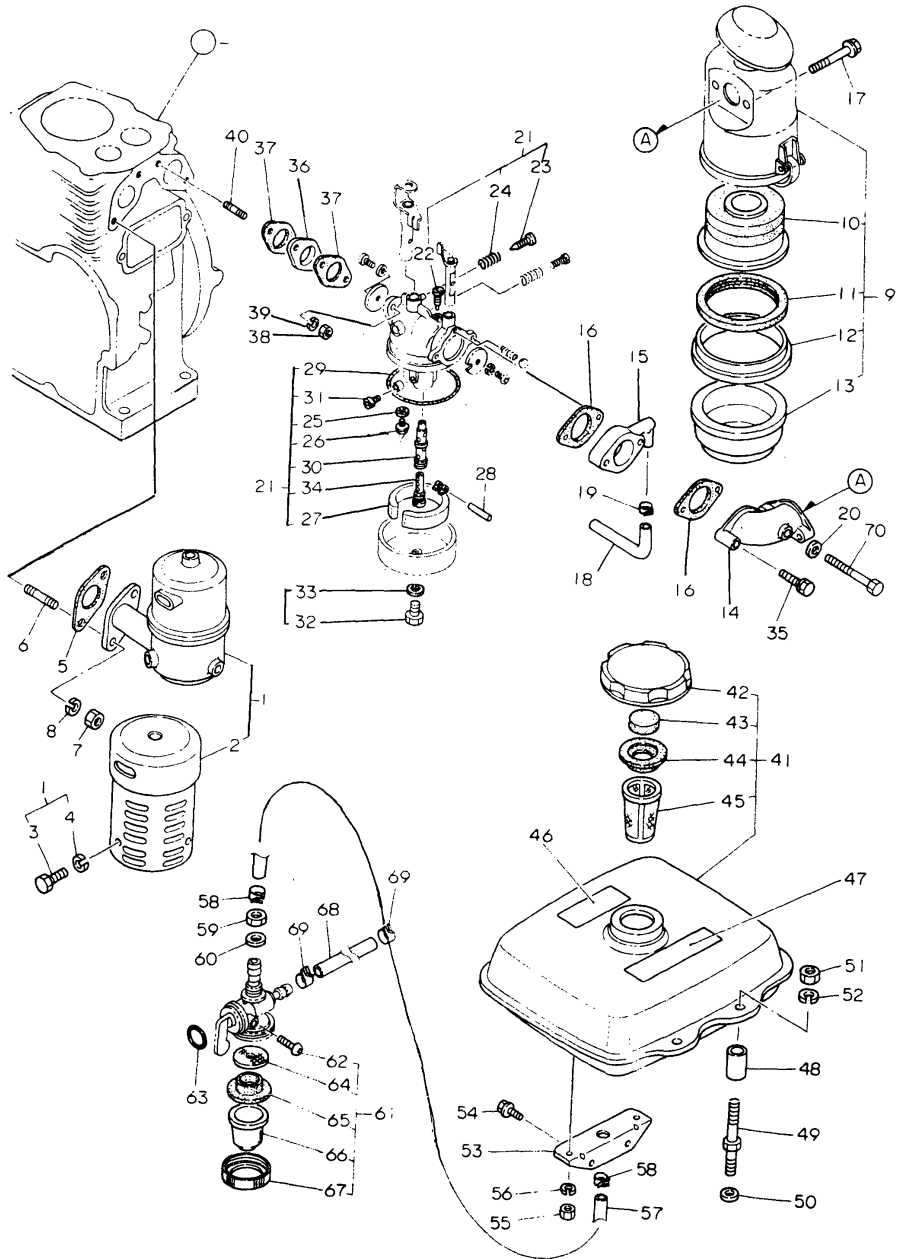
(E)=

(F)=

No.	Lev.	Parts No.	Description	Qty						I	R
				(A)	(B)	(C)	(D)	(E)	(F)		
1	1	1Z362T-14000		1							
2	2	1Z3674-14310		1							
3	2	1Z0011-06100		3							
4	2	22217-060000	WASHER, SPRING 6	3							
5	1	1Z3650-14420		1							
6	1	26217-060162		1							
7	1	26717-060002	NUT, M6	2							
8	1	22217-060000	WASHER, SPRING 6	2							
9	1	1Z3693-13100		1							
10	2	1Z3690-13120		1							
11	2	1Z3690-13230		1							
12	2	1Z3690-13190		1							
13	2	1Z3690-13160		1							
14	1	1Z2753-13310		1							
15	1	1Z3690-13310		1							
16	1	1Z4251-13320		2							
17	1	26011-050602		2							
18	1	23061-070015	PIPE, 7X 15	1							
19	1	1Z3679-15320		2							
20	1	1Z6442-13810		1							
21	1	1Z362T-61000		1							
22	2	1Z3650-61120		1							
23	2	1Z3650-61140		1							
24	2	1Z3650-61160		1							
25	2	1Z3650-61190		1							
26	2	1Z3650-61200		1							
27	2	1Z3650-61260		1							
28	2	1Z3650-61270		1							
29	2	1Z3650-61280		1							
30	2	1Z3650-61290		1							
31	2	1Z3687-61320		1							
32	2	1Z3650-61430		1							
33	2	1Z8190-61590		1							
34	2	1Z3650-61060		1							
35	1	26011-050402		1							
36	1	1Z3650-61810		1							
37	1	1Z3640-61840		2							
38	1	26716-060002	NUT, M6	2							
39	1	22217-060000	WASHER, SPRING 6	2							
40	1	26217-060202		2							
41	1	1Z362T-66100		1							
42	2	1Z8290-66410		1							
43	2	1Z8290-66460		1							
44	2	1Z8290-66432		1							
45	2	1Z3592-66610		1							
46	1	1Z5479-08220		1							
47	1	1Z5479-08510		1							
48	1	1Z2750-11350		2							
49	1	1Z2750-11810		2							
50	1	22117-080000	WASHER, 8	2							
51	1	26717-080002	NUT, M8	2							

Fig.35. AIR CLEANER MUFFLER

35 CLEANER.MUFFLER



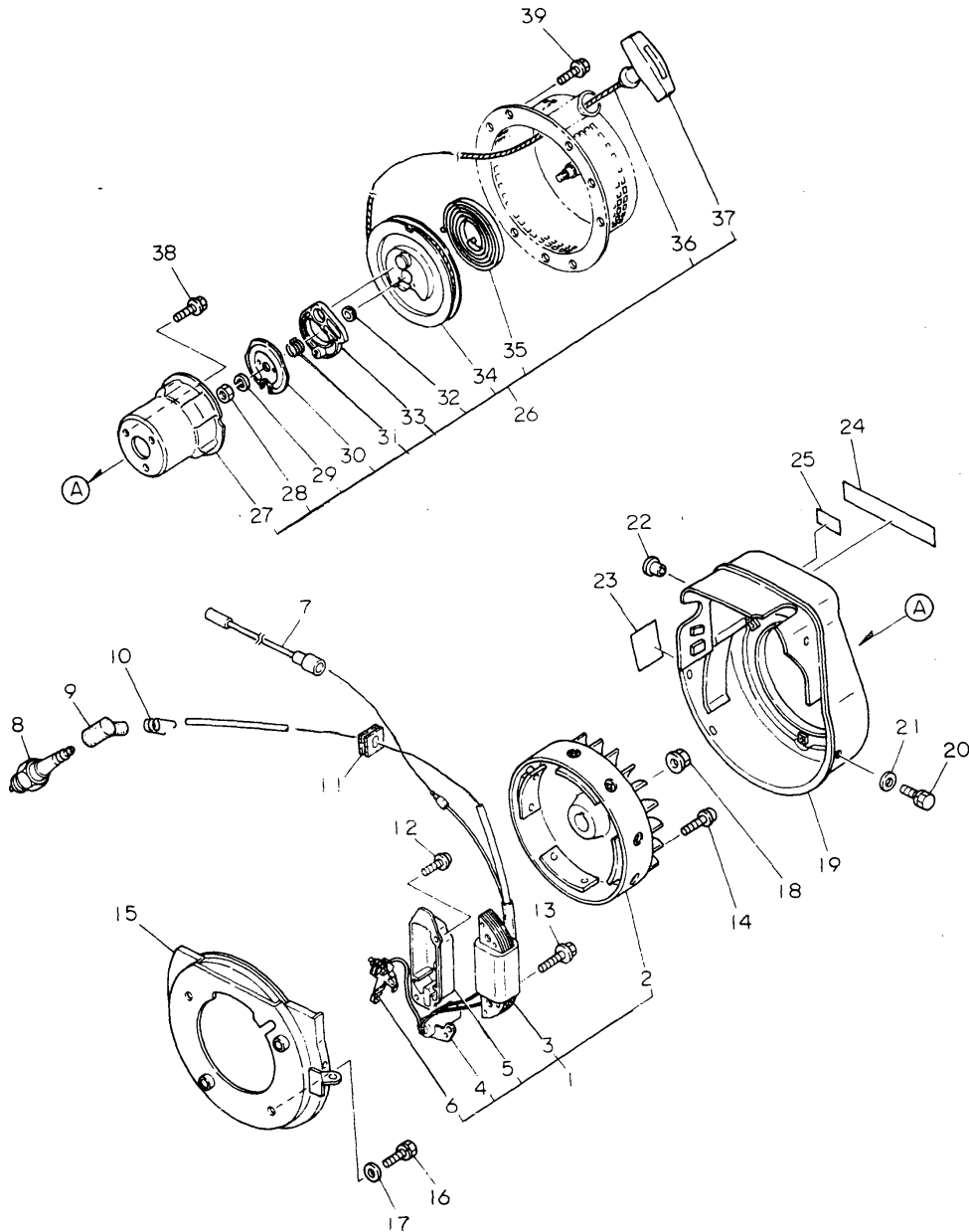
(A)=KF34G
(B)=
(C)=

(D)=
(E)=
(F)=

No.	Lev.	Parts No.	Description	Qty						I	R
				(A)	(B)	(C)	(D)	(E)	(F)		
52	1	22217-080000	WASHER, SPRING 8	2							
53	1	1Z362T-67110		1							
54	1	1Z0011-06120		2							
55	1	26717-080002	NUT, M8	2							
56	1	22217-080000	WASHER, SPRING 8	2							
57	1	1Z0070-07370		1							
58	1	1Z7196-68120		2							
59	1	1Z3650-65270		1							
60	1	1Z0046-10000		1							
61	1	1Z3650-65102		1							
62	2	1Z3650-65170		1							
63	2	1Z3650-65120		1							
64	2	1Z3650-65190		1							
65	2	1Z3650-65182		1							
66	2	1Z3650-65210		1							
67	2	1Z3650-65220		1							
68	1	1Z0070-07170		1							
69	1	1Z3679-68120		2							

Fig.36. MAGNET RECOIL

36 MAGNETQ.RECOIL



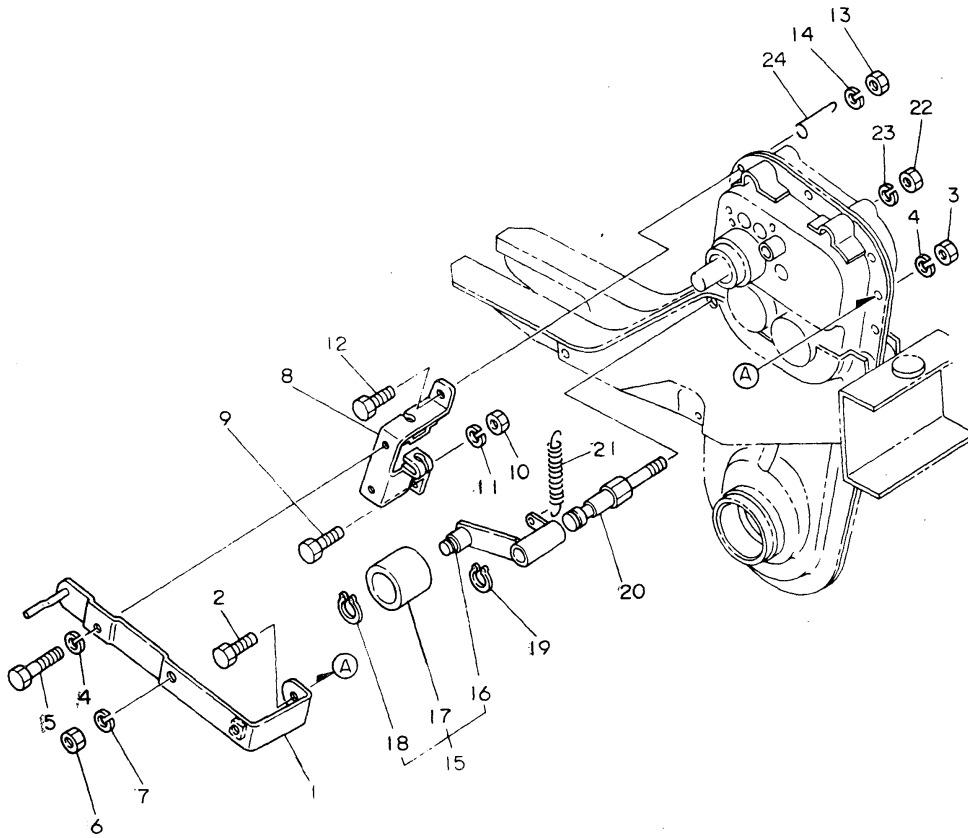
(A)=KF34G
(B)=
(C)=

(D)=
(E)=
(F)=

No.	Lev.	Parts No.	Description	Q'ty						I	R
				(A)	(B)	(C)	(D)	(E)	(F)		
1	1	1Z3650-81100		1							
2	2	1Z3650-81110		1							
3	2	1Z3601-81230		1							
4	2	1Z3601-84360		1							
5	2	1Z3650-84390		1							
6	2	1Z3601-84400		1							
7	1	1Z3554-85120		1							
8	1	1Z2301-84101		1							
9	1	1Z7270-84180		1							
10	1	1Z7270-84190		1							
11	1	1Z3650-81640		1							
12	1	26023-040102	SCREW, M4X10	1							
13	1	26013-080302	BOLT, M8X 30	2							
14	1	26021-040202		2							
15	1	1Z362T-16120		1							
16	1	26013-060162	BOLT, M6X 16	4							
17	1	22137-060000	WASHER, 6	4							
18	1	1Z3252-34810		1							
19	1	1Z362T-16110		1							
20	1	26013-060122	BOLT, M6X 12	4							
21	1	22137-060000	WASHER, 6	4							
22	1	1Z2693-16710		1							
23	1	1Z5483-08510		1							
24	1	1Z5446-08110		1							
25	1	1Z362H-08260		1							
26	1	1Z3640-34300		1							
27	2	1Z3640-34320		1							
28	2	1Z3620-34431		1							
29	2	1Z3620-34511		1							
30	2	1Z5470-34490		1							
31	2	1Z5470-34460		1							
32	2	1Z5470-34420		1							
33	2	1Z5470-34450		1							
34	2	1Z3640-34410		1							
35	2	1Z5470-34520		1							
36	2	1Z4221-34530		1							
37	2	1Z3601-34540		1							
38	1	26013-060122	BOLT, M6X 12	3							
39	1	26011-060102		3							

Fig.37. MAIN CLUTCH

37 MAIN CLUTCH



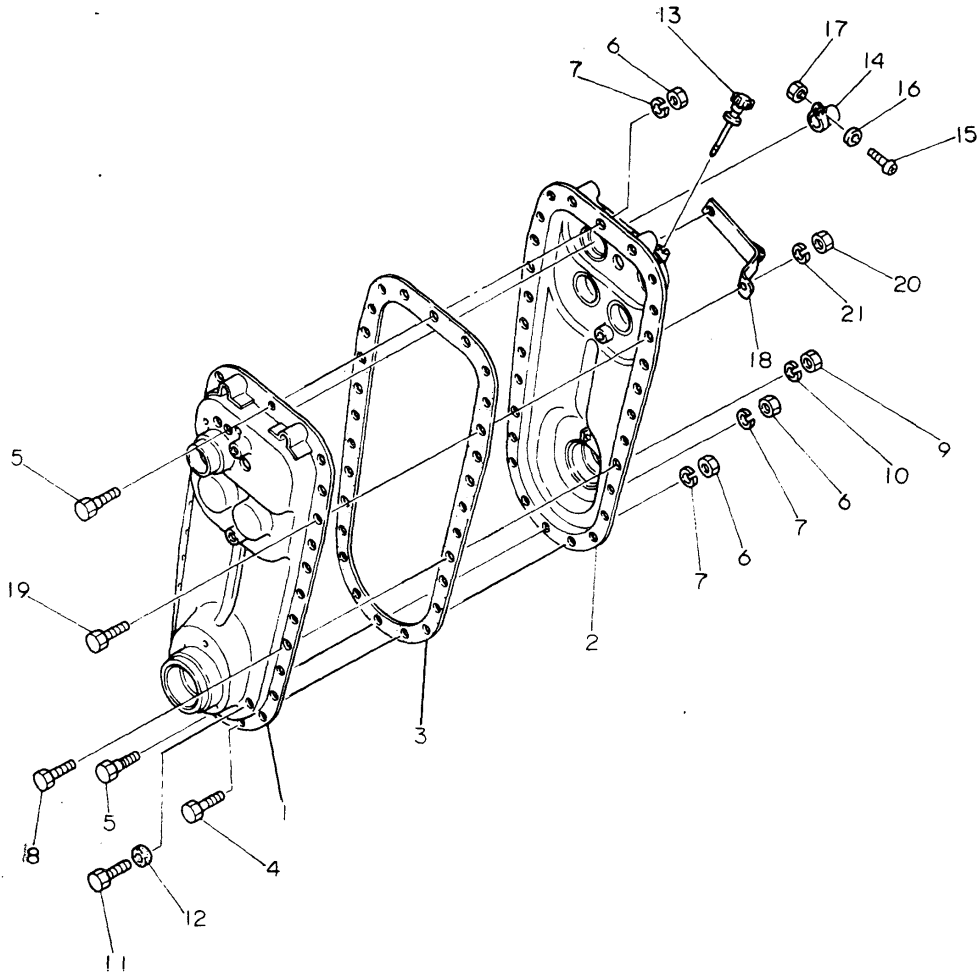
(A)=YK350SF
(B)=
(C)=

(D)=
(E)=
(F)=

No.	Lev.	Parts No.	Description	Q'ty						I	R
				(A)	(B)	(C)	(D)	(E)	(F)		
1	1	1A1107-64120		1							
2	1	26117-060162		1							
3	1	26717-060002	NUT, M6	1							
4	1	22217-060000	WASHER, SPRING 6	2							
5	1	26117-060122		1							
6	1	26757-080002	NUT, LOCK M8	1							
7	1	22217-080000	WASHER, SPRING 8	1							
8	1	1A1106-21600		1							
9	1	26117-100202		1							
10	1	26717-100002	NUT, M10	1							
11	1	22217-100000	WASHER, SPRING 10	1							
12	1	26117-060162		1							
13	1	26717-060002	NUT, M6	1							
14	1	22217-060000	WASHER, SPRING 6	1							
15	1	7A1106-19000		1							
16	2	1A1106-19200		1							
17	2	1A1104-14000		1							
18	2	22242-000170	RING, 17	1							
19	1	22242-000140	RING, 14	1							
20	1	1A1104-16400		1							
21	1	1A1105-16001		1							
22	1	26717-100002	NUT, M10	1							
23	1	22217-100000	WASHER, SPRING 10	1							
24	1	1A1105-54600		1							

Fig.38. MISSION HOUSING 1

38 MISSION HOUSING



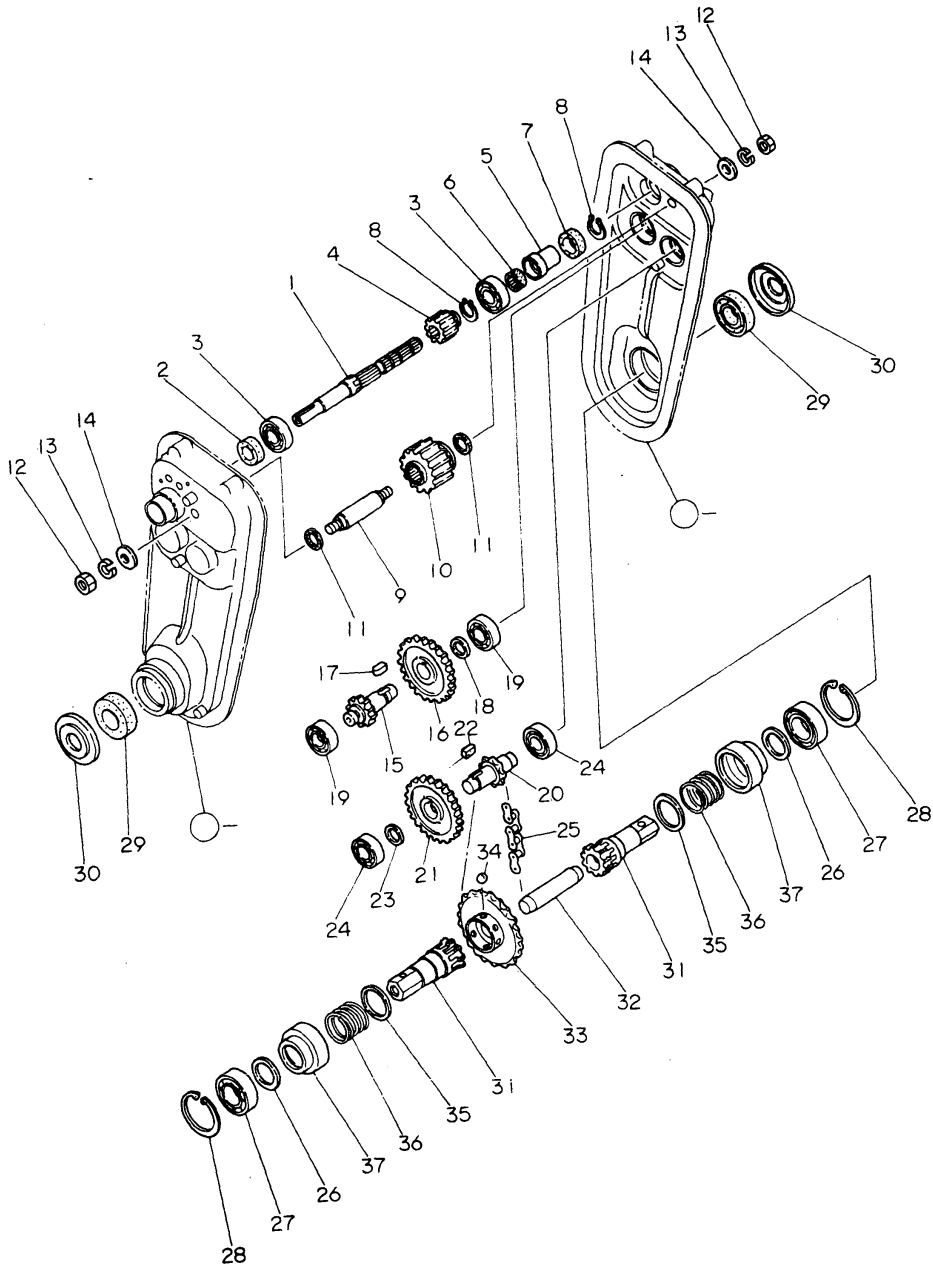
(A)=YK350SF
(B)=
(C)=

(D)=
(E)=
(F)=

No.	Lev.	Parts No.	Description	Q'ty						I	R
				(A)	(B)	(C)	(D)	(E)	(F)		
1	1	1A1106-29001		1							
2	1	1A1106-29011		1							
3	1	1A1104-28001		1							
4	1	26117-060142		14							
5	1	1A1104-26400		2							
6	1	26717-060002	NUT, M6	16							
7	1	22217-060000	WASHER, SPRING 6	16							
8	1	26117-100182		2							
9	1	26717-100002	NUT, M10	2							
10	1	22217-100000	WASHER, SPRING 10	2							
11	1	26117-080102		1							
12	1	1A1105-28020		1							
13	1	1A1104-21300		1							
14	1	1A1105-21300		1							
15	1	26557-050252	SCREW, M5X25	1							
16	1	22137-050000	WASHER, 5	1							
17	1	26717-050002	NUT, M5	1							
18	1	1A1106-29140		1							
19	1	26117-100252		1							
20	1	26717-100002	NUT, M10	1							
21	1	22217-100000	WASHER, SPRING 10	1							

Fig.39. MISSION HOUSING 2

39 TRANSMISSION



(A)=YK350SF

(B)=

(C)=

(D)=

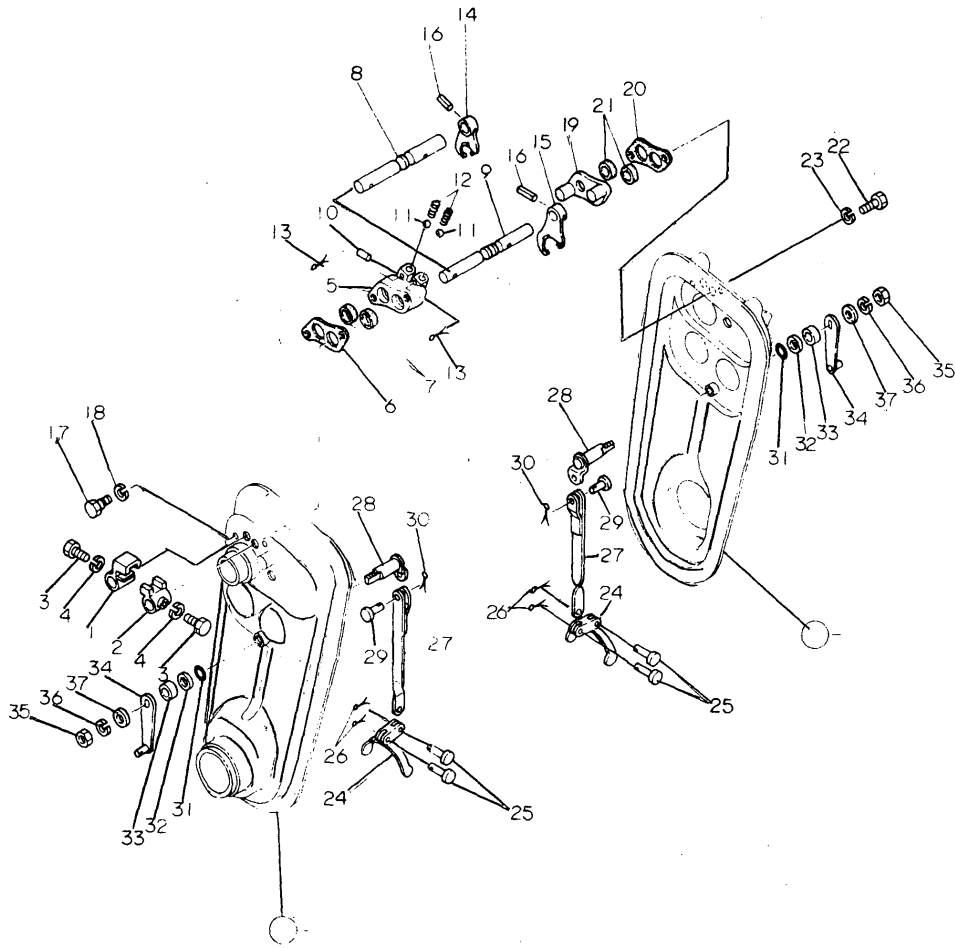
(E)=

(F)=

No.	Lev.	Parts No.	Description	Q'ty						I	R
				(A)	(B)	(C)	(D)	(E)	(F)		
1	1	1A1104-25001		1							
2	1	1A1104-28210		1							
3	1	24101-062034	BEARING, BALL 6203	2							
4	1	1A1104-24002		1							
5	1	1A1104-23001		1							
6	1	1A1104-28200		1							
7	1	1A1104-28220		1							
8	1	22242-000170	RING, 17	2							
9	1	1A1104-25010		1							
10	1	1A1410-24010		1							
11	1	1A1104-28010		2							
12	1	26717-100002	NUT, M10	2							
13	1	22217-100000	WASHER, SPRING 10	2							
14	1	22147-100000		2							
15	1	1A1410-24030		1							
16	1	1A1104-24040		1							
17	1	1A1104-25201		1							
18	1	1A1104-23200		1							
19	1	24101-062034	BEARING, BALL 6203	2							
20	1	1A1104-24052		1							
21	1	1A1410-24060		1							
22	1	1A1104-25201		1							
23	1	1A1104-23200		1							
24	1	24101-062034	BEARING, BALL 6203	2							
25	1	1A1104-24200		1							
26	1	1A1105-23230		2							
27	1	24101-060074	BEARING, BALL 6007	2							
28	1	22252-000620	RING, 62	2							
29	1	1A1104-28240		2							
30	1	1A1105-21310		2							
31	1	1A1106-29500		2							
32	1	1A1105-25060		1							
33	1	1A1106-24071		1							
34	1	1A1105-26600		12							
35	1	1A1105-23240		2							
36	1	1A1105-26000		2							
37	1	1A1105-27000		2							

Fig.40. SPEED CHANGE

40 SPEED CHANGE



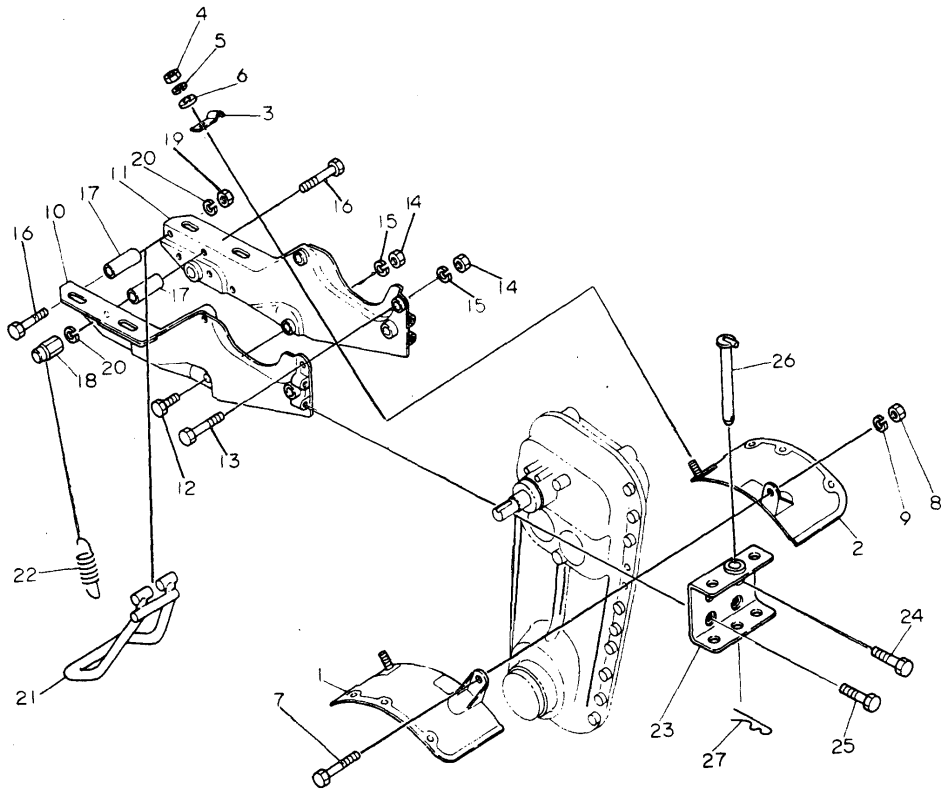
(A)=YK350SF
(B)=
(C)=

(D)=
(E)=
(F)=

No.	Lev.	Parts No.	Description	Q'ty						I	R
				(A)	(B)	(C)	(D)	(E)	(F)		
1	1	1A1104-27001		1							
2	1	1A1104-27011		1							
3	1	26117-060142		2							
4	1	22217-060000	WASHER, SPRING 6	2							
5	1	1A1104-27020		1							
6	1	1A1105-28040		1							
7	1	1A1104-28230		2							
8	1	1A1104-27030		1							
9	1	1A1104-27040		1							
10	1	1A1105-27050		1							
11	1	1A1105-26600		2							
12	1	1A1105-26020		2							
13	1	22411-200180		2							
14	1	1A1104-27050		1							
15	1	1A1104-27060		1							
16	1	22351-040018	PIN, SPRING 4.0X18	2							
17	1	26117-080162		2							
18	1	22217-080000	WASHER, SPRING 8	2							
19	1	1A1104-27070		1							
20	1	1A1105-28040		1							
21	1	1A1104-28230		2							
22	1	26117-080162		2							
23	1	22217-080000	WASHER, SPRING 8	2							
24	1	1A1105-24400		2							
25	1	1A1105-26200		4							
26	1	22411-200100		4							
27	1	1A1106-24411		2							
28	1	1A1106-24442		2							
29	1	1A1105-26210		2							
30	1	22411-200100		2							
31	1	24311-000100	O-RING, 1AP10.0	2							
32	1	1A1105-28220		2							
33	1	1A1105-24481		2							
34	1	1A1105-24490		2							
35	1	26717-080002	NUT, M8	2							
36	1	22217-080000	WASHER, SPRING 8	2							
37	1	22137-080000	WASHER, 8	2							

Fig.41. FRAME FENDER

41 FRAME & FENDER



(A)=YK350SF

(B)=

(C)=

(D)=

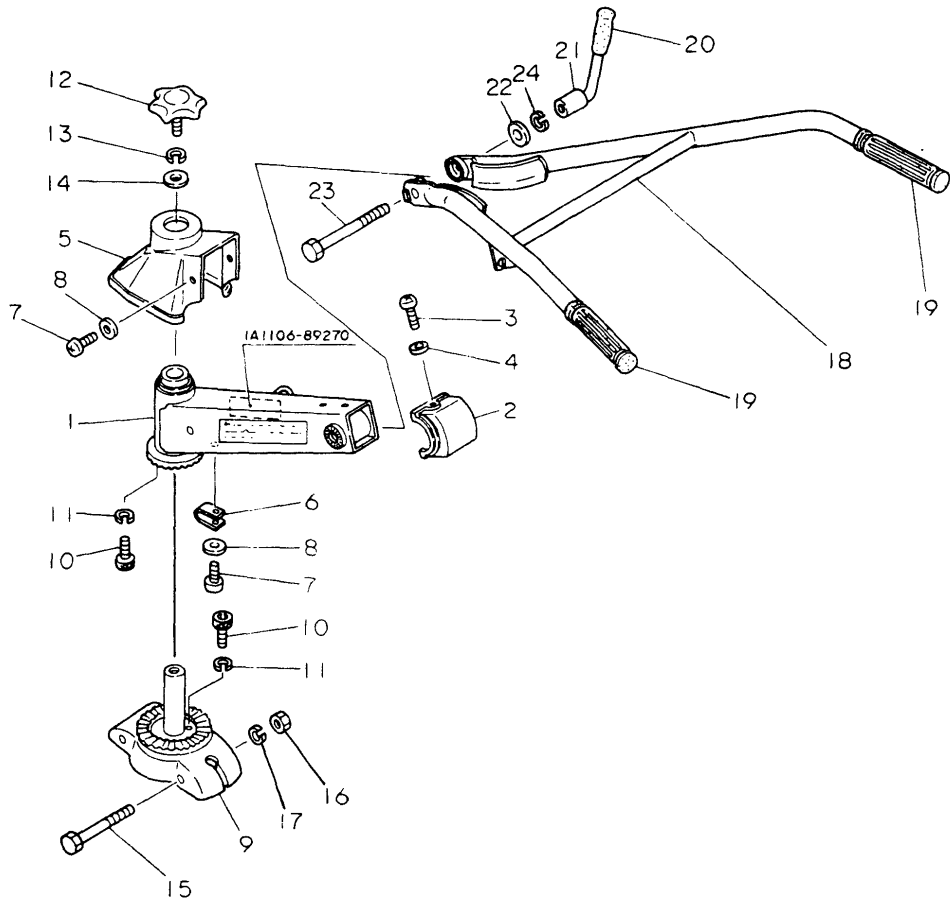
(E)=

(F)=

No.	Lev.	Parts No.	Description	Q'ty						I	R
				(A)	(B)	(C)	(D)	(E)	(F)		
1	1	1A1104-31000		1							
2	1	1A1104-31010		1							
3	1	1A1105-54621		1							
4	1	26717-080002	NUT, M8	2							
5	1	22217-080000	WASHER, SPRING 8	2							
6	1	22137-080000	WASHER, 8	2							
7	1	26116-100902	BOLT, M10X 90 PLATED	1							
8	1	26717-100002	NUT, M10	1							
9	1	22217-100000	WASHER, SPRING 10	1							
10	1	1A1104-61000		1							
11	1	1A1104-61100		1							
12	1	26116-100352	BOLT, M10X 35 PLATED	1							
13	1	26116-100552	BOLT, M10X 55 PLATED	1							
14	1	26717-100002	NUT, M10	3							
15	1	22217-100000	WASHER, SPRING 10	3							
16	1	26117-080502		2							
17	1	1A1104-63001		3							
18	1	1A1104-66400		1							
19	1	26717-080002	NUT, M8	2							
20	1	22217-080000	WASHER, SPRING 8	2							
21	1	1A1107-63000		1							
22	1	1A1104-66000		1							
23	1	1A1107-62001		1							
24	1	1A1104-66201		2							
25	1	1A1104-66250		2							
26	1	1A1105-66200		1							
27	1	22360-160000	PIN, SNAP 16	1							

Fig.42. HANDLE

42 HANDLE



(A)=YK350SF

(B)=

(C)=

(D)=

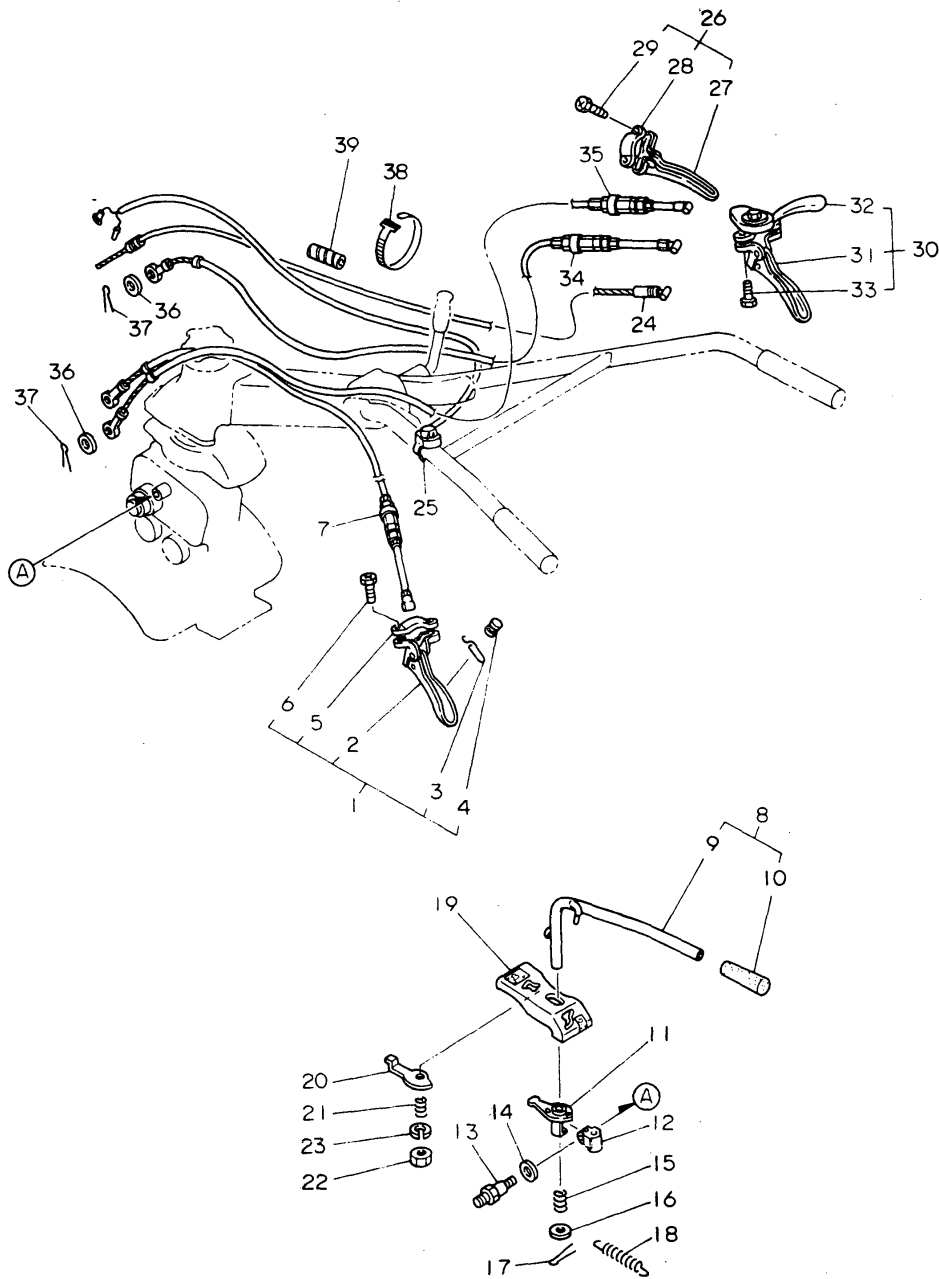
(E)=

(F)=

No.	Lev.	Parts No.	Description	Q'ty						I	R
				(A)	(B)	(C)	(D)	(E)	(F)		
1	1	1A1107-51000		1							
2	1	1A1320-51600		1							
3	1	26557-050102	SCREW, M5X10	2							
4	1	22137-050000	WASHER, 5	2							
5	1	1A1104-51700		1							
6	1	1A1104-54610		1							
7	1	26557-060122	SCREW, M6X12	3							
8	1	22137-060000	WASHER, 6	3							
9	1	1A1104-51070		1							
10	1	26450-060102	BOLT, M6X 10	2							
11	1	22217-060000	WASHER, SPRING 6	2							
12	1	1A1104-52001		1							
13	1	22217-140000	WASHER, SPRING 14	1							
14	1	1A1104-53200		1							
15	1	26116-100852	BOLT, M10X 85 PLATED	2							
16	1	26717-100002	NUT, M10	2							
17	1	22217-100000	WASHER, SPRING 10	2							
18	1	1A1104-51400		1							
19	1	1A1105-51630		2							
20	1	1A1102-57100		1							
21	1	1A1320-52100		1							
22	1	22137-140000	WASHER, 14	1							
23	1	26117-141252		1							
24	1	22217-140000	WASHER, SPRING 14	1							

Fig.43. LEVER CABLE

43 LEVER & CABLE



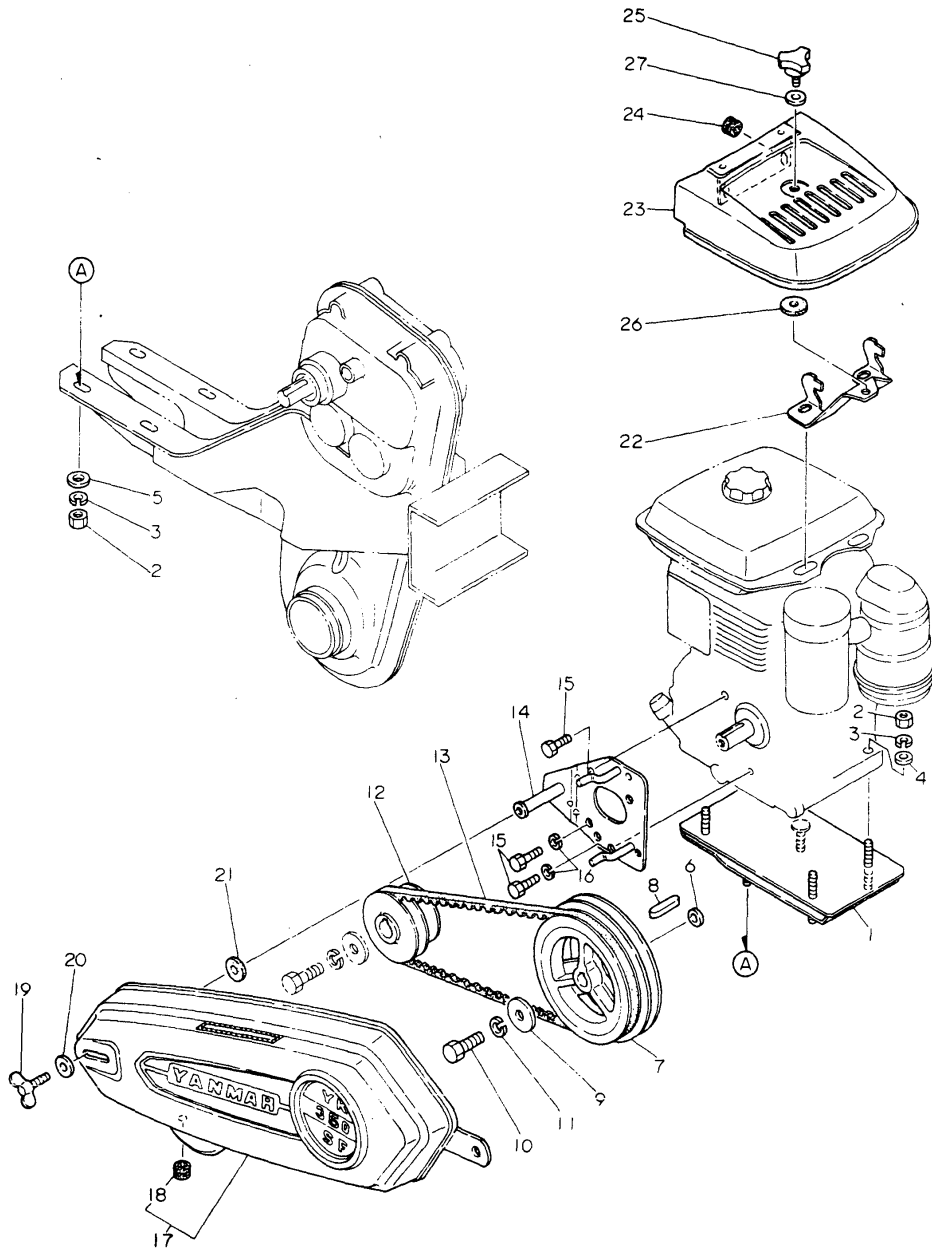
(A)=YK350SF
(B)=
(C)=

(D)=
(E)=
(F)=

No.	Lev.	Parts No.	Description	Q'ty						I	R
				(A)	(B)	(C)	(D)	(E)	(F)		
1	1	7A1108-17100		1							
2	2	1A1310-17000		1							
3	2	1A1108-17100		1							
4	2	1A1108-17110		1							
5	2	1A1102-57390		1							
6	2	26557-060222		1							
7	1	1A1107-54200		1							
8	1	7A1104-50021		1							
9	2	1A1104-57011		1							
10	2	1A1102-57100		1							
11	1	1A1104-57061		1							
12	1	1A1104-57091		1							
13	1	1A1104-56200		1							
14	1	22137-120000	WASHER, 12	1							
15	1	1A1104-56030		1							
16	1	1A1104-53100		1							
17	1	22417-200180		1							
18	1	1A1107-56000		1							
19	1	1A1107-51600		1							
20	1	1A1104-57130		1							
21	1	1A1104-56021		1							
22	1	26717-060002	NUT, M6	1							
23	1	22217-060000	WASHER, SPRING 6	1							
24	1	1A1360-54590		1							
25	1	1A1107-54220		1							
26	1	7A1108-50720		1							
27	2	1A1108-57350		1							
28	2	1A1108-57390		1							
29	2	26557-060222		2							
30	1	7A1108-50730		1							
31	2	1A1102-57360		1							
32	2	1A1108-57400		1							
33	2	26557-060222		2							
34	1	1A1104-54210		1							
35	1	1A1105-54232		1							
36	1	22137-060000	WASHER, 6	2							
37	1	22417-200120		2							
38	1	1A1105-54670		2							
39	1	1A1108-54600		1							

Fig.44. BELT COVER

44 BELT COVER



(A)=YK350SF

(B)=

(C)=

(D)=

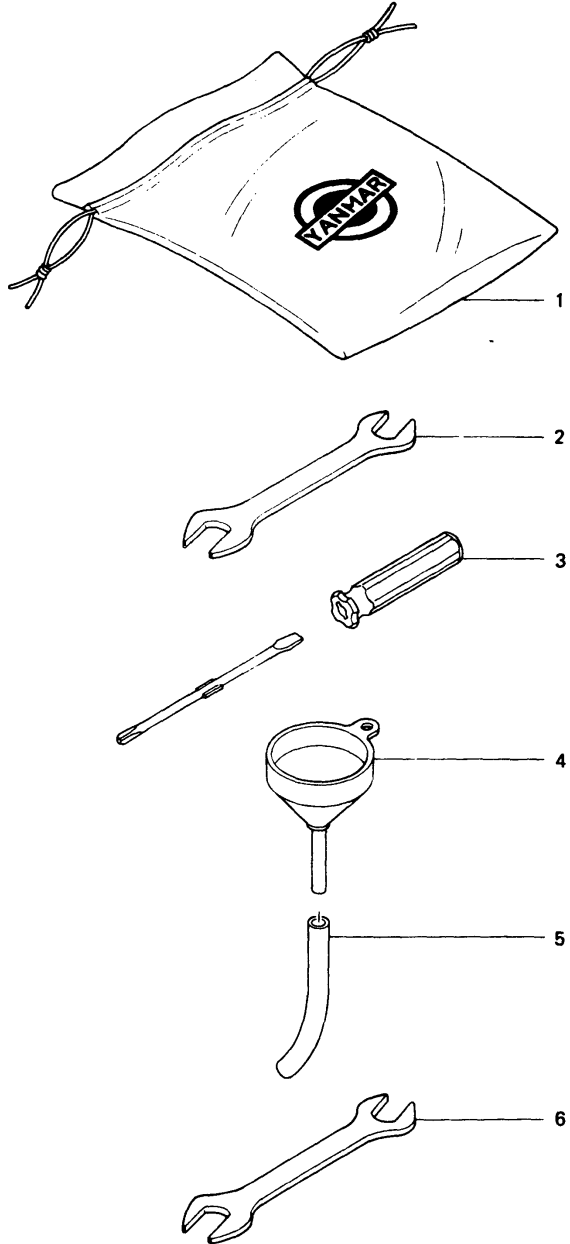
(E)=

(F)=

No.	Lev.	Parts No.	Description	Q'ty						I	R
				(A)	(B)	(C)	(D)	(E)	(F)		
1	1	1A1106-69000		1							
2	1	26717-080002	NUT, M8	8							
3	1	22217-080000	WASHER, SPRING 8	8							
4	1	22137-080000	WASHER, 8	4							
5	1	1D1140-11420		4							
6	1	1D1140-11420		1							
7	1	1A1104-11001		1							
8	1	1A1105-15200		1							
9	1	1A1104-11100		1							
10	1	26117-080252		1							
11	1	22217-080000	WASHER, SPRING 8	1							
12	1	1A1106-69240		1							
13	1	1A1104-74520		1							
14	1	1A1106-69500		1							
15	1	26117-080162		3							
16	1	22217-080000	WASHER, SPRING 8	2							
17	1	1A1106-69400		1							
18	2	1H6020-60170		1							
19	1	1A1105-66401		2							
20	1	22137-080000	WASHER, 8	2							
21	1	1A1108-66410		2							
22	1	1A1108-62200		1							
23	1	1A1108-62150		1							
24	1	1H6020-60170		2							
25	1	1A1108-66400		1							
26	1	1A1108-66410		1							
27	1	22137-080000	WASHER, 8	1							

Fig.45. TOOL

45 TUUL



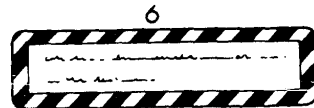
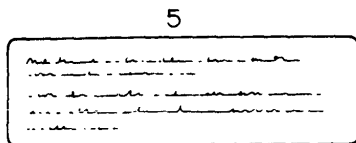
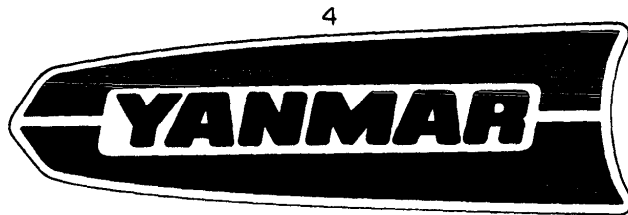
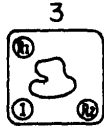
(A)=YK350SF
(B)=
(C)=

(D)=
(E)=
(F)=

No.	Lev.	Parts No.	Description	Q'ty						I	R
				(A)	(B)	(C)	(D)	(E)	(F)		
1	1	1D1510-18090		1							
2	1	1D1140-18080		1							
3	1	1D2040-87060		1							
4	1	1A1105-83000		1							
5	1	1A1102-83110		1							
6	1	1A1105-81000		1							

Fig.46. LABEL

46 LABEL



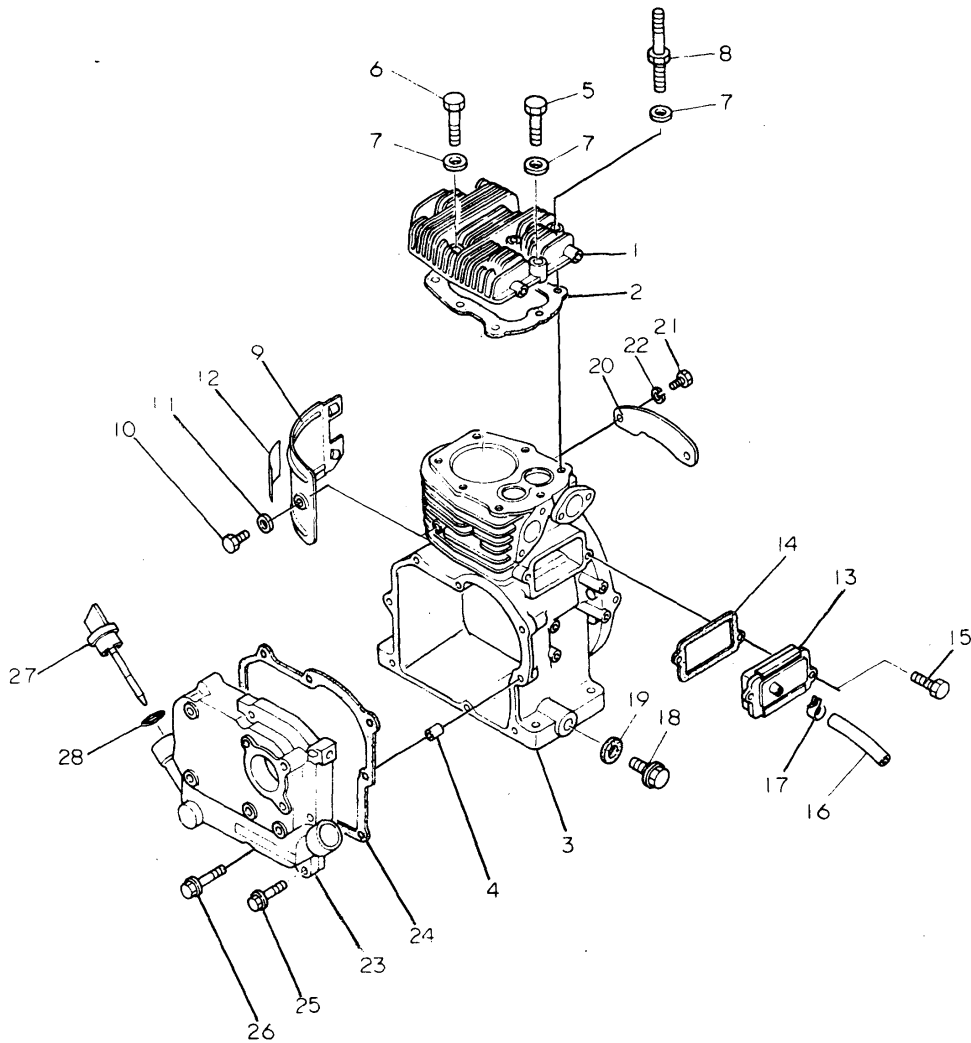
(A)=YK350SF
(B)=
(C)=

(D)=
(E)=
(F)=

No.	Lev.	Parts No.	Description	Q'ty						I	R
				(A)	(B)	(C)	(D)	(E)	(F)		
1	1	1A1106-89000		1							
2	1	1A1104-88031		1							
3	1	1A1107-88040		1							
4	1	1A1104-88011		1							
5	1	1A1107-88130		1							
6	1	1A1107-88650		1							
7	1	1A1103-88010		1							

Fig.47. CYLINDER BLOCK

47 CYLINDER



(A)=KF53-A

(B)=

(C)=

(D)=

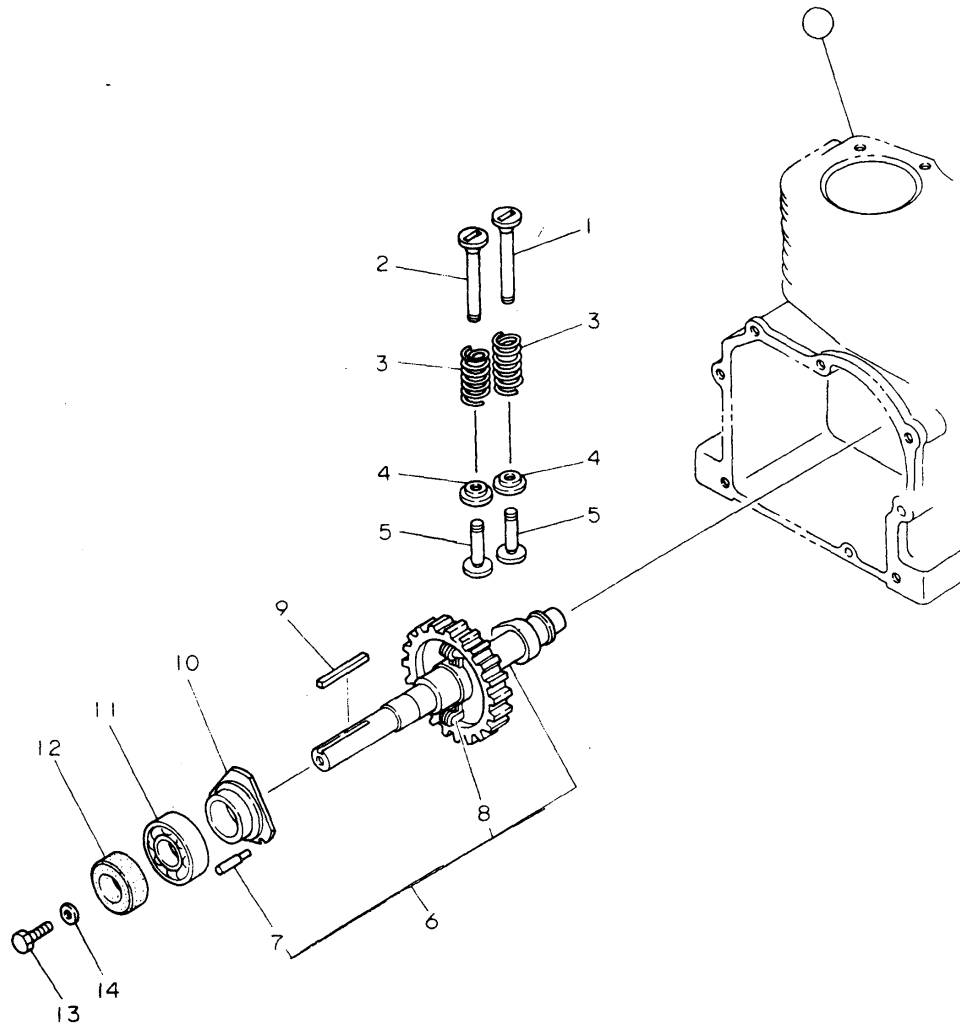
(E)=

(F)=

No.	Lev.	Parts No.	Description	Q'ty						I	R
				(A)	(B)	(C)	(D)	(E)	(F)		
1	1	1Z5470-11110		1							
2	1	1Z4250-11211		1							
3	1	1Z5441-41100		1							
4	1	1Z0056-10120		2							
5	1	26116-100402	BOLT, M10X 40 PLATED	1							
6	1	26116-100452	BOLT, M10X 45 PLATED	4							
7	1	22117-100000	WASHER, 10	7							
8	1	1Z5479-11810		2							
9	1	1Z5440-16320		1							
10	1	26013-060122	BOLT, M6X 12	1							
11	1	22137-060000	WASHER, 6	1							
12	1	1Z5479-08130		1							
13	1	1Z5470-12310		1							
14	1	1Z4250-12320		1							
15	1	26013-060122	BOLT, M6X 12	2							
16	1	23601-070090		1							
17	1	1Z3676-15320		1							
18	1	1Z5470-74410		2							
19	1	1Z5470-72140		2							
20	1	1Z5470-84680		1							
21	1	1Z0011-05080		2							
22	1	22217-050000	WASHER, SPRING 5	2							
23	1	1Z5446-41210		1							
24	1	1Z4250-41240		1							
25	1	26011-060322		6							
26	1	26011-060422		2							
27	1	1Z3650-74111		1							
28	1	1Z5192-74320		1							

Fig.48. CAM SHAFT

48 CAM SHAFT



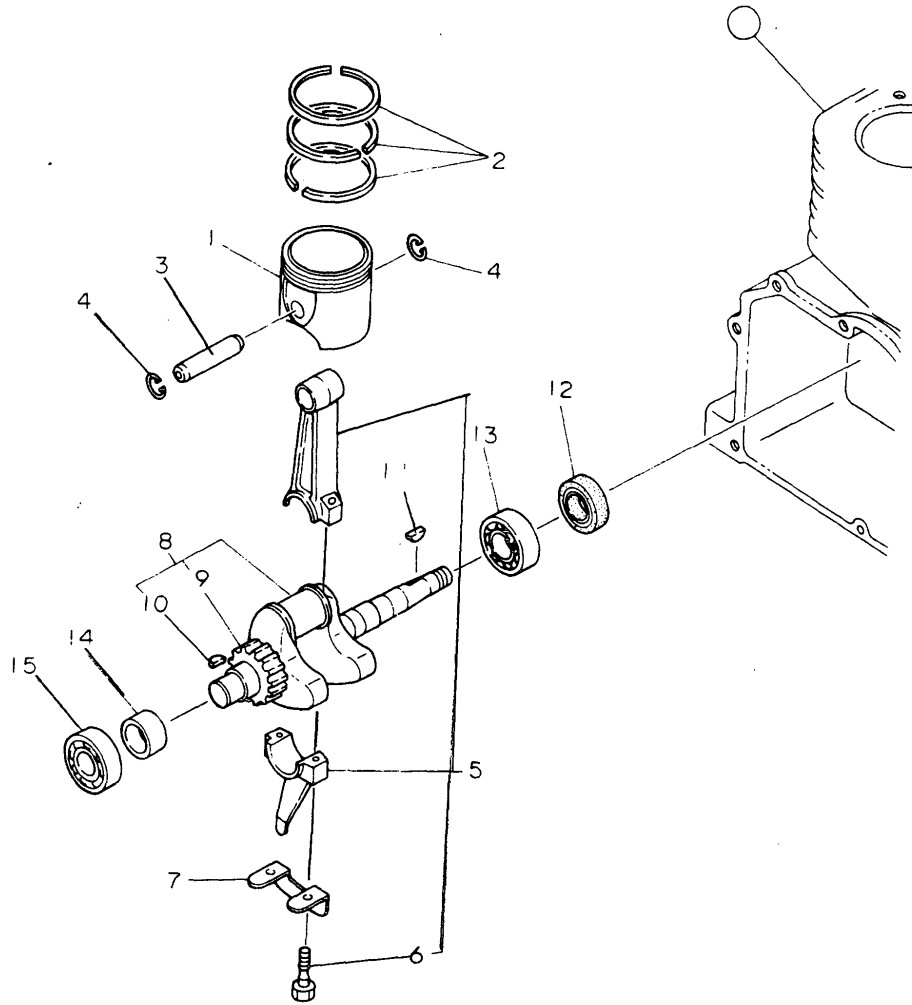
(A)=KF53-A
(B)=
(C)=

(D)=
(E)=
(F)=

No.	Lev.	Parts No.	Description	Q'ty						I	R
				(A)	(B)	(C)	(D)	(E)	(F)		
1	1	1Z5400-21110		1							
2	1	1Z5470-21120		1							
3	1	1Z5470-21130		2							
4	1	1Z5470-21160		2							
5	1	1Z4250-22110		2							
6	1	1Z5470-23100		1							
7	2	1Z3501-51150		1							
8	2	1Z4201-51100		1							
9	1	1Z0050-05400		1							
10	1	1Z4250-51210		1							
11	1	24101-062054	BEARING, BALL 6205	1							
12	1	1Z4250-42350		1							
13	1	26013-080252	BOLT, M8X 25	1							
14	1	1Z3252-23830		1							

Fig.49. CRANK SHAFT PISTON

49 CRANK SHAFT



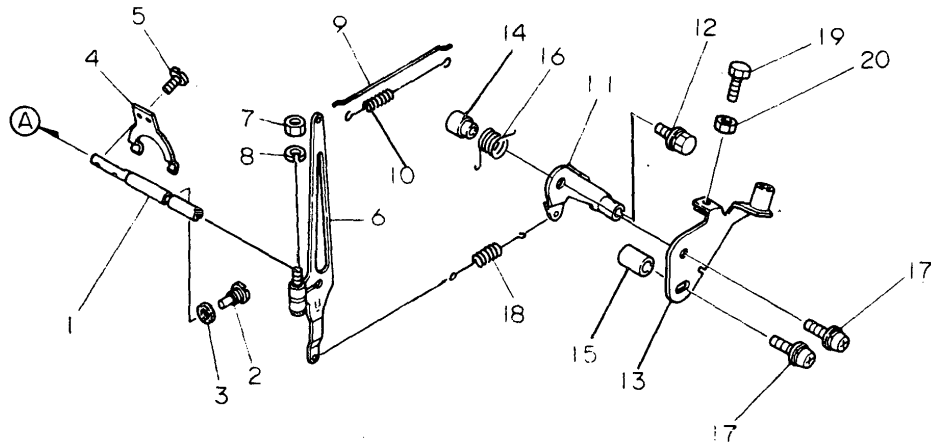
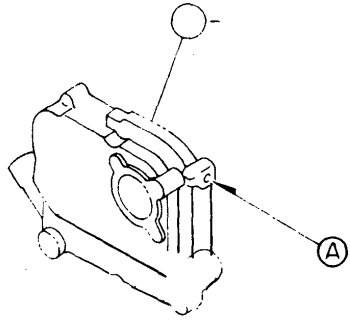
(A)=KF53-A
(B)=
(C)=

(D)=
(E)=
(F)=

No.	Lev.	Parts No.	Description	Q'ty						I	R
				(A)	(B)	(C)	(D)	(E)	(F)		
1	1	1Z4250-31111		1							
2	1	1Z5470-30100		1							
3	1	1Z5470-31210		1							
4	1	1Z3252-31220		2							
5	1	1Z4250-32400		1							
6	2	1Z5470-32450		2							
7	1	1Z3550-32480		1							
8	1	1Z5470-32100		1							
9	2	1Z4250-32170		1							
10	2	1Z3252-23710		1							
11	1	1Z3650-23710		1							
12	1	1Z4401-42310		1							
13	1	24101-063054	BEARING, BALL 6305	1							
14	1	1Z5470-32610		1							
15	1	24101-062054	BEARING, BALL 6205	1							

Fig.50. COVERNOR

50 GOVERNOR



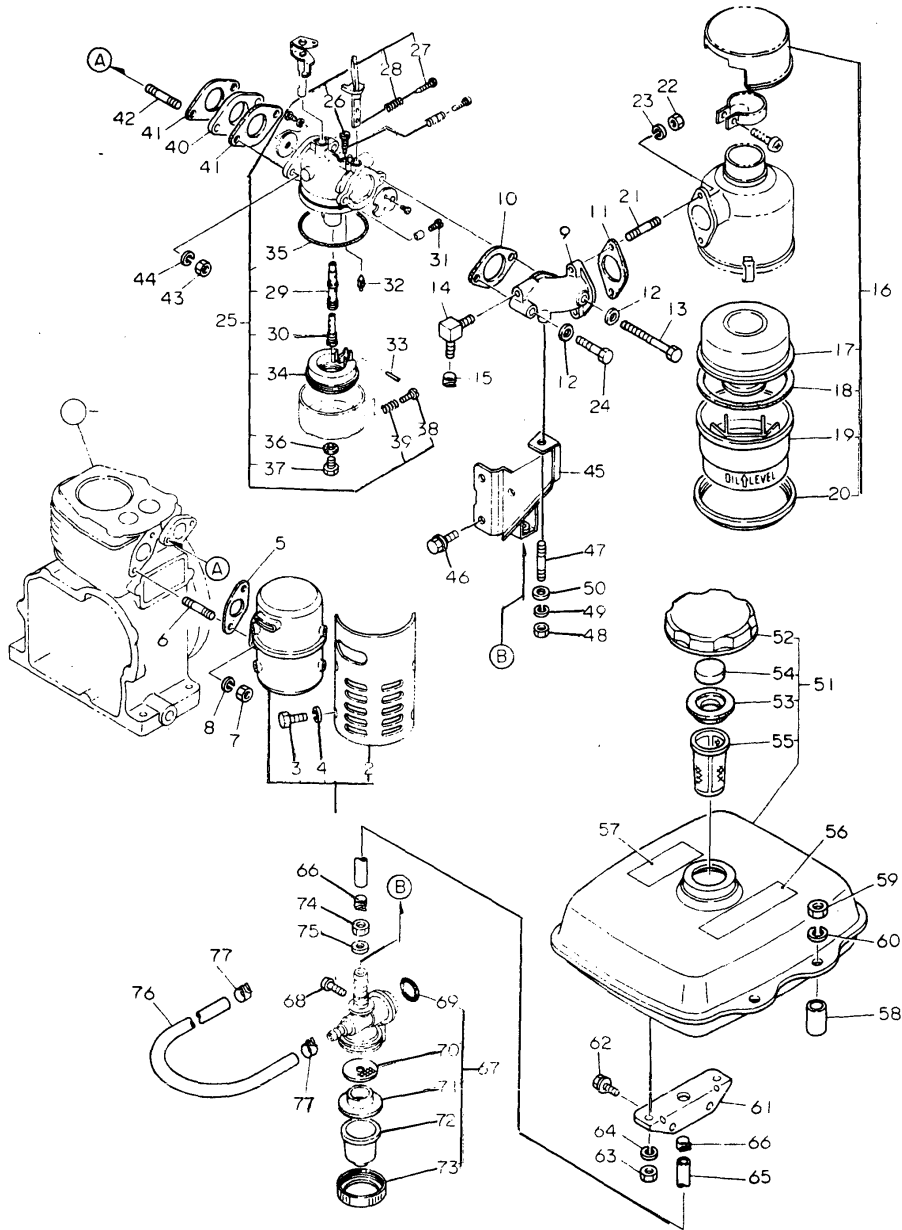
(A)=KF53-A
(B)=
(C)=

(D)=
(E)=
(F)=

No.	Lev.	Parts No.	Description	Q'ty						I	R
				(A)	(B)	(C)	(D)	(E)	(F)		
1	1	1Z4250-51230		1							
2	1	1Z5470-51240		1							
3	1	1Z5192-12330		1							
4	1	1Z4250-51220		1							
5	1	26022-040062		2							
6	1	1Z4250-52110		1							
7	1	26716-060002	NUT, M6	1							
8	1	22217-060000	WASHER, SPRING 6	1							
9	1	1Z5470-52310		1							
10	1	1Z4250-52320		1							
11	1	1Z4210-53100		1							
12	1	1Z0011-05080		1							
13	1	1Z2751-53310		1							
14	1	1Z8290-53320		1							
15	1	1Z8290-53330		1							
16	1	1Z3690-53170		1							
17	1	26021-060282		2							
18	1	1Z3650-53140		1							
19	1	1Z3640-53820		1							
20	1	26716-060002	NUT, M6	1							

Fig.51. AIR CLEANER MUFFLER

51 CLEANER.MUFFLER



(A)=KF53-A

(B)=

(C)=

(D)=

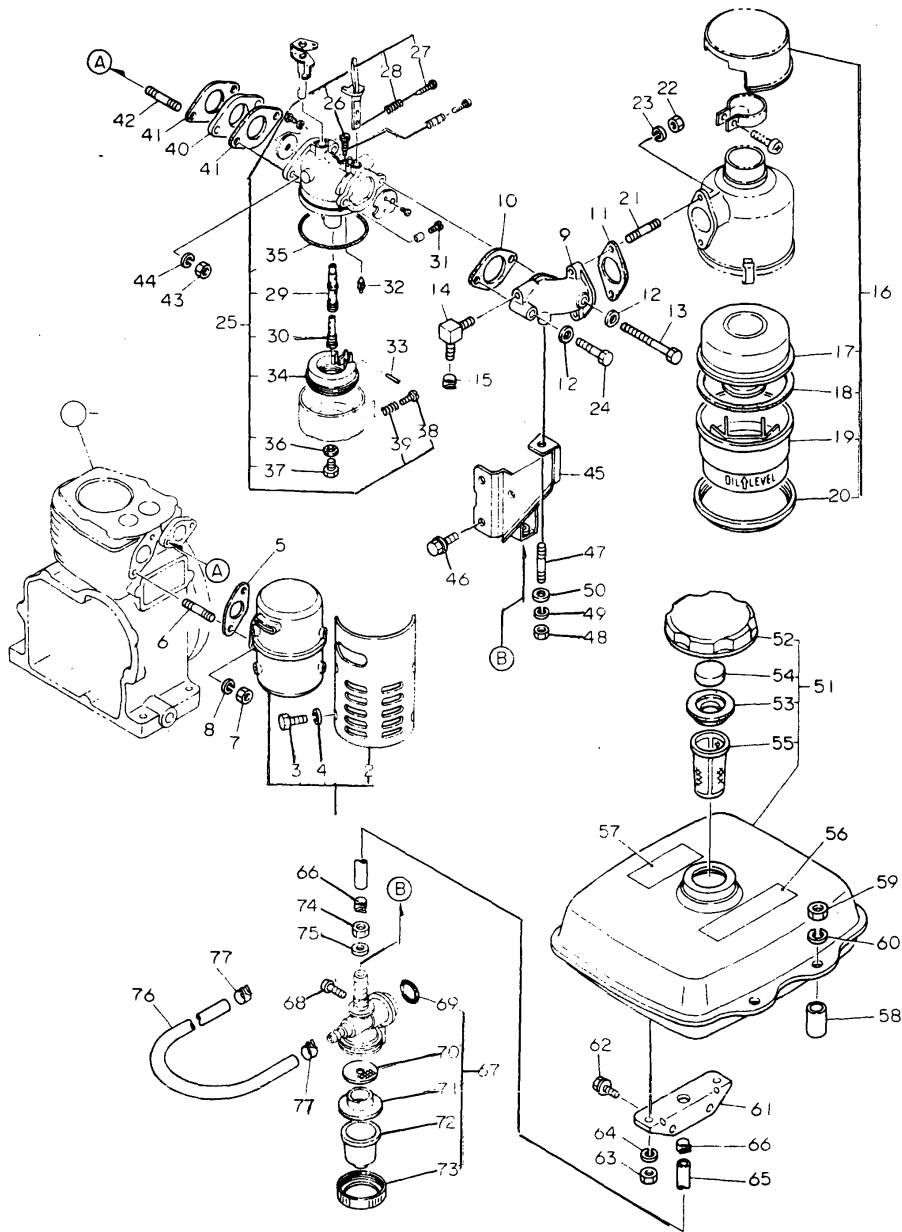
(E)=

(F)=

No.	Lev.	Parts No.	Description	Qty						I	R
				(A)	(B)	(C)	(D)	(E)	(F)		
1	1	1Z5479-14000		1							
2	2	1Z5479-14310		1							
3	2	1Z0011-06100		1							
4	2	22217-060000	WASHER, SPRING 6	1							
5	1	1Z4250-14420		1							
6	1	26217-080182		2							
7	1	26717-080002	NUT, M8	2							
8	1	22217-080000	WASHER, SPRING 8	2							
9	1	1Z5361-13310		1							
10	1	1Z4251-13320		1							
11	1	1Z4251-13330		1							
12	1	1Z6442-13810		2							
13	1	1Z0011-05550		1							
14	1	1Z5120-15330		1							
15	1	1Z3679-15320		1							
16	1	1Z5361-13100		1							
17	2	1Z4251-13120		1							
18	2	1Z4251-13230		1							
19	2	1Z4251-13160		1							
20	2	1Z4251-13190		1							
21	1	26217-050122		2							
22	1	26717-050002	NUT, M5	2							
23	1	22217-050000	WASHER, SPRING 5	2							
24	1	1Z0011-05350		1							
25	1	1Z5461-61000		1							
26	2	1Z6670-61120		1							
27	2	1Z3650-61140		1							
28	2	1Z2750-61160		1							
29	2	1Z3650-61290		1							
30	2	1Z3650-61060		1							
31	2	1Z3401-61320		1							
32	2	1Z4499-61220		1							
33	2	1Z4499-61270		1							
34	2	1Z5470-61260		1							
35	2	1Z3650-61280		1							
36	2	1Z8190-61590		1							
37	2	1Z3679-61430		1							
38	2	1Z5470-61330		1							
39	2	1Z3122-61160		1							
40	1	1Z5192-61810		1							
41	1	1Z5470-61840		2							
42	1	26216-050122	STUD, M5X 12	2							
43	1	26716-060002	NUT, M6	2							
44	1	22217-060000	WASHER, SPRING 6	2							
45	1	1Z5479-13620		1							
46	1	26011-060122		2							
47	1	1Z2707-12820		1							
48	1	26716-060002	NUT, M6	1							
49	1	22217-060000	WASHER, SPRING 6	1							
50	1	22137-060000	WASHER, 6	1							
51	1	1Z5479-66100		1							

Fig.51. AIR CLEANER MUFFLER

51 CLEANER.MUFFLER



(A)=KF53-A

(B)=

(C)=

(D)=

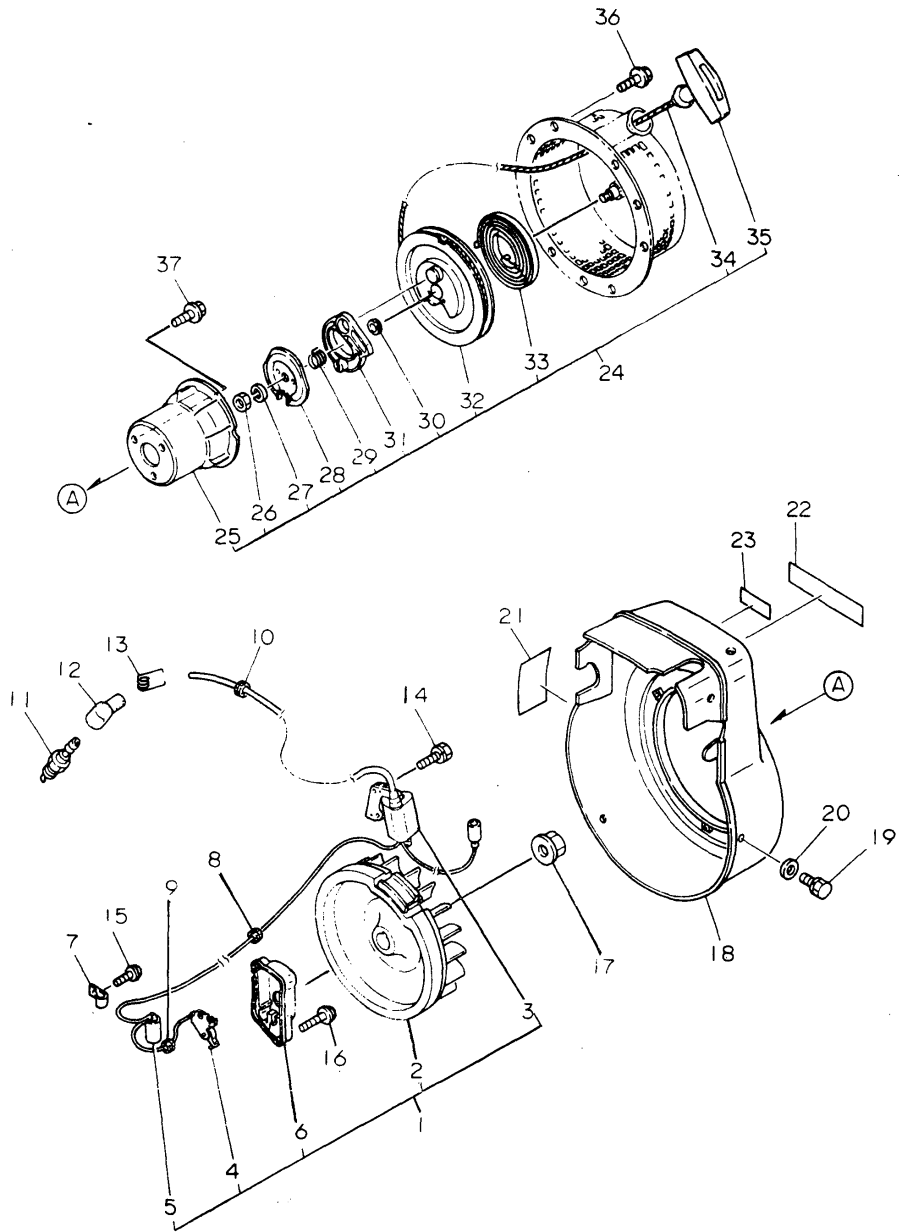
(E)=

(F)=

No.	Lev.	Parts No.	Description	Q'ty						I	R
				(A)	(B)	(C)	(D)	(E)	(F)		
52	2	1Z8290-66410		1							
53	2	1Z8290-66432		1							
54	2	1Z8290-66460		1							
55	2	1Z3592-66610		1							
56	1	1Z5479-08510		1							
57	1	1Z5479-08220		1							
58	1	1Z6470-11350		2							
59	1	26716-100002	NUT, M10	2							
60	1	22217-100000	WASHER, SPRING 10	2							
61	1	1Z4264-67110		1							
62	1	1Z0011-08140		2							
63	1	26717-080002	NUT, M8	2							
64	1	22217-080000	WASHER, SPRING 8	2							
65	1	1Z0070-07340		1							
66	1	1Z7196-68120		2							
67	1	1Z3650-65102		1							
68	2	1Z3650-65170		1							
69	2	1Z3650-65120		1							
70	2	1Z3650-65190		1							
71	2	1Z3650-65182		1							
72	2	1Z3650-65210		1							
73	2	1Z3650-65220		1							
74	1	1Z3650-65270		1							
75	1	1Z0046-10000		1							
76	1	1Z0070-04195		1							
77	1	1Z3679-68120		2							

Fig.52. MAGNET RECOIL

52 MAGNETO.RECOIL



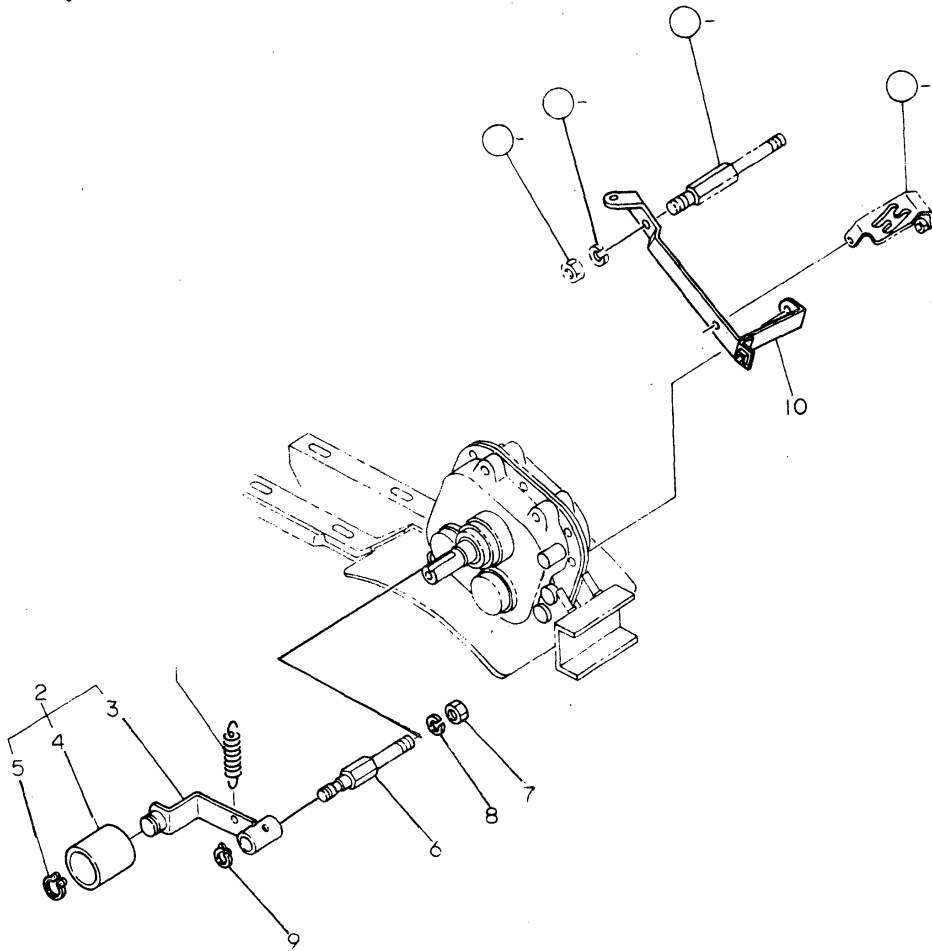
(A)=KF53-A
(B)=
(C)=

(D)=
(E)=
(F)=

No.	Lev.	Parts No.	Description	Q'ty						I	R
				(A)	(B)	(C)	(D)	(E)	(F)		
1	1	1Z5470-81100		1							
2	2	1Z5470-81110		1							
3	2	1Z5470-81230		1							
4	2	1Z5320-84400		1							
5	2	1Z4401-84360		1							
6	2	1Z5470-84390		1							
7	1	1Z4401-81290		1							
8	1	1Z4401-81640		1							
9	1	1Z5470-81640		1							
10	1	1Z3646-81640		1							
11	1	1Z2200-84100		1							
12	1	1Z7270-84180		1							
13	1	1Z7270-84190		1							
14	1	26013-050202		2							
15	1	26022-040102		2							
16	1	26022-040202		2							
17	1	1Z5470-34810		1							
18	1	1Z5479-16110		1							
19	1	26013-060122	BOLT, M6X 12	4							
20	1	22137-060000	WASHER, 6	4							
21	1	1Z5483-08510		1							
22	1	1Z5446-08110		1							
23	1	1Z5461-08260		1							
24	1	1Z5470-34300		1							
25	2	1Z5470-34320		1							
26	2	1Z6420-34431		1							
27	2	1Z6420-34511		1							
28	2	1Z5470-34490		1							
29	2	1Z5470-34460		1							
30	2	1Z5470-34420		1							
31	2	1Z5470-34450		1							
32	2	1Z5470-34410		1							
33	2	1Z5470-34520		1							
34	2	1Z4221-34530		1							
35	2	1Z3601-34540		1							
36	1	26011-060102		3							
37	1	26013-060122	BOLT, M6X 12	3							

Fig.53. MAI CLUTCH

53 MAI CLUTCH



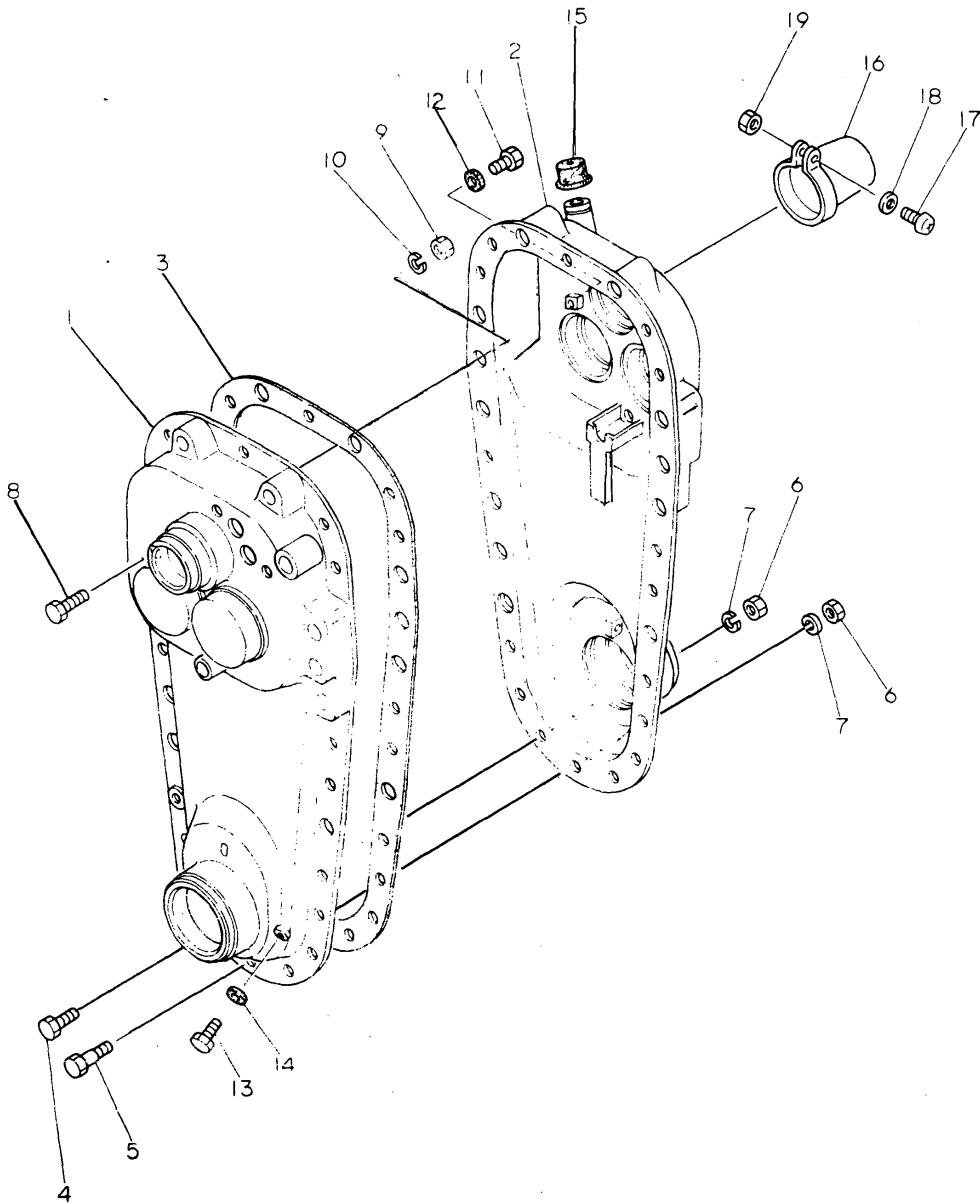
(A)=YK450SF
(B)=
(C)=

(D)=
(E)=
(F)=

No.	Lev.	Parts No.	Description	Q'ty						I	R
				(A)	(B)	(C)	(D)	(E)	(F)		
1	1	1A1105-16001		1							
2	1	7A1108-10000		1							
3	2	1A1108-11200		1							
4	2	1A1104-14000		1							
5	2	22242-000170	RING, 17	1							
6	1	1A1105-16401		1							
7	1	26717-100002	NUT, M10	1							
8	1	22217-100000	WASHER, SPRING 10	1							
9	1	22242-000140	RING, 14	1							
10	1	1A1108-64120		1							

Fig.54. MISSION HOUSING

54 MISSION HOUSING



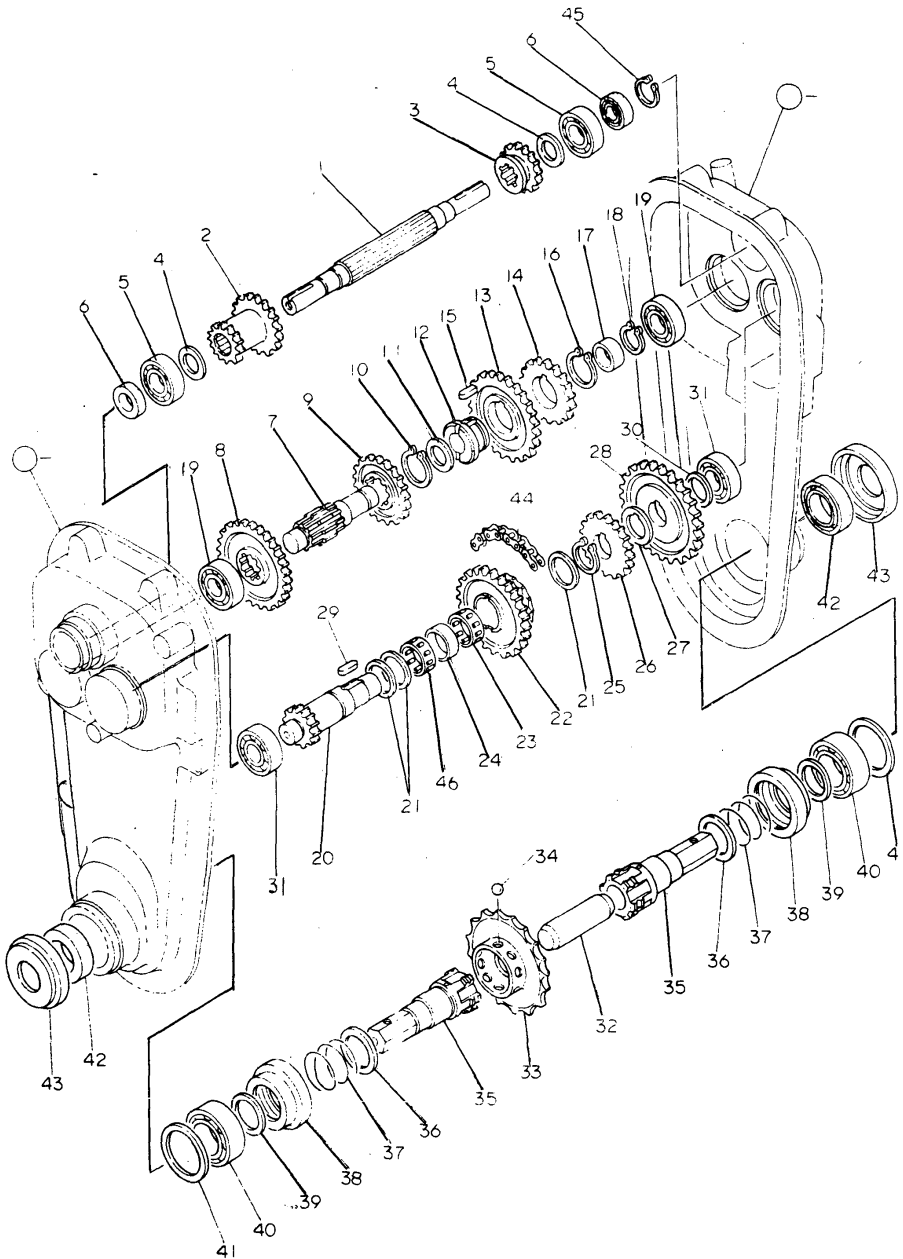
(A)=YK450SF
(B)=
(C)=

(D)=
(E)=
(F)=

No.	Lev.	Parts No.	Description	Qty						I	R
				(A)	(B)	(C)	(D)	(E)	(F)		
1	1	1A1108-21001		1							
2	1	1A1108-21151		1							
3	1	1A1360-28000		1							
4	1	26117-060142		10							
5	1	1A1105-26400		1							
6	1	26717-060002	NUT, M6	11							
7	1	22217-060000	WASHER, SPRING 6	11							
8	1	26117-100182		4							
9	1	26717-100002	NUT, M10	4							
10	1	22217-100000	WASHER, SPRING 10	4							
11	1	26117-060102		1							
12	1	1A1105-28010		1							
13	1	26117-080102		1							
14	1	1A1105-28020		1							
15	1	1A1105-28100		1							
16	1	1A1105-21300		1							
17	1	26557-050252	SCREW, M5X25	1							
18	1	22137-050000	WASHER, 5	1							
19	1	26717-050002	NUT, M5	1							

Fig.55. TRANSMISSION

55 TRANSMISSION



(A)=YK450SF

(B)=

(C)=

(D)=

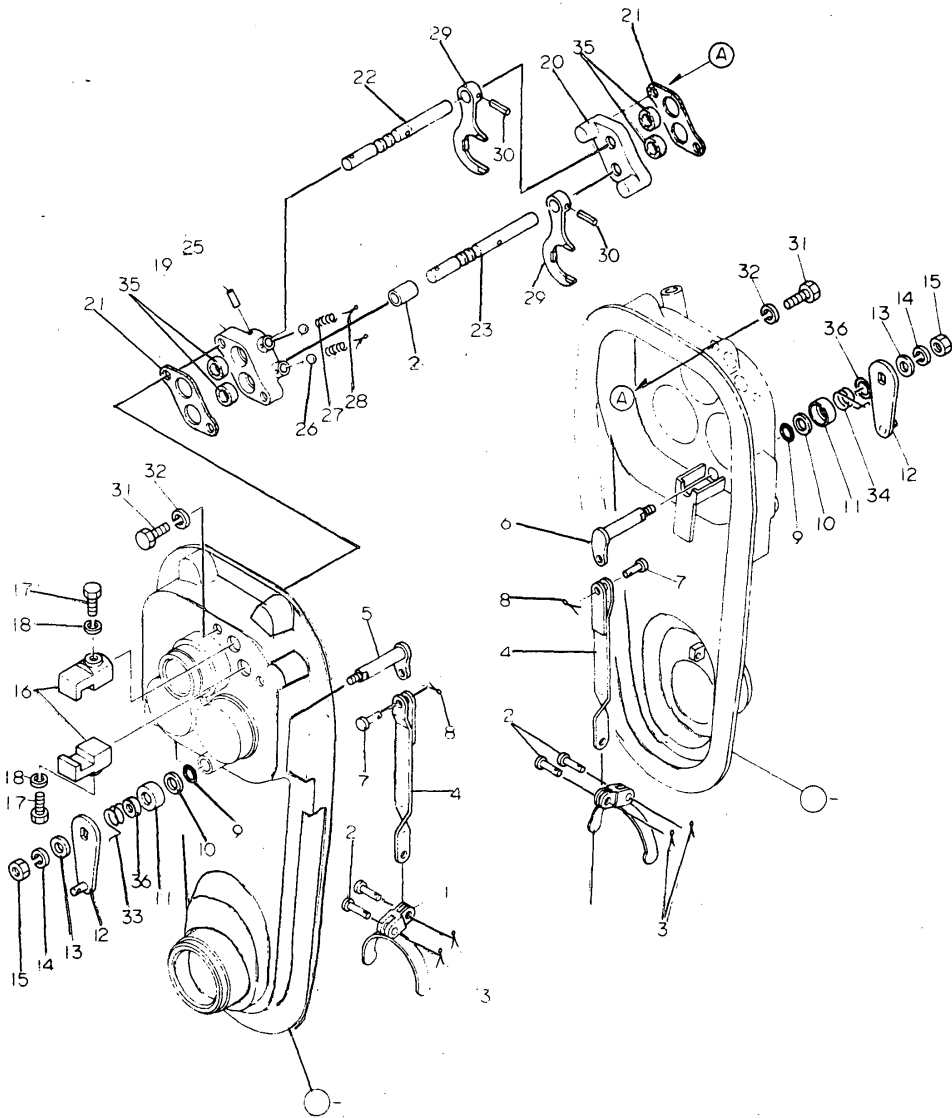
(E)=

(F)=

No.	Lev.	Parts No.	Description	Q'ty						I	R
				(A)	(B)	(C)	(D)	(E)	(F)		
1	1	1A1105-25001		1							
2	1	1A1105-24000		1							
3	1	1A1108-24110		1							
4	1	1A1105-23200		2							
5	1	24101-062044	BEARING, BALL 6204	2							
6	1	1A1105-28200		2							
7	1	1A1105-25010		1							
8	1	1A1105-24010		1							
9	1	1A1105-24020		1							
10	1	22242-000300	RING, 30	1							
11	1	1A1105-23200		1							
12	1	1A1105-25020		1							
13	1	1A1108-24030		1							
14	1	1A1105-24040		1							
15	1	1A1105-25200		1							
16	1	22242-000360	RING, 36	1							
17	1	1A1105-23010		1							
18	1	22242-000200	RING, 20	1							
19	1	24101-062044	BEARING, BALL 6204	2							
20	1	1A1360-25040		1							
21	1	1A1105-23210		3							
22	1	1A1360-24050		1							
23	1	1A1360-22200		1							
24	1	1A1360-23020		1							
25	1	22242-000220	RING, 22	1							
26	1	1A1105-24080		1							
27	1	1A1105-23030		1							
28	1	1A1108-24090		1							
29	1	1A1105-25210		1							
30	1	1A1105-23200		1							
31	1	24101-063044	BEARING, BALL 6304	2							
32	1	1A1105-25060		1							
33	1	1A1105-24101		1							
34	1	1A1105-26600		18							
35	1	1A1108-25020		2							
36	1	1A1105-23230		2							
37	1	1A1105-26000		2							
38	1	1A1105-27000		2							
39	1	1A1105-23240		2							
40	1	24101-060074	BEARING, BALL 6007	2							
41	1	1A1105-23220		2							
42	1	1A1105-28210		2							
43	1	1A1105-21310		2							
44	1	1A1105-24200		1							
45	1	22242-000170	RING, 17	1							
46	1	1A1360-22210		1							

Fig.56. SPEED CHANGE

56 SPEED CHANGE



(A)=YK450SF

(B)=

(C)=

(D)=

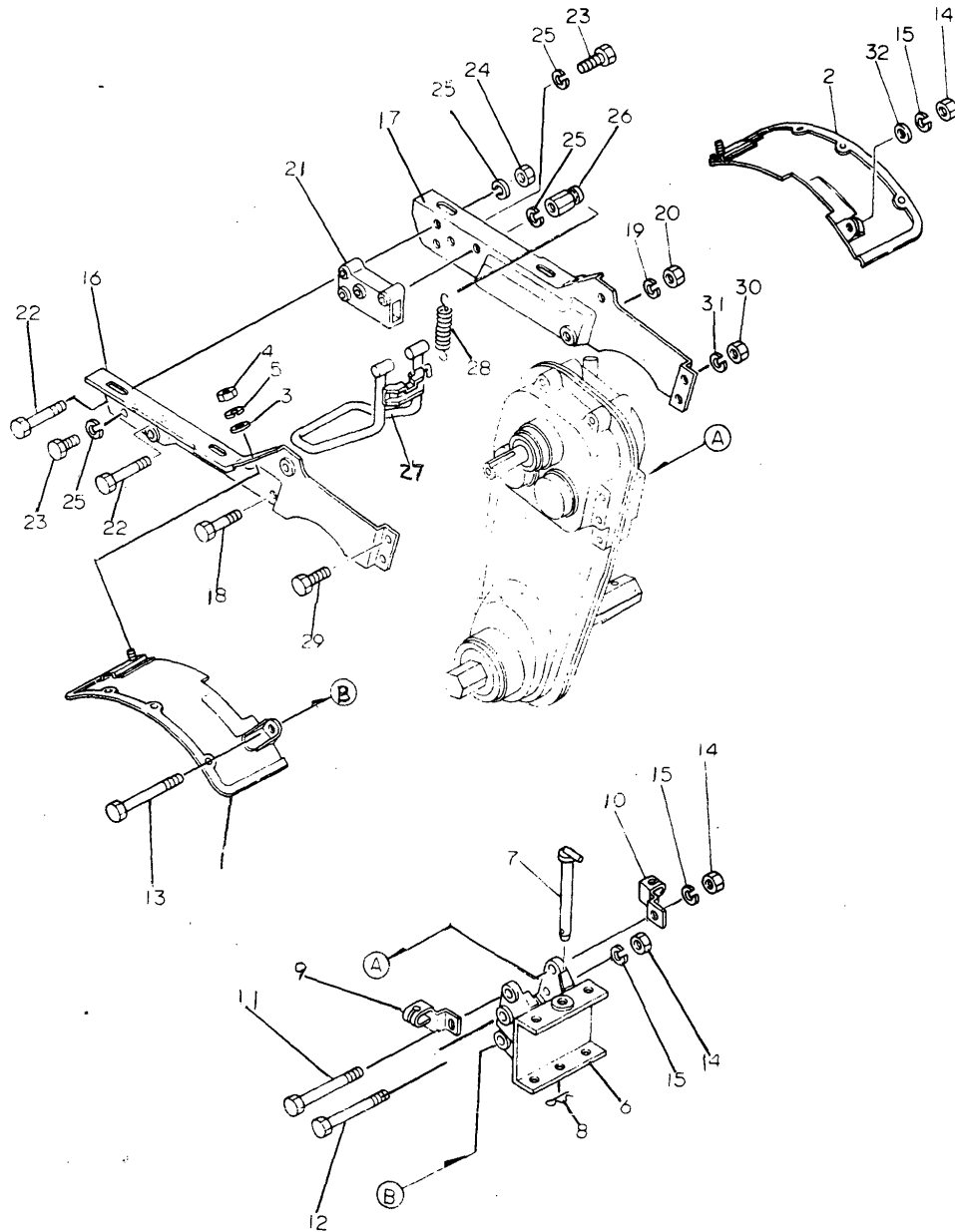
(E)=

(F)=

No.	Lev.	Parts No.	Description	Q'ty						I	R
				(A)	(B)	(C)	(D)	(E)	(F)		
1	1	1A1105-24400		2							
2	1	1A1105-26200		4							
3	1	22411-200100		4							
4	1	1A1105-24410		2							
5	1	1A1105-24440		1							
6	1	1A1105-24470		1							
7	1	1A1105-26210		2							
8	1	22411-200100		2							
9	1	24311-000100	O-RING, 1AP10.0	2							
10	1	1A1105-28220		2							
11	1	1A1105-24481		2							
12	1	1A1105-24490		2							
13	1	22137-080000	WASHER, 8	2							
14	1	22217-080000	WASHER, SPRING 8	2							
15	1	26717-080002	NUT, M8	2							
16	1	1A1105-27011		2							
17	1	26117-060142		2							
18	1	22217-060000	WASHER, SPRING 6	2							
19	1	1A1104-27020		1							
20	1	1A1104-27070		1							
21	1	1A1105-28040		2							
22	1	1A1105-27032		1							
23	1	1A1105-27042		1							
24	1	1A1105-27140		1							
25	1	1A1105-27050		1							
26	1	1A1105-26600		2							
27	1	1A1105-26020		2							
28	1	22411-200180		2							
29	1	1A1105-27061		2							
30	1	22351-040018	PIN, SPRING 4.0X18	2							
31	1	26117-080162		3							
32	1	22217-080000	WASHER, SPRING 8	3							
33	1	1A1105-26030		1							
34	1	1A1105-26040		1							
35	1	1A1104-28230		4							
36	1	1A1105-28220		2							

Fig.57. FRAME & FENDER

57 FRAME & FENDER



(A)=YK450SF

(B)=

(C)=

(D)=

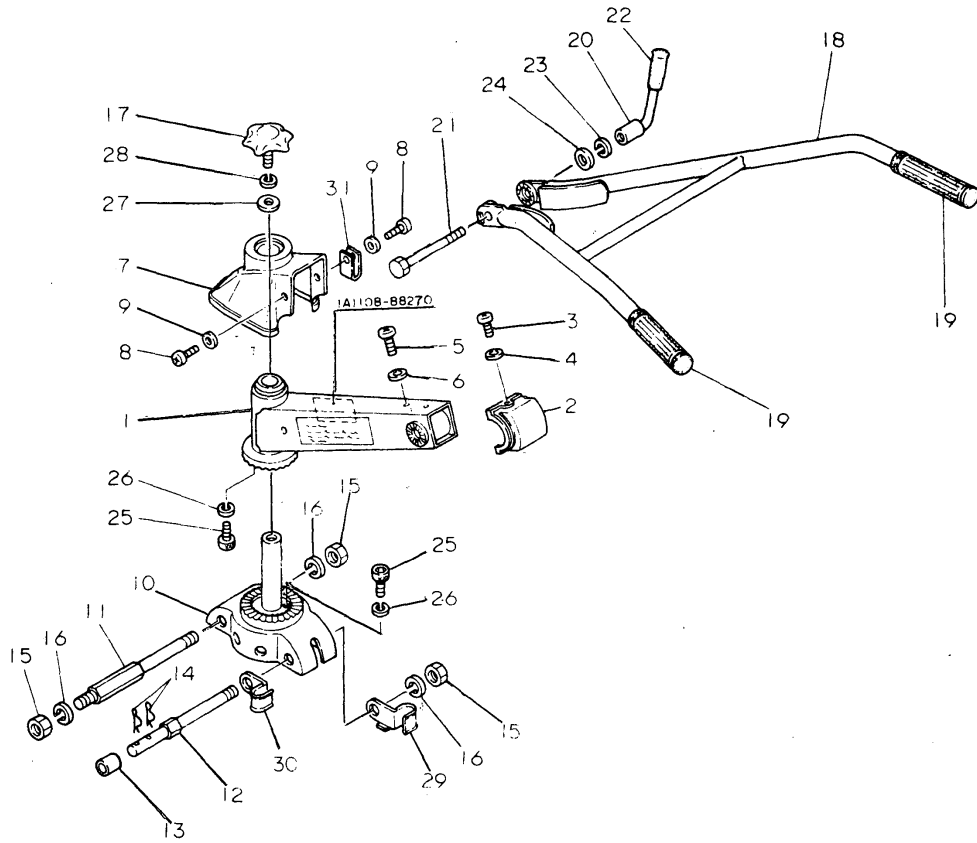
(E)=

(F)=

No.	Lev.	Parts No.	Description	Q'ty						I	R
				(A)	(B)	(C)	(D)	(E)	(F)		
1	1	1A1105-31001		1							
2	1	1A1105-31011		1							
3	1	22137-080000	WASHER, 8	1							
4	1	26717-080002	NUT, M8	2							
5	1	22217-080000	WASHER, SPRING 8	2							
6	1	1A1108-62001		1							
7	1	1A1105-66200		1							
8	1	22360-160000	PIN, SNAP 16	1							
9	1	1A1105-24520		1							
10	1	1A1105-24540		1							
11	1	1A1105-66430		1							
12	1	26116-100902	BOLT, M10X 90 PLATED	1							
13	1	1A1105-66440		1							
14	1	26717-100002	NUT, M10	3							
15	1	22217-100000	WASHER, SPRING 10	3							
16	1	1A1105-61001		1							
17	1	1A1105-61100		1							
18	1	26116-100452	BOLT, M10X 45 PLATED	1							
19	1	22217-100000	WASHER, SPRING 10	1							
20	1	26717-100002	NUT, M10	1							
21	1	1A1101-61100		1							
22	1	26117-080502		2							
23	1	26117-080122		2							
24	1	26717-080002	NUT, M8	1							
25	1	22217-080000	WASHER, SPRING 8	4							
26	1	1A1105-66450		1							
27	1	1A1105-65002		1							
28	1	1A1105-66002		1							
29	1	26117-060202		2							
30	1	26717-060002	NUT, M6	2							
31	1	22217-060000	WASHER, SPRING 6	2							
32	1	22137-100000	WASHER, 10	1							

Fig.58. HANDLE

58 HANDLE



(A)=YK450SF

(B)=

(C)=

(D)=

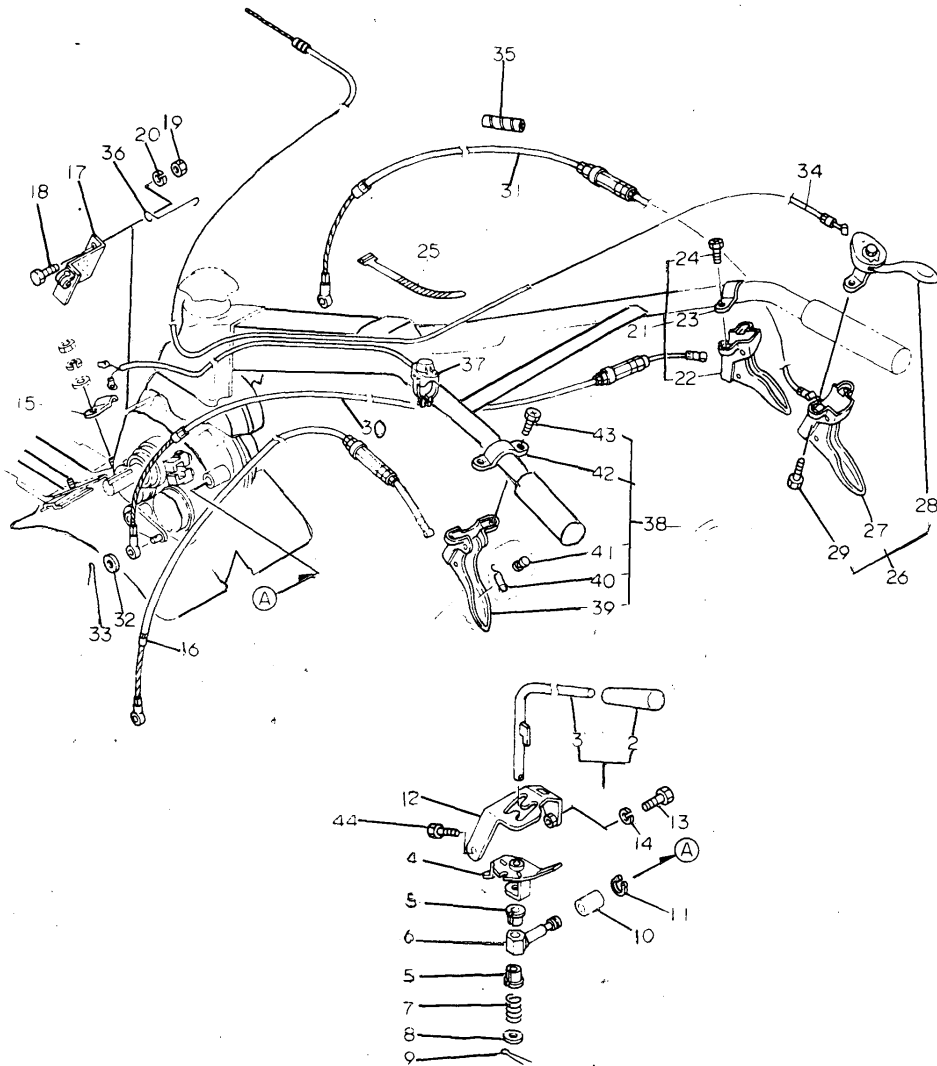
(E)=

(F)=

No.	Lev.	Parts No.	Description	Q'ty						I	R
				(A)	(B)	(C)	(D)	(E)	(F)		
1	1	1A1108-51000		1							
2	1	1A1320-51600		1							
3	1	26557-050102	SCREW, M5X10	2							
4	1	22137-050000	WASHER, 5	2							
5	1	26557-080162	SCREW, M8X16	1							
6	1	22137-080000	WASHER, 8	1							
7	1	1A1105-51610		1							
8	1	26557-060122	SCREW, M6X12	2							
9	1	22137-060000	WASHER, 6	2							
10	1	1A1105-51071		1							
11	1	1A1108-56460		1							
12	1	1A1105-56430		1							
13	1	1A1105-53000		1							
14	1	22360-100000	PIN, SNAP 10	2							
15	1	26717-100002	NUT, M10	3							
16	1	22217-100000	WASHER, SPRING 10	3							
17	1	1A1104-52001		1							
18	1	1A1107-51400		1							
19	1	1A1105-51630		2							
20	1	1A1320-52100		1							
21	1	26117-141252		1							
22	1	1A1102-57100		1							
23	1	22217-140000	WASHER, SPRING 14	1							
24	1	22137-140000	WASHER, 14	1							
25	1	26450-060102	BOLT, M6X 10	2							
26	1	22217-060000	WASHER, SPRING 6	2							
27	1	1A1104-53200		1							
28	1	22217-140000	WASHER, SPRING 14	1							
29	1	1A1105-54650		1							
30	1	1A1105-54660		1							
31	1	1A1104-54610		1							

Fig.59. LEVER & CABLE

59 LEVER & CABLE



(A)=YK450SF

(B)=

(C)=

(D)=

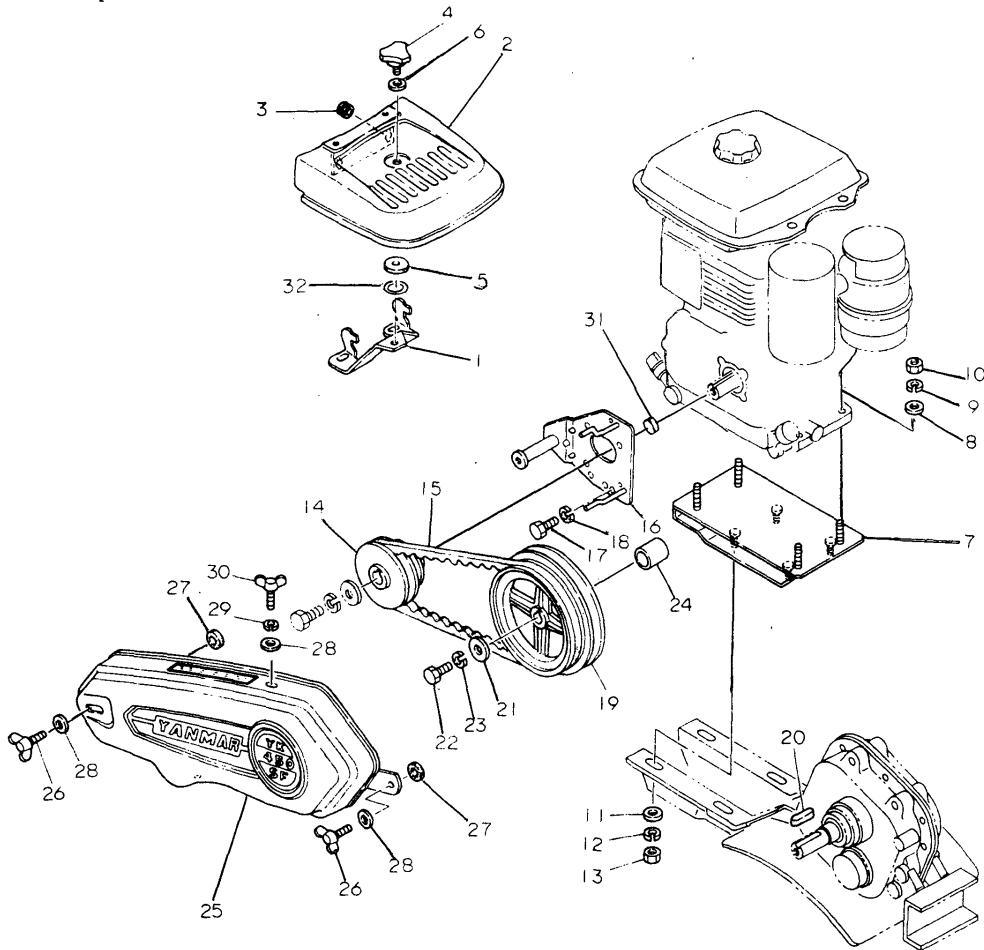
(E)=

(F)=

No.	Lev.	Parts No.	Description	Qty						I	R
				(A)	(B)	(C)	(D)	(E)	(F)		
1	1	7A1105-50020		1							
2	2	1A1102-57100		1							
3	2	1A1105-57010		1							
4	1	1A1105-57061		1							
5	1	1A1105-57151		2							
6	1	1A1105-57093		1							
7	1	1A1104-56030		1							
8	1	22117-120000	WASHER, 12	1							
9	1	22417-200180		1							
10	1	1A1360-57190		1							
11	1	22242-000120	RING, 12	1							
12	1	1A1105-57301		1							
13	1	26117-060202		2							
14	1	22217-060000	WASHER, SPRING 6	3							
15	1	1A1105-54621		1							
16	1	1A1108-54200		1							
17	1	1A1105-11222		1							
18	1	26117-060182		2							
19	1	26717-060002	NUT, M6	2							
20	1	22217-060000	WASHER, SPRING 6	2							
21	1	7A1108-50720		1							
22	2	1A1108-57350		1							
23	2	1A1108-57390		1							
24	2	26557-060222		2							
25	1	1A1105-54670		2							
26	1	7A1108-50730		1							
27	2	1A1102-57360		1							
28	2	1A1108-57400		1							
29	2	26557-060222		2							
30	1	1A1105-54242		1							
31	1	1A1105-54232		1							
32	1	22137-060000	WASHER, 6	2							
33	1	22417-200120		2							
34	1	1A1360-54590		1							
35	1	1A1108-54600		1							
36	1	1A1105-54600		1							
37	1	1A1107-54220		1							
38	1	7A1108-17100		1							
39	2	1A1310-17000		1							
40	2	1A1108-17100		1							
41	2	1A1108-17110		1							
42	2	1A1102-57390		1							
43	2	26557-060222		2							
44	1	26117-060142		1							

Fig.60. BELT COVER

60 BELT COVER



(A)=YK450SF

(B)=

(C)=

(D)=

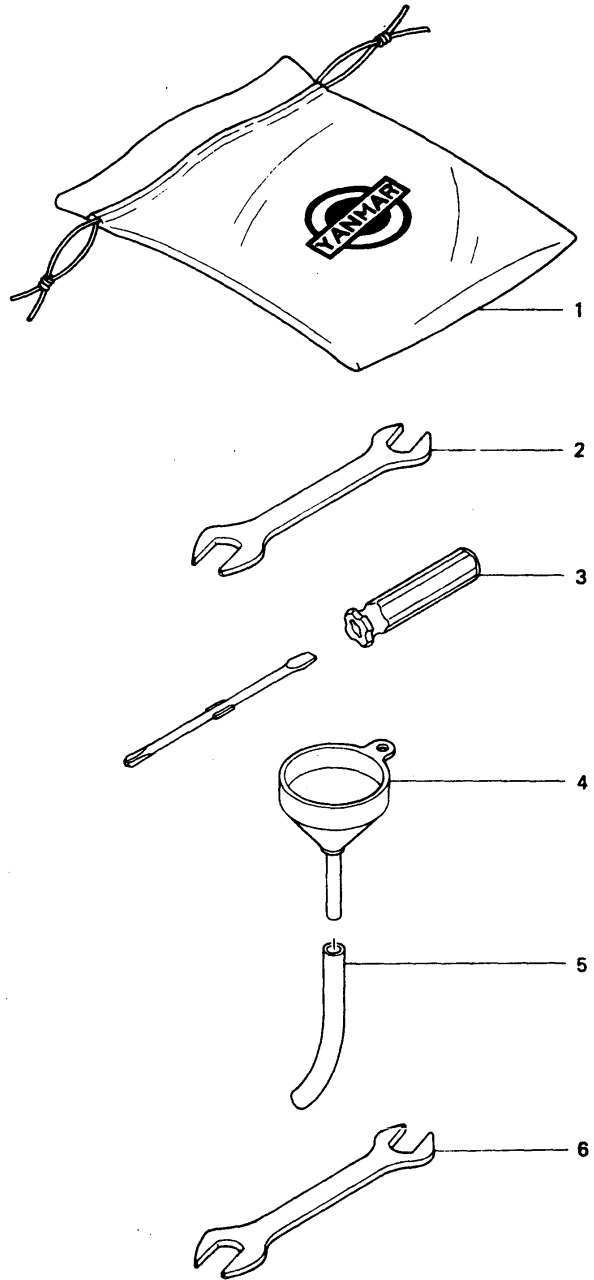
(E)=

(F)=

No.	Lev.	Parts No.	Description	Q'ty						I	R
				(A)	(B)	(C)	(D)	(E)	(F)		
1	1	1A1108-62200		1							
2	1	1A1108-62150		1							
3	1	1H6020-60170		2							
4	1	1A1108-66400		1							
5	1	1A1108-66410		1							
6	1	22137-080000	WASHER, 8	1							
7	1	1A1108-65000		1							
8	1	22137-100000	WASHER, 10	4							
9	1	22217-100000	WASHER, SPRING 10	4							
10	1	26717-100002	NUT, M10	4							
11	1	1D1140-11420		4							
12	1	22217-080000	WASHER, SPRING 8	4							
13	1	26717-080002	NUT, M8	4							
14	1	1A1108-62400		1							
15	1	1A1105-74520		1							
16	1	1A1108-62500		1							
17	1	26117-080162		4							
18	1	22217-080000	WASHER, SPRING 8	4							
19	1	1A1108-11000		1							
20	1	1A1105-15200		1							
21	1	1D1140-11420		1							
22	1	26117-080252		1							
23	1	22217-080000	WASHER, SPRING 8	1							
24	1	1A1105-23000		1							
25	1	1A1108-64000		1							
26	1	1A1105-66401		3							
27	1	1A1108-66410		2							
28	1	22137-080000	WASHER, 8	3							
29	1	22217-080000	WASHER, SPRING 8	1							
30	1	26647-080152	BOLT, WING M8X15	1							
31	1	1A1108-62410		1							
32	1	22137-080000	WASHER, 8	2							

Fig.61. TOOL

61 TOOL



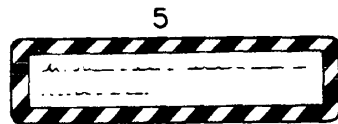
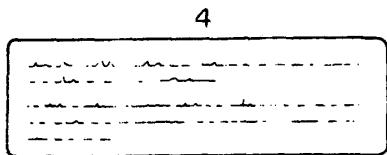
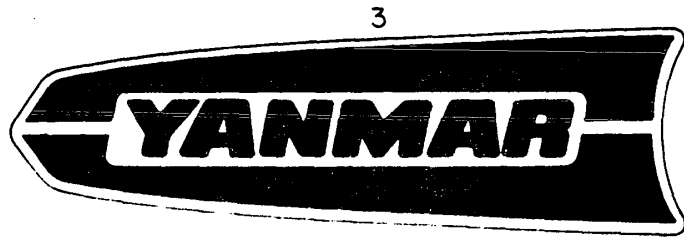
(A)=YK450SF
(B)=
(C)=

(D)=
(E)=
(F)=

No.	Lev.	Parts No.	Description	Q'ty						I	R
				(A)	(B)	(C)	(D)	(E)	(F)		
1	1	1D1510-18090		1							
2	1	1D1140-18080		1							
3	1	1D2040-87060		1							
4	1	1A1105-83000		1							
5	1	1A1102-83110		1							
6	1	1A1105-81000		1							

Fig.62. LABEL

62 LABEL



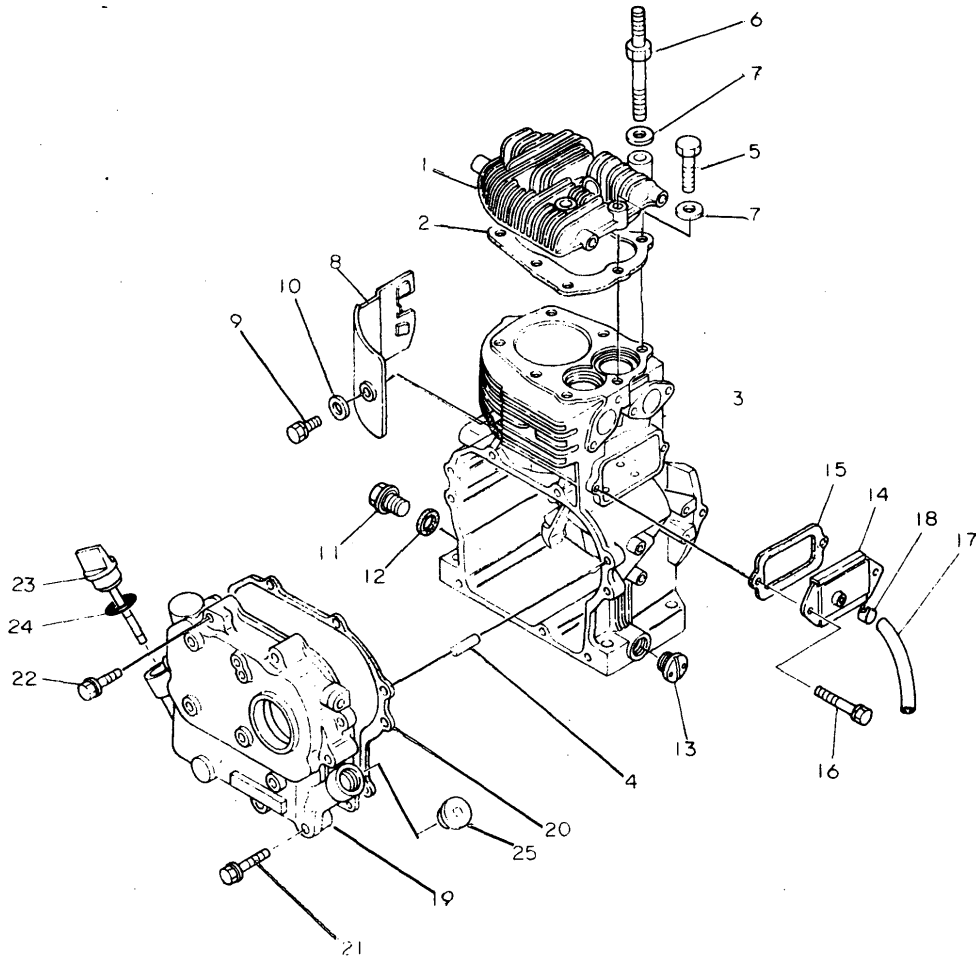
(A)=YK450SF
(B)=
(C)=

(D)=
(E)=
(F)=

No.	Lev.	Parts No.	Description	Qty						I	R
				(A)	(B)	(C)	(D)	(E)	(F)		
1	1	1A1108-88000		1							
2	1	1A1108-88030		1							
3	1	1A1105-88011		1							
4	1	1A1107-88130		1							
6	1	1A1107-88650		1							
7	1	1A1103-88010		1							

Fig.63. SYLINDER

63 CYLINDER



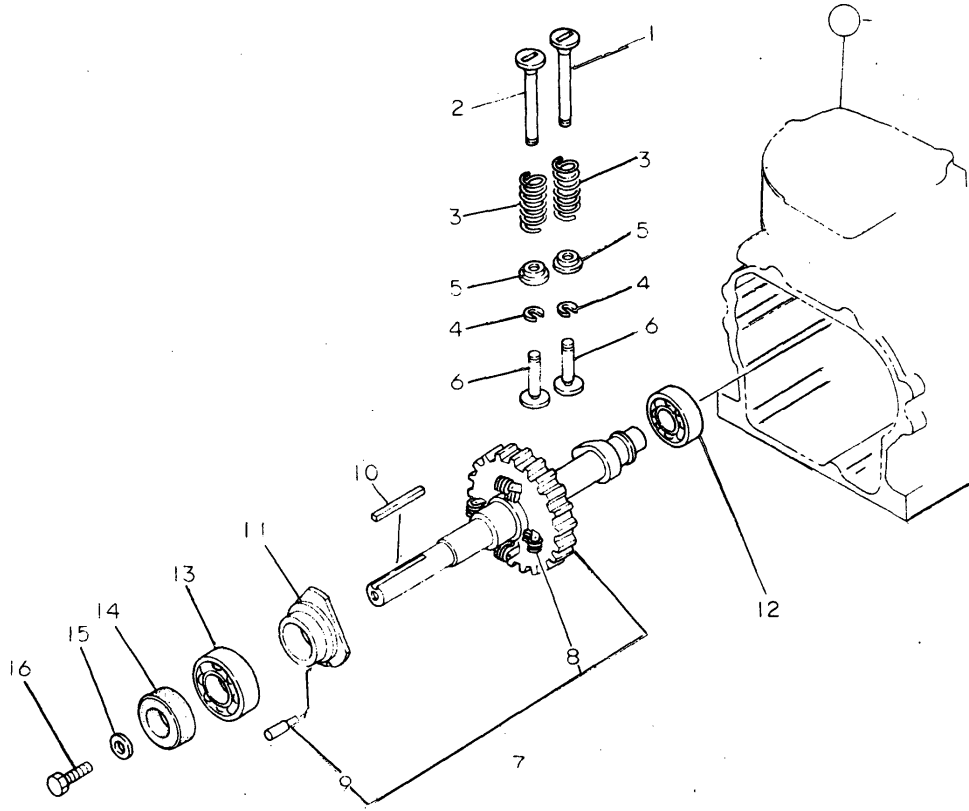
(A)=KF68GS
(B)=
(C)=

(D)=
(E)=
(F)=

No.	Lev.	Parts No.	Description	Q'ty						I	R
				(A)	(B)	(C)	(D)	(E)	(F)		
1	1	1Z6370-11110		1							
2	1	1Z6370-11210		1							
3	1	1Z6340-41100		1							
4	1	1Z0056-08160		2							
5	1	26116-100452	BOLT, M10X 45 PLATED	5							
6	1	1Z6470-11810		2							
7	1	22117-100000	WASHER, 10	7							
8	1	1Z6367-16320		1							
9	1	26013-060122	BOLT, M6X 12	1							
10	1	22137-060000	WASHER, 6	1							
11	1	1Z8294-74410		1							
12	1	1Z1201-72140		1							
13	1	1Z7220-74410		1							
14	1	1Z6470-12310		1							
15	1	1Z6470-12320		1							
16	1	26013-060122	BOLT, M6X 12	2							
17	1	23601-070100		1							
18	1	1Z3679-15320		1							
19	1	1Z6440-41210		1							
20	1	1Z6370-41240		1							
21	1	26011-080452		5							
22	1	26011-080402		2							
23	1	1Z6470-74110		1							
24	1	1Z5192-74320		1							
25	1	1Z7220-74310		1							

Fig.64. CAM SHAFT

64 CAM SHAFT



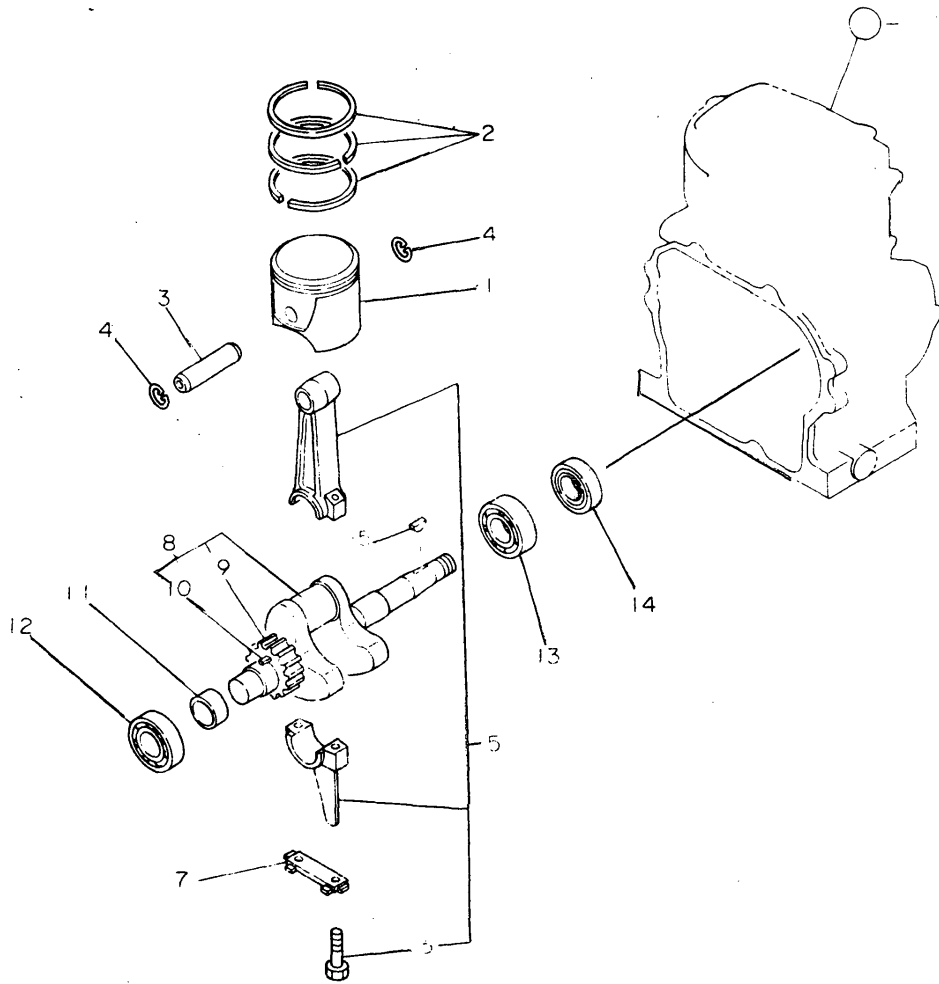
(A)=KF68GS
(B)=
(C)=

(D)=
(E)=
(F)=

No.	Lev.	Parts No.	Description	Qty						I	R
				(A)	(B)	(C)	(D)	(E)	(F)		
1	1	1Z6400-21110		1							
2	1	1Z6470-21120		1							
3	1	1Z6470-21130		2							
4	1	1Z6470-21150		2							
5	1	1Z6470-21160		2							
6	1	1Z6470-22110		2							
7	1	1Z6487-23100		1							
8	2	1Z6470-51100		1							
9	2	1Z3501-51150		1							
10	1	1Z0011-07350		1							
11	1	1Z6470-51210		1							
12	1	24101-062024	BEARING, BALL 6202	1							
13	1	24101-062064	BEARING, BALL 6206	1							
14	1	1Z5250-42350		1							
15	1	1Z6201-32740		1							
16	1	26013-080252	BOLT, M8X 25	1							

Fig.65. CRANK SHAFT

65 CRANK SHAFT



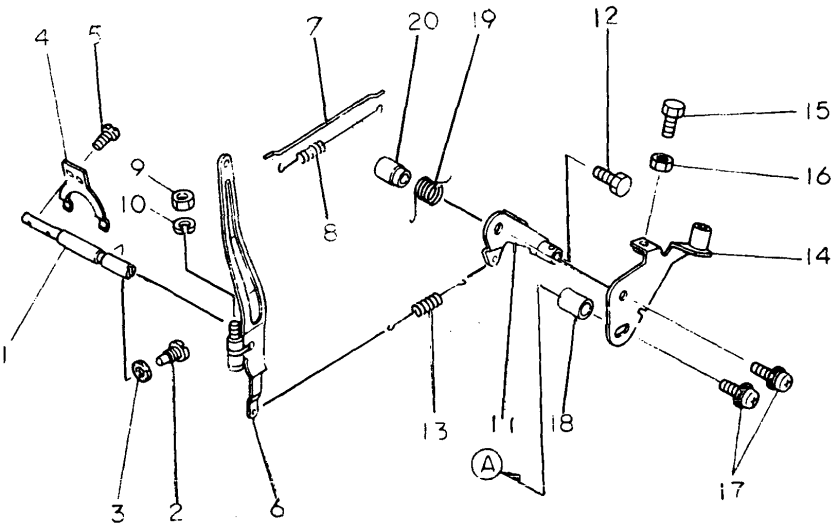
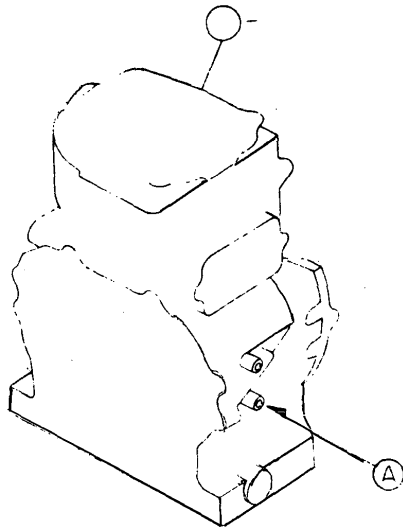
(A)=KF68GS
(B)=
(C)=

(D)=
(E)=
(F)=

No.	Lev.	Parts No.	Description	Q'ty						I	R
				(A)	(B)	(C)	(D)	(E)	(F)		
1	1	1Z6370-31110		1							
2	1	1Z6370-30100		1							
3	1	1Z6470-31210		1							
4	1	1Z6470-31220		2							
5	1	1Z6470-32400		1							
6	2	1Z6470-32450		2							
7	1	1Z6470-32480		1							
8	1	1Z6470-32100		1							
9	2	1Z6470-32170		1							
10	2	1Z3252-23710		1							
11	1	1Z6470-32610		1							
12	1	24101-063064	BEARING, BALL 6306	1							
13	1	24101-062064	BEARING, BALL 6206	1							
14	1	1Z6470-42310		1							
15	1	1Z3650-23710		1							

Fig.66. GOVERNOR

66 GOVERNOR



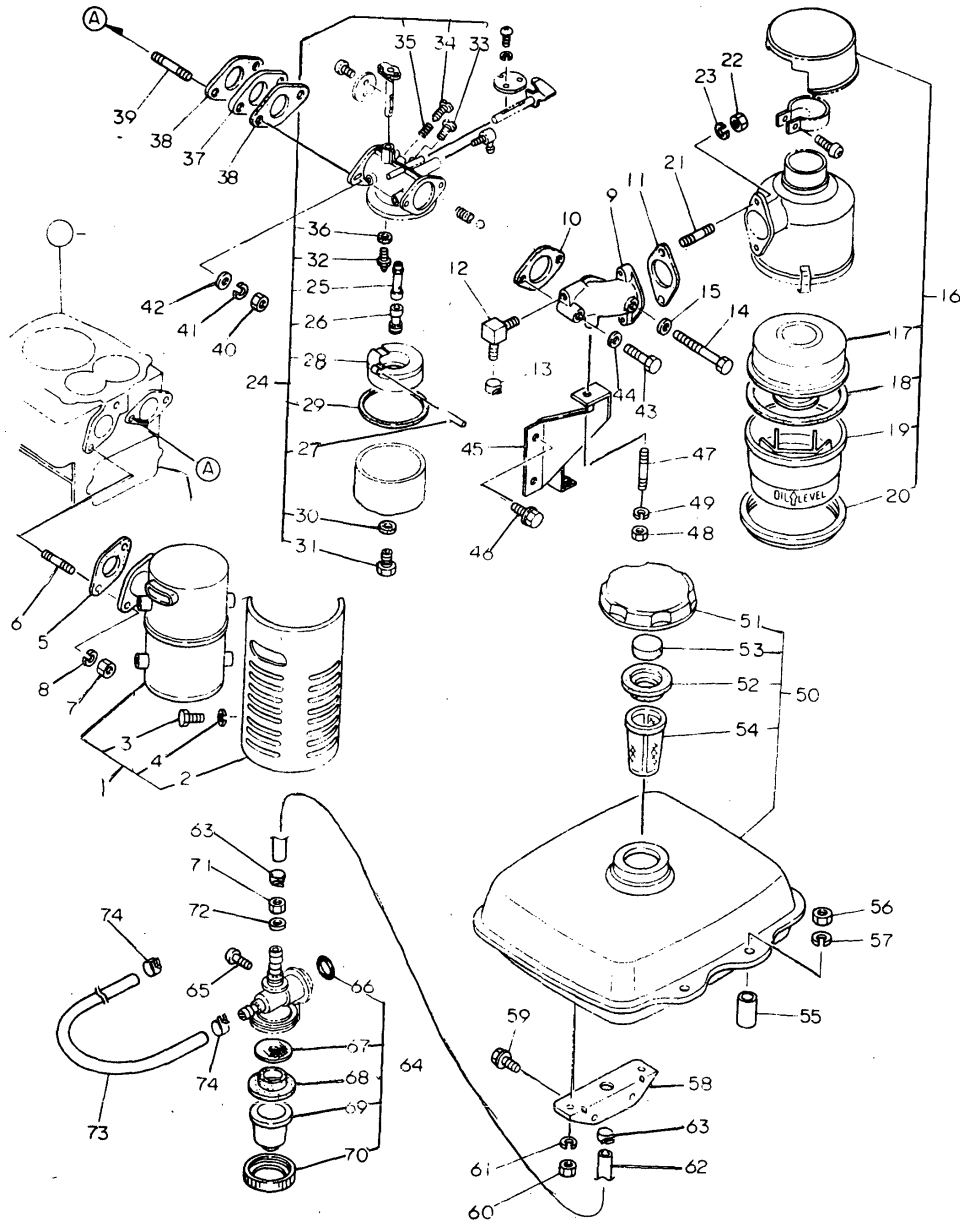
(A)=KF68GS
(B)=
(C)=

(D)=
(E)=
(F)=

No.	Lev.	Parts No.	Description	Q'ty						I	R
				(A)	(B)	(C)	(D)	(E)	(F)		
1	1	1Z6470-51230		1							
2	1	1Z5470-51240		1							
3	1	1Z5192-12330		1							
4	1	1Z6470-51220		1							
5	1	26022-040062		2							
6	1	1Z6470-52110		1							
7	1	1Z6470-52310		1							
8	1	1Z3550-52320		1							
9	1	26716-060002	NUT, M6	1							
10	1	22217-060000	WASHER, SPRING 6	1							
11	1	1Z2751-53100		1							
12	1	1Z0011-05080		1							
13	1	1Z6470-53140		1							
14	1	1Z2751-53310		1							
15	1	1Z3640-53820		1							
16	1	26716-060002	NUT, M6	1							
17	1	26011-060302		2							
18	1	1Z8290-53330		1							
19	1	1Z3690-53170		1							
20	1	1Z8290-53320		1							

Fig.67. CLEANER.MUFFLER

67 CLEANER.MUFFLER



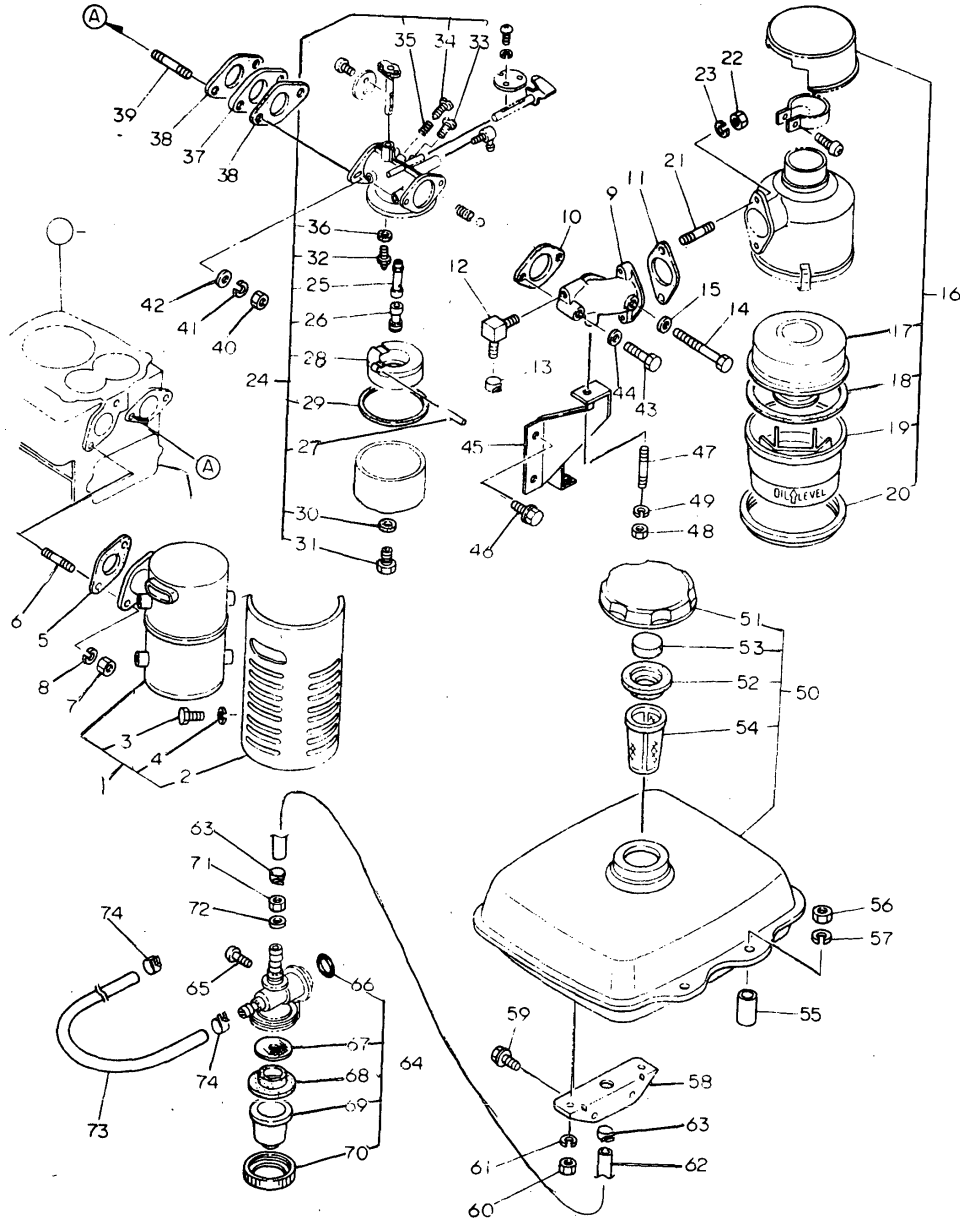
(A)=KF68GS
(B)=
(C)=

(D)=
(E)=
(F)=

No.	Lev.	Parts No.	Description	Qty						I	R
				(A)	(B)	(C)	(D)	(E)	(F)		
1	1	1Z6367-14000		1							
2	2	1Z6367-14310		1							
3	2	26116-060082	BOLT, M6X 8 PLATED	4							
4	2	22217-060000	WASHER, SPRING 6	4							
5	1	1Z6470-14420		1							
6	1	26217-080182		2							
7	1	26717-080002	NUT, M8	2							
8	1	22217-080000	WASHER, SPRING 8	2							
9	1	1Z6469-13310		1							
10	1	1Z6484-13320		1							
11	1	1Z4251-13330		1							
12	1	1Z5120-15330		1							
13	1	1Z3679-15320		1							
14	1	1Z0011-05520		1							
15	1	1Z6442-13810		1							
16	1	1Z5361-13100		1							
17	2	1Z4251-13120		1							
18	2	1Z4251-13230		1							
19	2	1Z4251-13160		1							
20	2	1Z4251-13190		1							
21	1	26217-050122		2							
22	1	26717-050002	NUT, M5	2							
23	1	22217-050000	WASHER, SPRING 5	1							
24	1	1Z6367-61000		1							
25	2	1Z6484-61290		1							
26	2	1Z7101-61321		1							
27	2	1Z3122-61270		1							
28	2	1Z6470-61260		1							
29	2	1Z3122-61280		1							
30	2	1Z3122-61190		1							
31	2	1Z6470-61430		1							
32	2	1Z6484-61200		1							
33	2	1Z3650-61120		1							
34	2	1Z6470-61140		1							
35	2	1Z3122-61160		1							
36	2	1Z3650-61190		1							
37	1	1Z5192-61810		1							
38	1	1Z5470-61840		2							
39	1	26216-060252	STUD, M6X 25	2							
40	1	26716-060002	NUT, M6	2							
41	1	22217-060000	WASHER, SPRING 6	2							
42	1	22137-060000	WASHER, 6	2							
43	1	1Z0011-05330		1							
44	1	1Z6442-13810		1							
45	1	1Z6367-13620		1							
46	1	26011-060122		2							
47	1	1Z2707-12820		1							
48	1	26716-060002	NUT, M6	1							
49	1	22217-060000	WASHER, SPRING 6	1							
50	1	1Z6367-66100		1							
51	2	1Z8290-66410		1							

Fig.67. CLEANER.MUFFLER

67 CLEANER.MUFFLER



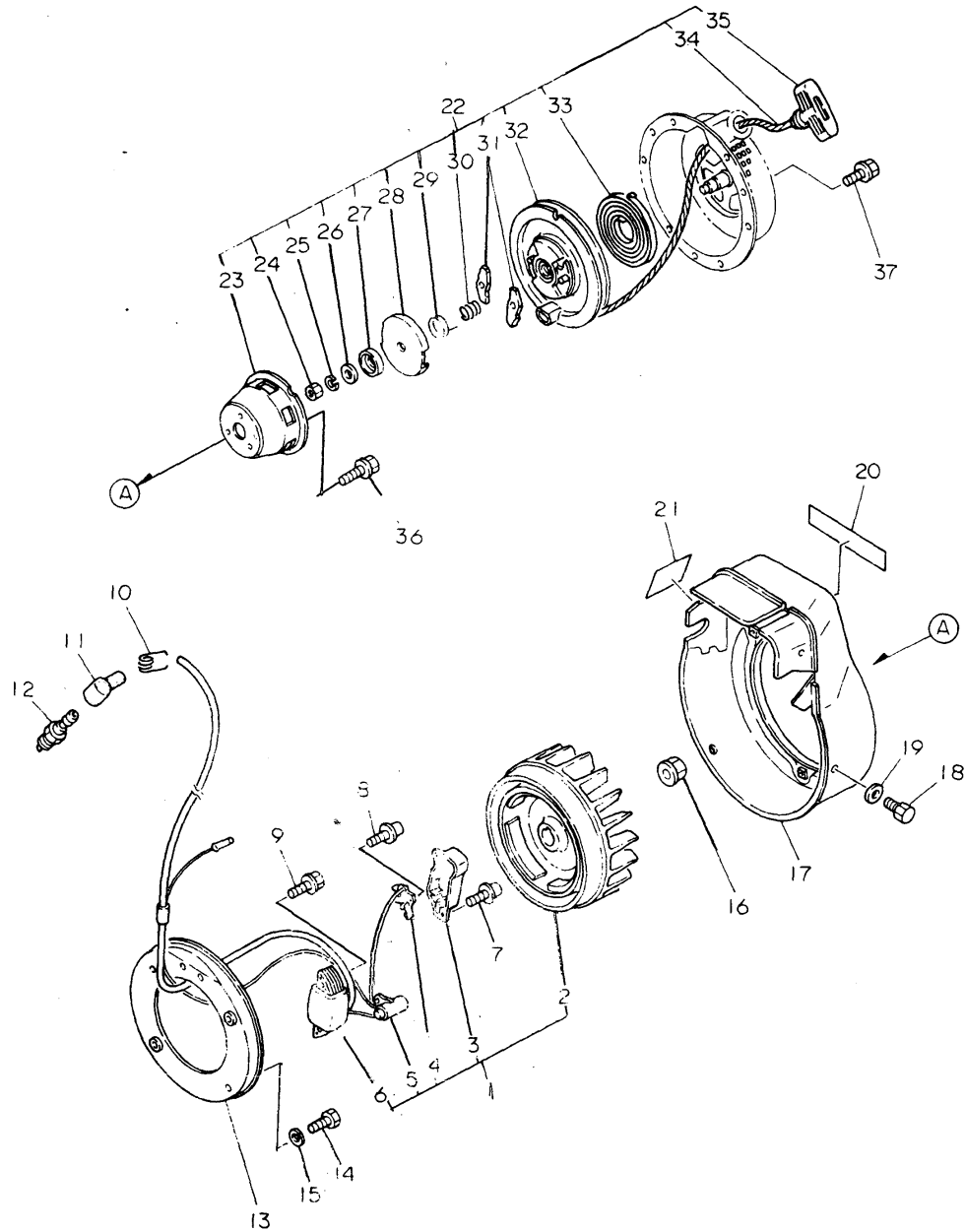
(A)=KF68GS
(B)=
(C)=

(D)=
(E)=
(F)=

No.	Lev.	Parts No.	Description	Qty						I	R
				(A)	(B)	(C)	(D)	(E)	(F)		
52	2	1Z8290-66432		1							
53	2	1Z8290-66460		1							
54	2	1Z3592-66610		1							
55	1	1Z6470-11350		2							
56	1	26716-100002	NUT, M10	2							
57	1	22217-100000	WASHER, SPRING 10	2							
58	1	1Z6458-67110		1							
59	1	26014-080142	BOLT, M8X 14	2							
60	1	26717-080002	NUT, M8	2							
61	1	22217-080000	WASHER, SPRING 8	2							
62	1	1Z0070-07370		1							
63	1	1Z7196-68120		2							
64	1	1Z3650-65102		1							
65	2	1Z3650-65170		1							
66	2	1Z3650-65120		1							
67	2	1Z3650-65190		1							
68	2	1Z3650-65180		1							
69	2	1Z3650-65210		1							
70	2	1Z3650-65220		1							
71	1	1Z3650-65270		1							
72	1	1Z0046-10000		1							
73	1	1Z0070-07215		1							
74	1	1Z3679-68120		2							

Fig.68. MAGNET.RECOIL

68 MAGNETO.RECOIL



(A)=KF68GS

(B)=

(C)=

(D)=

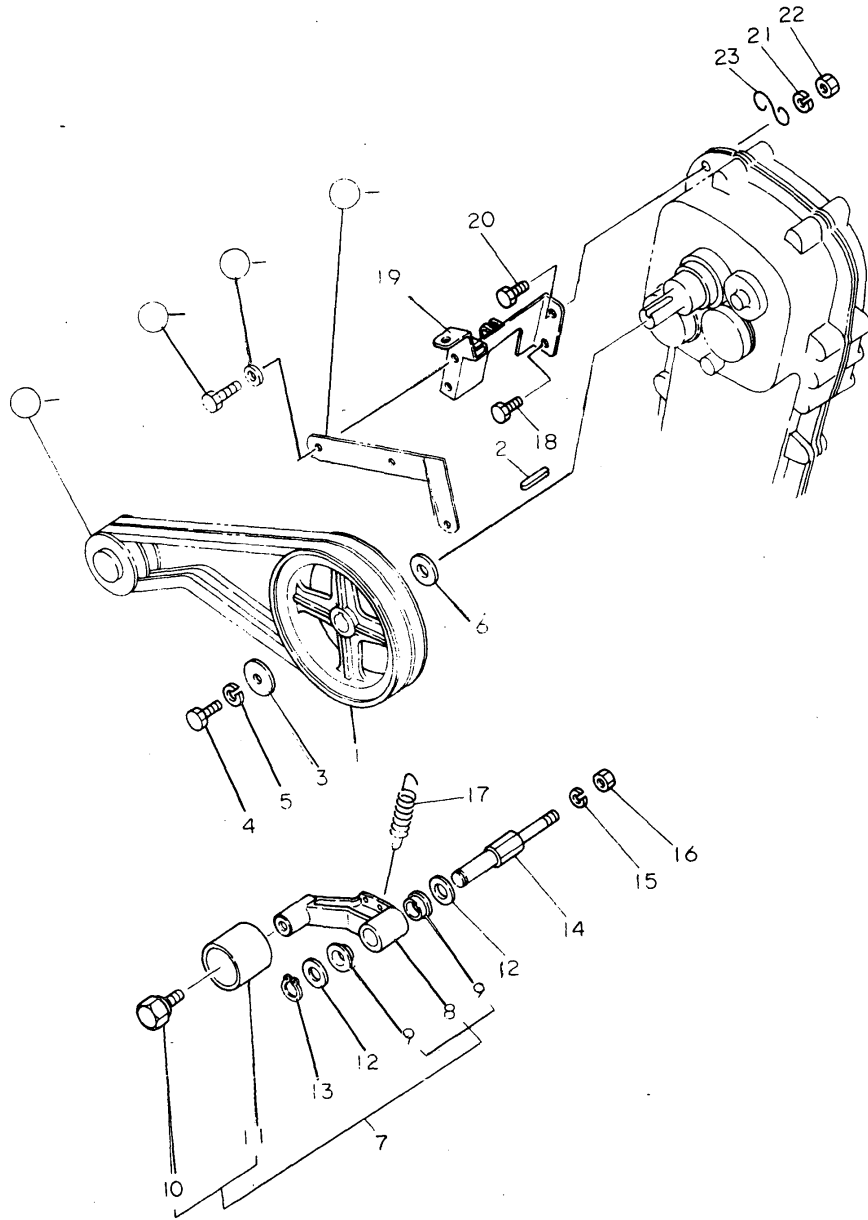
(E)=

(F)=

No.	Lev.	Parts No.	Description	Qty						I	R
				(A)	(B)	(C)	(D)	(E)	(F)		
1	1	1Z6470-81100		1							
2	2	1Z6470-81110		1							
3	2	1Z6470-84390		1							
4	2	1Z3601-84400		1							
5	2	1Z6470-84360		1							
6	2	1Z6470-81230		1							
7	1	26021-040202		2							
8	1	26021-040102		1							
9	1	26013-060252	BOLT, M6X 25	2							
10	1	1Z7270-84190		1							
11	1	1Z7270-84180		1							
12	1	1Z2301-84101		1							
13	1	1Z6470-16120		1							
14	1	26013-060122	BOLT, M6X 12	4							
15	1	22137-060000	WASHER, 6	4							
16	1	1Z3252-34810		1							
17	1	1Z6367-16110		1							
18	1	26013-060122	BOLT, M6X 12	4							
19	1	22137-060000	WASHER, 6	4							
20	1	1Z6458-08110		1							
21	1	1Z5483-08510		1							
22	1	1Z6407-34300		1							
23	2	1Z6440-34320		1							
24	2	1Z6420-34431		1							
25	2	1Z6420-34511		1							
26	2	1Z6420-34420		1							
27	2	1Z6451-34560		1							
28	2	1Z6420-34490		1							
29	2	1Z6470-34480		1							
30	2	1Z6420-34460		1							
31	2	1Z6420-34450		2							
32	2	1Z6451-34410		1							
33	2	1Z8863-34520		1							
34	2	1Z6420-34530		1							
35	2	1Z2211-34540		1							
36	1	26014-060122	BOLT, M6X 12	3							
37	1	26011-060102		3							

Fig.69. MAIN CLUTCH

69 MAIN CLUTCH



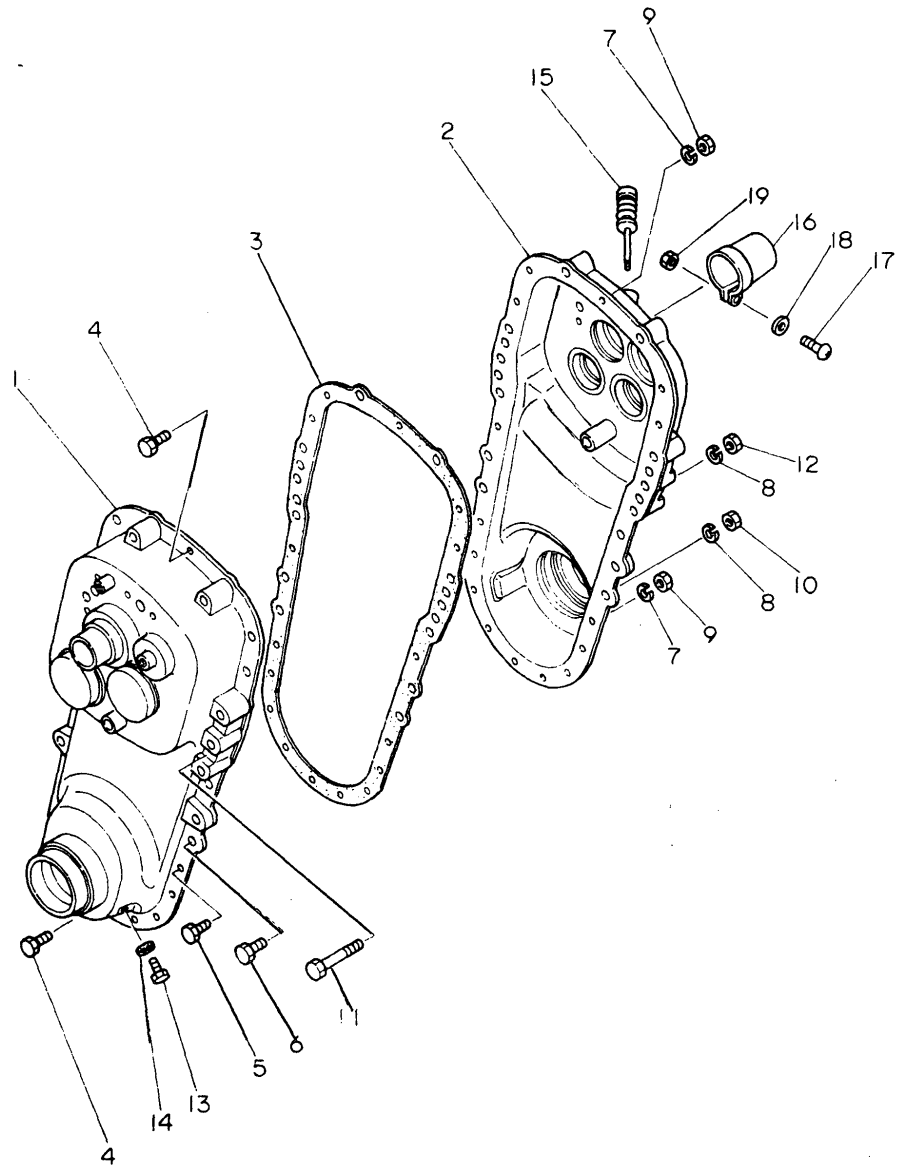
(A)=YK650SF
(B)=
(C)=

(D)=
(E)=
(F)=

No.	Lev.	Parts No.	Description	Q'ty						I	R
				(A)	(B)	(C)	(D)	(E)	(F)		
1	1	1A1320-11000		1							
2	1	1A1105-15200		1							
3	1	1D1140-11420		1							
4	1	26117-080252		1							
5	1	22217-080000	WASHER, SPRING 8	1							
6	1	1A1320-11100		1							
7	1	7A1320-10001		1							
8	2	1A1320-11201		1							
9	2	1A1104-14000		1							
10	2	1A1320-14020		1							
11	2	1A1320-11250		2							
12	1	1A1320-11100		2							
13	1	22242-000170	RING, 17	1							
14	1	1A1320-16400		1							
15	1	22217-100000	WASHER, SPRING 10	2							
16	1	26717-100002	NUT, M10	2							
17	1	1A1105-16001		2							
18	1	26117-100222		1							
19	1	1A1321-11220		1							
20	1	26117-080202		1							
21	1	22217-080000	WASHER, SPRING 8	1							
22	1	26717-080002	NUT, M8	1							
23	1	1D2020-12440		1							

Fig.70. MISSION HOUSING

70 MISSION HOUSING



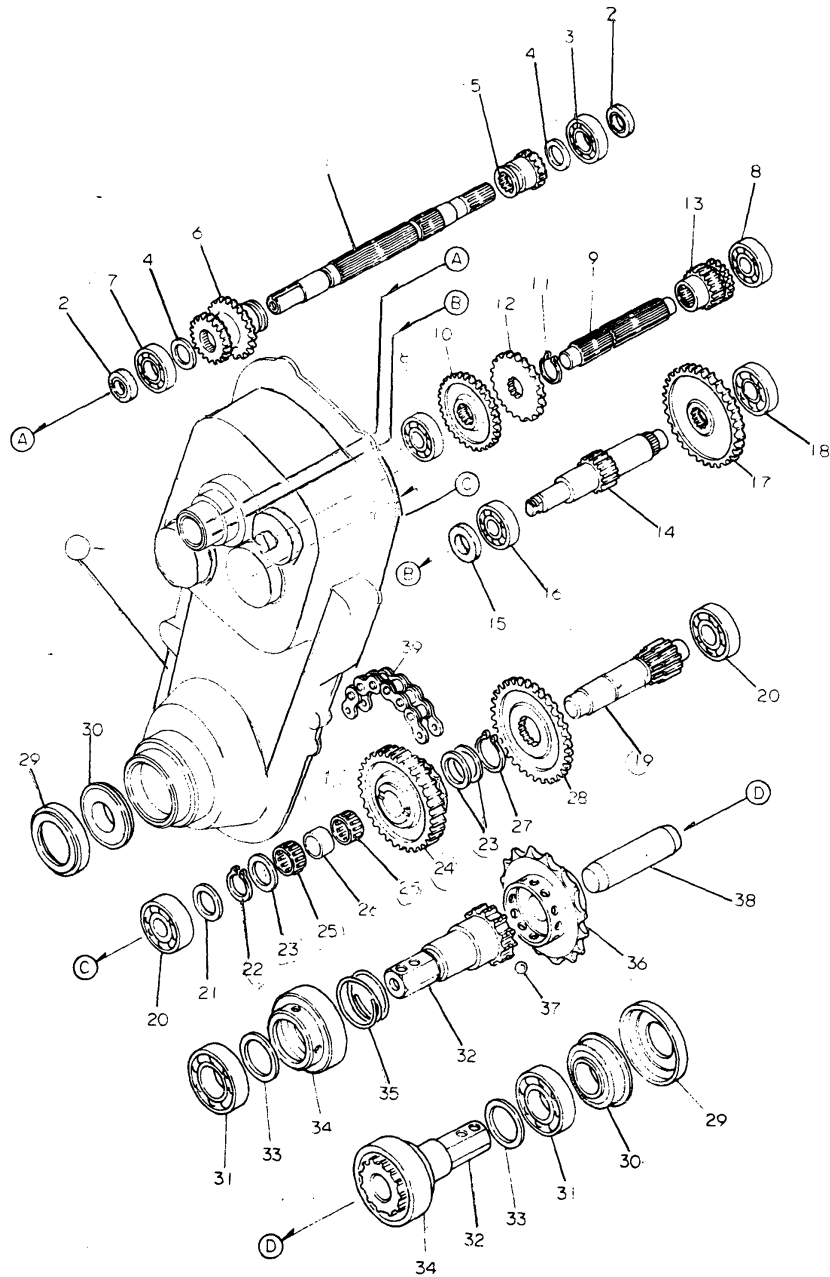
(A)=YK650SF
(B)=
(C)=

(D)=
(E)=
(F)=

No.	Lev.	Parts No.	Description	Q'ty						I	R
				(A)	(B)	(C)	(D)	(E)	(F)		
1	1	1A1321-21001		1							
2	1	1A1321-21151		1							
3	1	1A1320-28000		1							
4	1	1A1320-26400		2							
5	1	26117-080162		14							
6	1	26117-100182		5							
7	1	22217-080000	WASHER, SPRING 8	14							
8	1	22217-100000	WASHER, SPRING 10	7							
9	1	26717-080002	NUT, M8	14							
10	1	26717-100002	NUT, M10	4							
11	1	26127-100602		2							
12	1	26722-100002		3							
13	1	26117-080102		1							
14	1	1A1105-28020		1							
15	1	1A1104-21300		1							
16	1	1A1105-21300		1							
17	1	26557-050252	SCREW, M5X25	1							
18	1	22137-050000	WASHER, 5	1							
19	1	26717-050002	NUT, M5	1							

Fig.71. TRANSMISSION

71 TRANSMISSION



(A)=YK650SF

(B)=

(C)=

(D)=

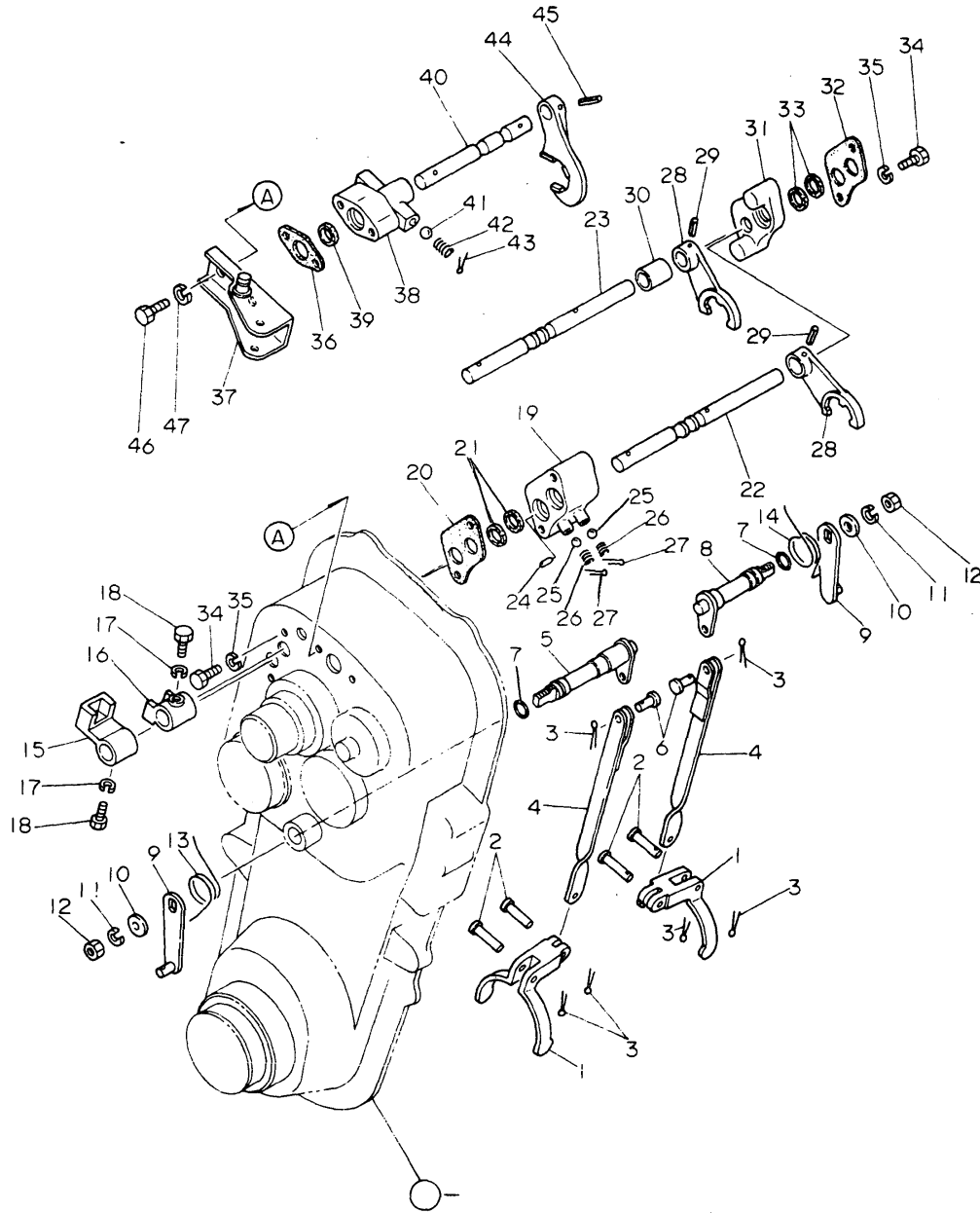
(E)=

(F)=

No.	Lev.	Parts No.	Description	Qty						I	R
				(A)	(B)	(C)	(D)	(E)	(F)		
1	1	1A1320-25000		1							
2	1	1A1105-28200		2							
3	1	24101-062044	BEARING, BALL 6204	1							
4	1	1A1105-23200		2							
5	1	1A1320-24120		1							
6	1	1A1320-24110		1							
7	1	24101-060044	BEARING, BALL 6004	1							
8	1	24101-063024	BEARING, BALL 6302	2							
9	1	1A1320-25010		1							
10	1	1A1320-24130		1							
11	1	22242-000220	RING, 22	1							
12	1	1A1320-24140		1							
13	1	1A1320-24150		1							
14	1	1A1321-25070		1							
15	1	1A1120-28140		1							
16	1	24101-062034	BEARING, BALL 6203	1							
17	1	1A1320-24160		1							
18	1	24101-063034	BEARING, BALL 6303	1							
19	1	1A1320-25040		1							
20	1	24101-063044	BEARING, BALL 6304	2							
21	1	1A1105-23200		1							
22	1	22242-000240	RING, 24	1							
23	1	1A1105-23210		3							
24	1	1A1320-24050		1							
25	1	1A1105-22200		2							
26	1	1A1105-23020		1							
27	1	22242-000300	RING, 30	1							
28	1	1A1320-24170		1							
29	1	1A1105-21310		2							
30	1	1A1105-28210		2							
31	1	24101-062070	BEARING, BALL 6207C3	2							
32	1	1A1321-25020		2							
33	1	1A1105-23230		2							
34	1	1A1320-27000		2							
35	1	1A1320-26000		2							
36	1	1A1320-24100		1							
37	1	1A1105-26600		12							
38	1	1A1320-25060		1							
39	1	1A1320-24200		1							

Fig.72. SPEED CHANGE

72 SPEED CHANGE



(A)=YK650SF

(B)=

(C)=

(D)=

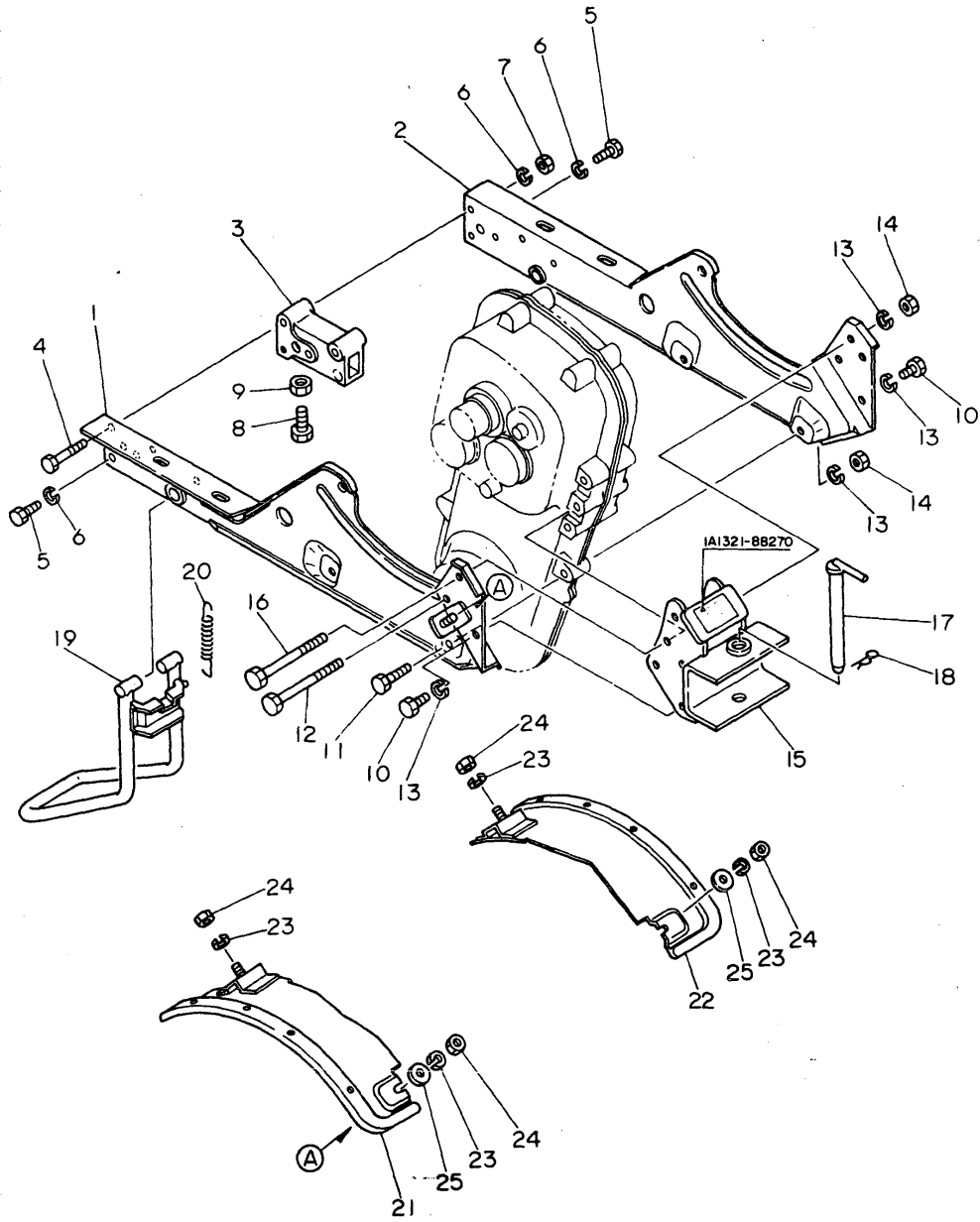
(E)=

(F)=

No.	Lev.	Parts No.	Description	Q'ty						I	R
				(A)	(B)	(C)	(D)	(E)	(F)		
1	1	1A1320-24400		2							
2	1	1A1105-26200		4							
3	1	22411-200100		6							
4	1	1A1320-24410		2							
5	1	1A1320-24440		1							
6	1	1A1105-26210		2							
7	1	24311-000100	O-RING, 1AP10.0	2							
8	1	1A1320-24470		1							
9	1	1A1105-24490		2							
10	1	22137-080000	WASHER, 8	2							
11	1	22217-080000	WASHER, SPRING 8	2							
12	1	26717-080002	NUT, M8	2							
13	1	1A1320-26030		1							
14	1	1A1320-26040		1							
15	1	1A1104-27001		1							
16	1	1A1320-27010		1							
17	1	22217-060000	WASHER, SPRING 6	2							
18	1	26117-060142		2							
19	1	1A1104-27020		1							
20	1	1A1105-28040		1							
21	1	1A1104-28230		2							
22	1	1A1320-27030		1							
23	1	1A1320-27040		1							
24	1	1A1105-27050		1							
25	1	1A1105-26600		2							
26	1	1A1105-26020		2							
27	1	22411-200180		2							
28	1	1A1105-27061		2							
29	1	22351-040018	PIN, SPRING 4.0X18	2							
30	1	1A1320-23070		1							
31	1	1A1320-27070		1							
32	1	1A1105-28040		1							
33	1	1A1104-28230		2							
34	1	26117-080162		4							
35	1	22217-080000	WASHER, SPRING 8	4							
36	1	1A1320-28040		1							
37	1	1A1320-57282		1							
38	1	1A1320-27210		1							
39	1	1A1104-28230		1							
40	1	1A1320-27200		1							
41	1	1A1105-26600		1							
42	1	1A1105-26020		1							
43	1	22411-200180		1							
44	1	1A1320-27161		1							
45	1	22351-040018	PIN, SPRING 4.0X18	1							
46	2	26117-080202		2							
47	2	22217-080000	WASHER, SPRING 8	2							

Fig.73. FRAME & FENDER

73 FRAME & FENDER



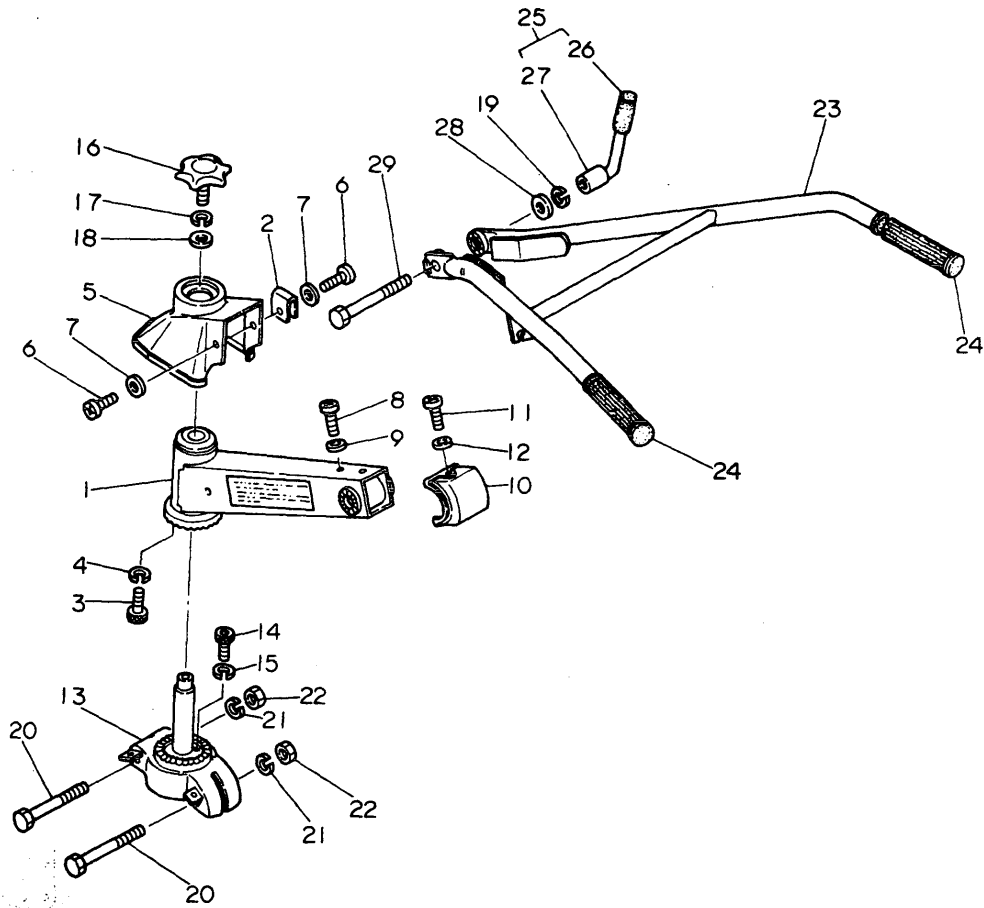
(A)=YK650SF
(B)=
(C)=

(D)=
(E)=
(F)=

No.	Lev.	Parts No.	Description	Q'ty						I	R
				(A)	(B)	(C)	(D)	(E)	(F)		
1	1	1A1320-61000		1							
2	1	1A1320-61100		1							
3	1	1A1320-61190		1							
4	1	26117-080552		2							
5	1	26117-080122		2							
6	1	22217-080000	WASHER, SPRING 8	2							
7	1	26717-080002	NUT, M8	2							
8	1	26116-120252	BOLT, M12X 25 PLATED	1							
9	1	26717-120002	NUT, M12	1							
10	1	26117-100202		4							
11	1	26116-100402	BOLT, M10X 40 PLATED	2							
12	1	1A1105-66430		1							
13	1	22217-100000	WASHER, SPRING 10	8							
14	1	26717-100002	NUT, M10	4							
15	1	1A1321-62001		1							
16	1	26116-101002	BOLT, M10X100 PLATED	1							
17	1	1A1105-66200		1							
18	1	22360-160000	PIN, SNAP 16	1							
19	1	1A1321-63000		1							
20	1	1A1105-66002		1							
21	1	1A1320-31000		1							
22	1	1A1320-31010		1							
23	1	22217-080000	WASHER, SPRING 8	4							
24	1	26717-080002	NUT, M8	4							
25	1	22137-080000	WASHER, 8	2							

Fig.74. HANDLE

74 HANDLE



(A)=YK650SF

(B)=

(C)=

(D)=

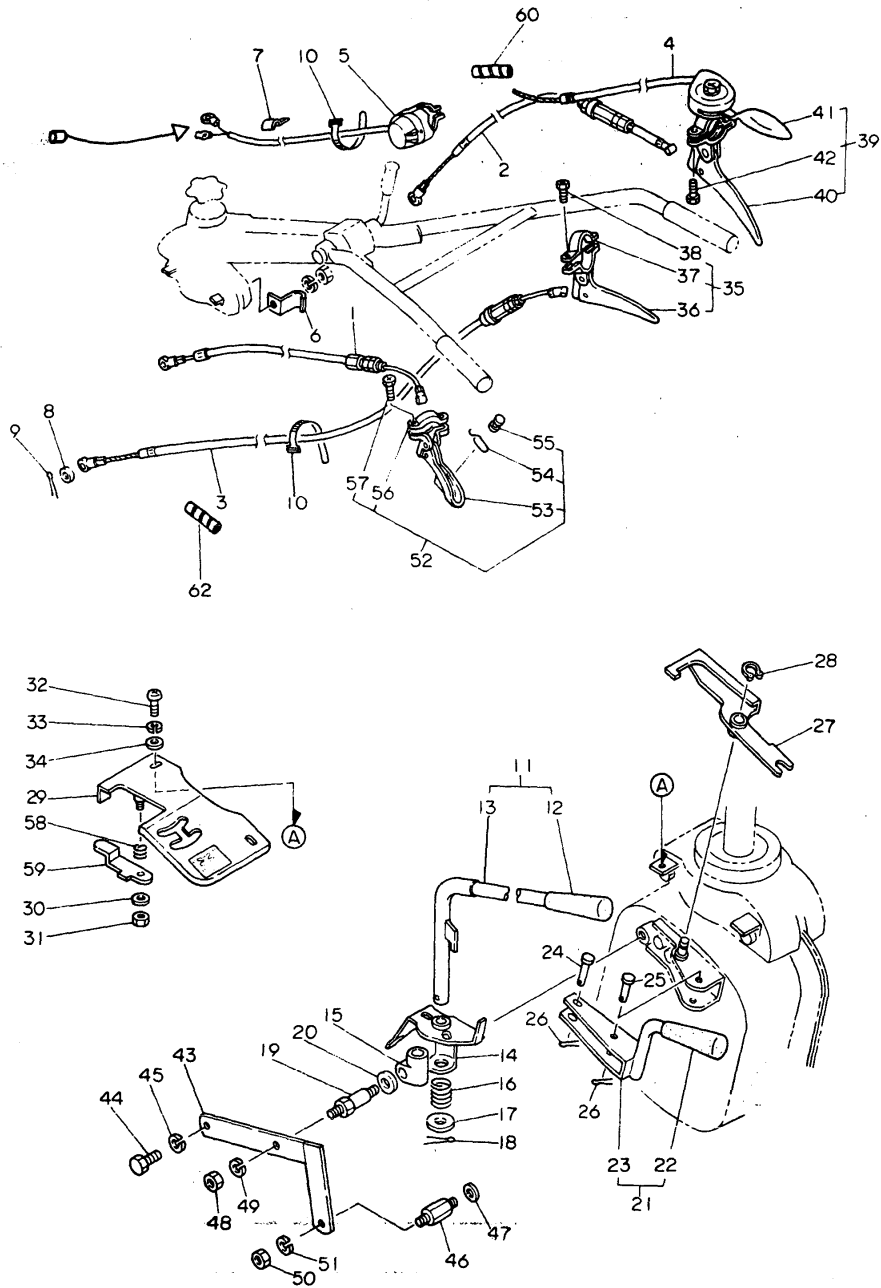
(E)=

(F)=

No.	Lev.	Parts No.	Description	Q'ty						I	R
				(A)	(B)	(C)	(D)	(E)	(F)		
1	1	1A1321-51001		1							
2	1	1A1104-54610		1							
3	1	26450-060102	BOLT, M6X 10	1							
4	1	22217-060000	WASHER, SPRING 6	1							
5	1	1A1105-51610		1							
6	1	26557-060122	SCREW, M6X12	2							
7	1	22137-060000	WASHER, 6	2							
8	1	26557-080162	SCREW, M8X16	1							
9	1	22137-080000	WASHER, 8	1							
10	1	1A1320-51600		1							
11	1	26557-050102	SCREW, M5X10	2							
12	1	22137-050000	WASHER, 5	2							
13	1	1A1320-51071		1							
14	1	26450-060102	BOLT, M6X 10	1							
15	1	22217-060000	WASHER, SPRING 6	1							
16	1	1A1104-52001		1							
17	1	22217-140000	WASHER, SPRING 14	1							
18	1	1A1104-53200		1							
19	1	22217-140000	WASHER, SPRING 14	1							
20	1	26116-100852	BOLT, M10X 85 PLATED	2							
21	1	22217-100000	WASHER, SPRING 10	2							
22	1	26717-100002	NUT, M10	2							
23	1	1A1107-51400		1							
24	1	1A1105-51630		2							
25	1	7A1320-50040		1							
26	1	1A1102-57100		1							
27	1	1A1320-52100		1							
28	1	22137-140000	WASHER, 14	1							
29	1	26117-141252		1							

Fig.75. LEVER & CABLE

75 LEVER & CABLE



(A)=YK650SF

(B)=

(C)=

(D)=

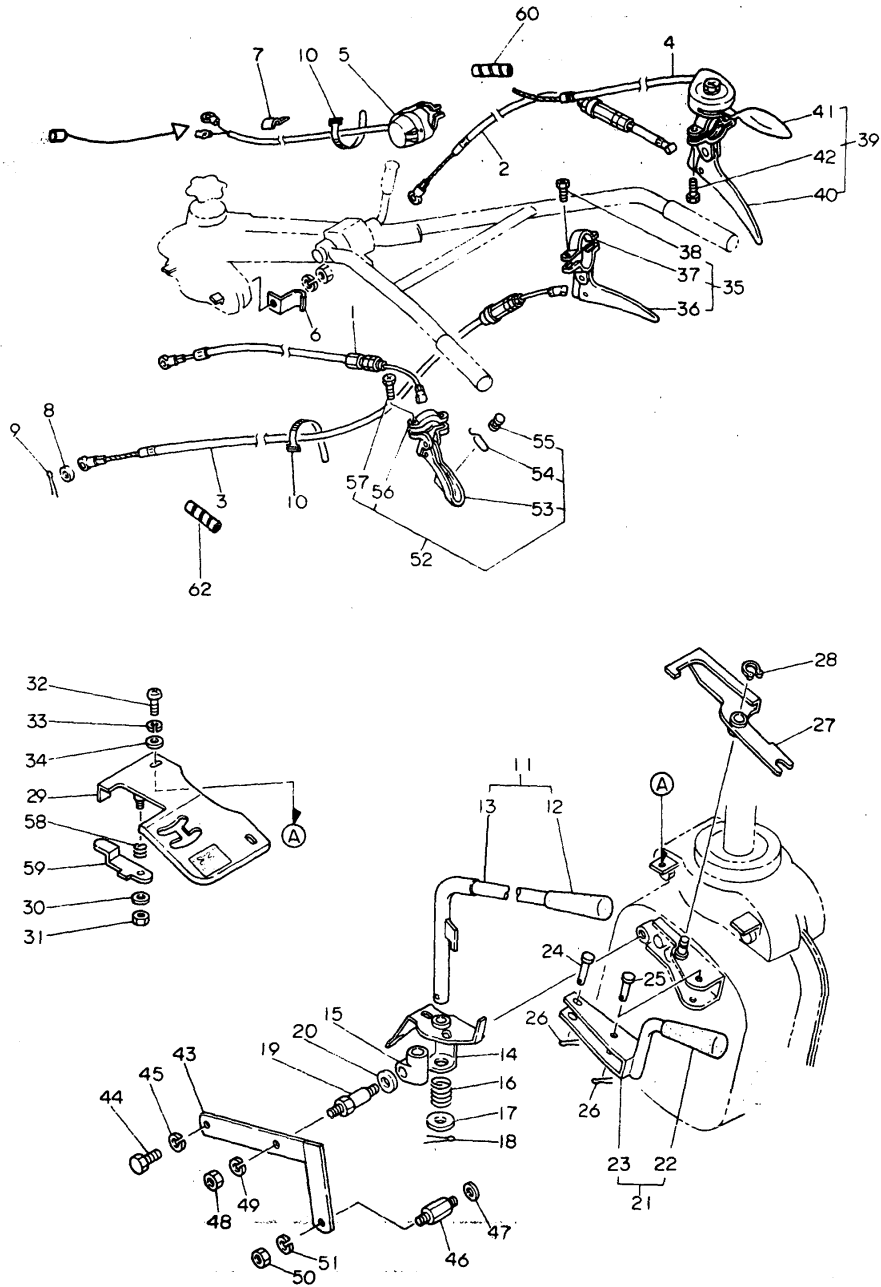
(E)=

(F)=

No.	Lev.	Parts No.	Description	Qty						I	R
				(A)	(B)	(C)	(D)	(E)	(F)		
1	1	1A1108-54200		1							
2	1	1A1320-54210		1							
3	1	1A1320-54250		1							
4	1	1A1360-54590		1							
5	1	1A1107-54220		1							
6	1	1A1105-54650		1							
7	1	1A1105-54621		1							
8	1	22137-060000	WASHER, 6	3							
9	1	22417-200100		3							
10	1	1A1105-54670		2							
11	1	7A1320-50020		1							
12	2	1A1102-57100		1							
13	2	1A1320-57011		1							
14	1	1A1321-57060		1							
15	1	1A1104-57091		1							
16	1	1A1104-56030		1							
17	1	22117-120000	WASHER, 12	1							
18	1	22417-200180		1							
19	1	1A1320-57323		1							
20	1	22117-120000	WASHER, 12	1							
21	1	7A1320-50050		1							
22	2	1A1102-57100		1							
23	2	1A1320-57250		1							
24	1	1A1320-56150		1							
25	1	1A1320-56140		1							
26	1	22417-200100		2							
27	1	1A1320-57202		1							
28	1	22242-000100	RING, 10	1							
29	1	1A1320-57302		1							
30	1	22137-060000	WASHER, 6	1							
31	1	26717-060002	NUT, M6	1							
32	1	26557-080122	SCREW, M8X12	2							
33	1	22217-080000	WASHER, SPRING 8	2							
34	1	22137-080000	WASHER, 8	2							
35	1	7A1108-50720		1							
36	2	1A1108-57350		1							
37	2	1A1108-57390		1							
38	2	26557-060222		2							
39	1	7A1108-50730		1							
40	2	1A1102-57360		1							
41	2	1A1108-57400		1							
42	2	26557-060222		2							
43	1	1A1321-57150		1							
44	1	26117-060122		2							
45	1	22217-060000	WASHER, SPRING 6	2							
46	1	1A1320-64190		1							
47	1	22137-080000	WASHER, 8	1							
48	1	26717-080002	NUT, M8	1							
49	1	22217-080000	WASHER, SPRING 8	1							
50	1	26717-060002	NUT, M6	1							
51	1	22217-060000	WASHER, SPRING 6	1							

Fig.75. LEVER & CABLE

75 LEVER & CABLE



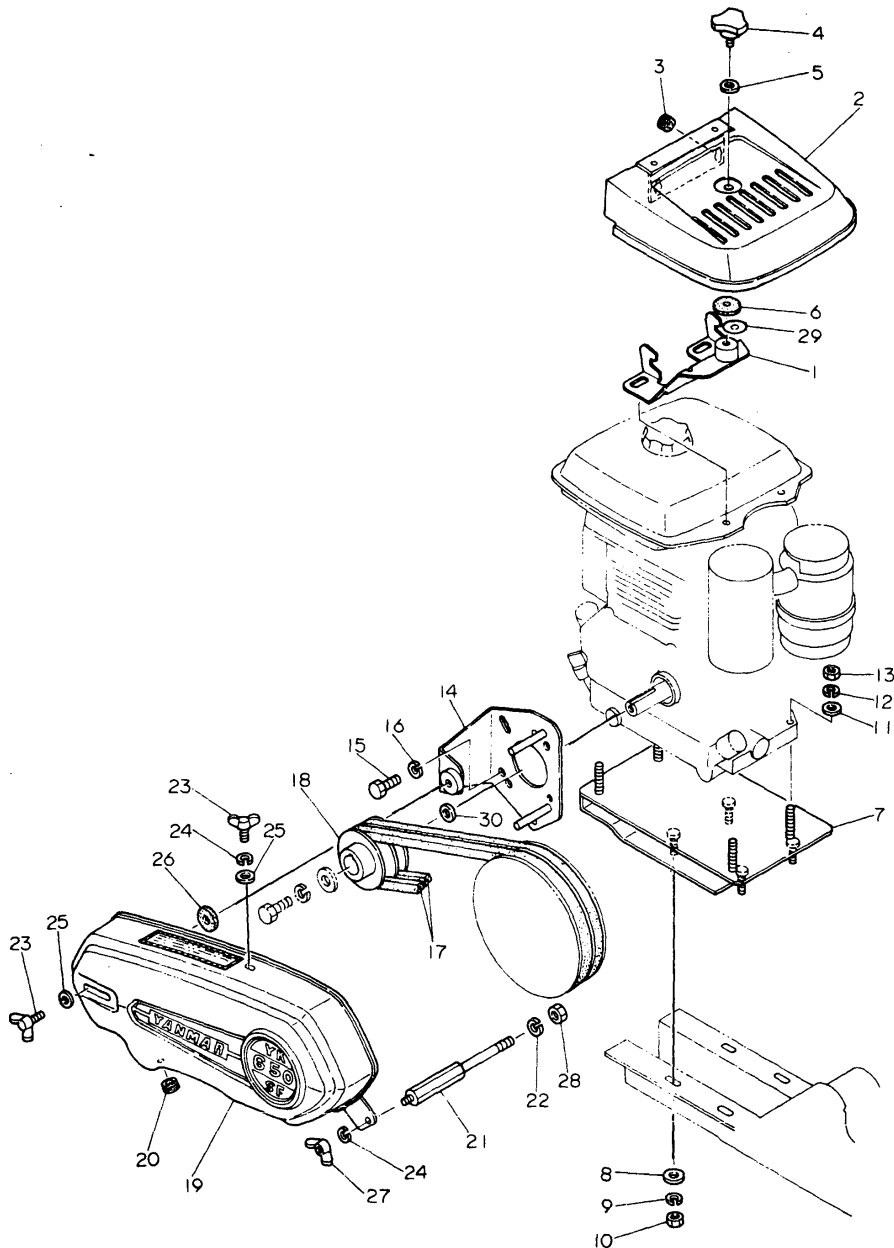
(A)=YK650SF
(B)=
(C)=

(D)=
(E)=
(F)=

No.	Lev.	Parts No.	Description	Q'ty						I	R
				(A)	(B)	(C)	(D)	(E)	(F)		
52	1	7A1108-17100		1							
53	2	1A1310-17000		1							
54	2	1A1108-17100		1							
55	2	1A1108-17110		1							
56	2	1A1102-57390		1							
57	2	26557-060222		2							
58	1	1A1104-56021		1							
59	1	1A1320-57230		1							
60	1	1A1105-54640		1							
61	1	1A1321-54230		1							
62	1	1A1108-54600		1							

Fig.76. BELT COVER

76 BELT COVER



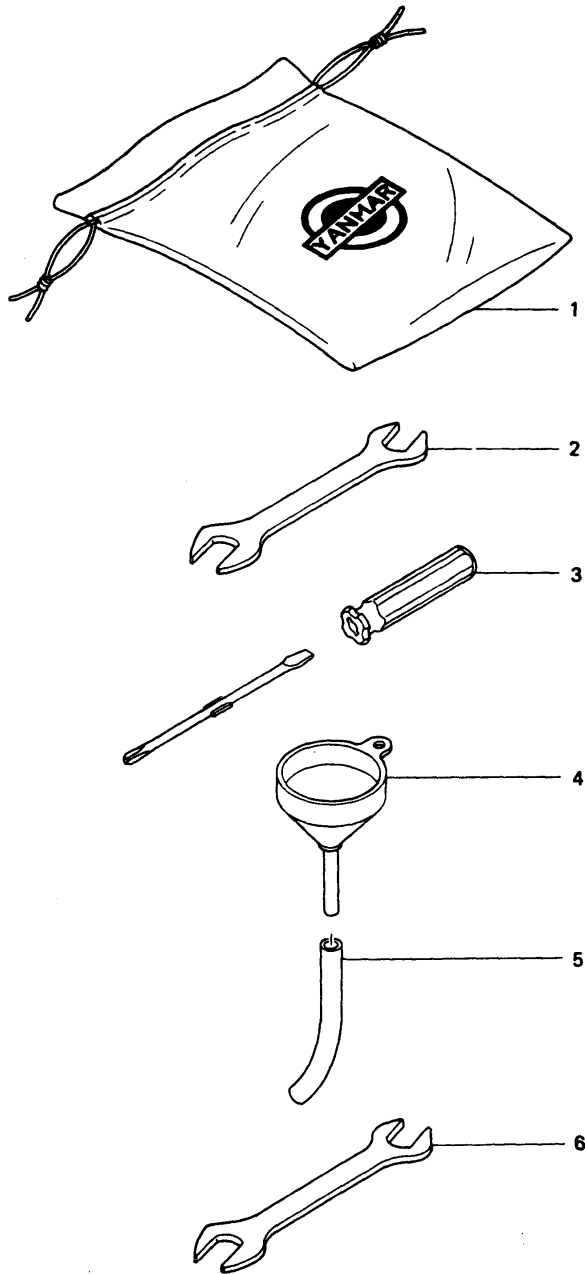
(A)=YK650SF
(B)=
(C)=

(D)=
(E)=
(F)=

No.	Lev.	Parts No.	Description	Qty						I	R
				(A)	(B)	(C)	(D)	(E)	(F)		
1	1	1A1321-62200		1							
2	1	1A1321-62150		1							
3	1	1H6020-60170		2							
4	1	1A1108-66400		1							
5	1	22137-080000	WASHER, 8	1							
6	1	1A1108-66410		1							
7	1	1A1321-65000		1							
8	1	1D1140-11420		4							
9	1	22217-080000	WASHER, SPRING 8	4							
10	1	26717-080002	NUT, M8	4							
11	1	22137-100000	WASHER, 10	4							
12	1	22217-100000	WASHER, SPRING 10	4							
13	1	26717-100002	NUT, M10	4							
14	1	1A1321-62500		1							
15	1	26117-080162		3							
16	1	22217-080000	WASHER, SPRING 8	3							
17	1	1A1102-74541		2							
18	1	1A1320-74000		1							
19	1	1A1320-64001		1							
20	1	1H6020-60170		1							
21	1	1A1320-64200		1							
22	1	22217-100000	WASHER, SPRING 10	1							
23	1	1A1105-66401		1							
24	1	22217-080000	WASHER, SPRING 8	2							
25	1	22137-080000	WASHER, 8	2							
26	1	1A1108-66410		1							
27	1	26636-080002	NUT, WING M8	1							
28	1	26717-100002	NUT, M10	1							
29	1	1A1321-74010		1							
30	1	22117-100000	WASHER, 10	2							

Fig.77. TOOL

77 TUOL



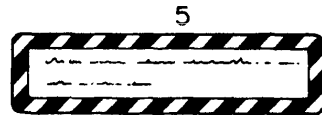
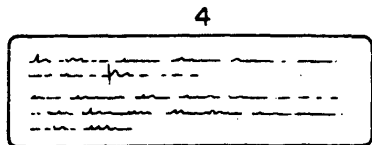
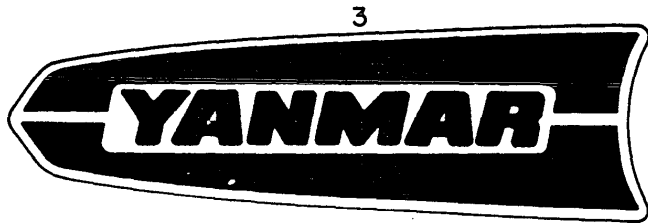
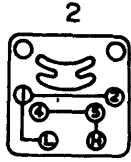
(A)=YK650SF
(B)=
(C)=

(D)=
(E)=
(F)=

No.	Lev.	Parts No.	Description	Q'ty						I	R
				(A)	(B)	(C)	(D)	(E)	(F)		
1	1	1D1510-18090		1							
2	1	1D1140-18080		1							
3	1	1D2040-87060		1							
4	1	1A1105-83000		1							
5	1	1A1102-83110		1							
6	1	1A1105-81000		1							

Fig.78. LABEL

78 LABEL



(A)=YK650SF
(B)=
(C)=

(D)=
(E)=
(F)=

No.	Lev.	Parts No.	Description	Q'ty						I	R
				(A)	(B)	(C)	(D)	(E)	(F)		
1	1	1A1321-88000		1							
2	1	1A1321-88030		1							
3	1	1A1105-88011		1							
4	1	1A1107-88130		1							
5	1	1A1107-88650		1							
6	1	1A1103-88010		1							

Parts No. Index

Parts No.	Fig. No.	Ref. No.
192140-28100	8	30 41 66
1A1101-61100	57	21
1A1102-57100	10	15 -2
	26	20
	27	10
	42	20
	43	10
	58	22
	59	2
	74	26
	75	12
		22
1A1102-57360	43	31
	59	27
	75	40
1A1102-57390	7	23
	27	5
	43	5
	59	42
	75	56
1A1102-74541	76	17
1A1102-83110	13	5
	29	5
	45	5
	61	5
	77	5
1A1103-88010	14	6
	30	7
	46	7
	62	7
	78	6
1A1104-11001	44	7
1A1104-11100	28	7
	44	9
1A1104-14000	21	18
	37	17
	53	4
	69	9
1A1104-16400	37	20
1A1104-21200	23	33
1A1104-21300	22	13
	38	13
	70	15
1A1104-21600	21	8
1A1104-23001	23	5
	39	5
1A1104-23200	23	18
		23

Parts No.	Fig. No.	Ref. No.
1A1104-23200	39	18 23
1A1104-24002	23	4
	39	4
1A1104-24011	23	10
1A1104-24031	23	15
1A1104-24040	23	16
	39	16
1A1104-24052	23	20
	39	20
1A1104-24061	23	21
1A1104-24070	23	27
1A1104-24200	23	25
	39	25
1A1104-25001	23	1
	39	1
1A1104-25010	23	9
	39	9
1A1104-25201	8	45
	23	17
		22
	39	17
		22
1A1104-25210	23	28
1A1104-26400	22	5
	38	5
1A1104-27001	24	1
	40	1
	72	15
1A1104-27011	24	2
	40	2
1A1104-27020	24	5
	40	5
	56	19
	72	19
1A1104-27030	24	8
	40	8
1A1104-27040	24	9
	40	9
1A1104-27050	24	14
	40	14
1A1104-27060	24	15
	40	15
1A1104-27070	24	19
	40	19
	56	20
1A1104-28001	22	3
	38	3
1A1104-28010	23	11
	39	11

Parts No.	Fig. No.	Ref. No.
1A1104-28200	23	6
	39	6
1A1104-28210	23	2
	39	2
1A1104-28220	23	7
	39	7
1A1104-28230	8	52
	24	7
		21
	40	7
		21
	56	35
	72	21
		33
		39
1A1104-28240	23	32
	39	29
1A1104-31000	25	1
	41	1
1A1104-31010	25	2
	41	2
1A1104-51070	26	9
	42	9
1A1104-51400	26	18
	42	18
1A1104-51700	26	5
	42	5
1A1104-52001	10	9
	26	12
	42	12
	58	17
	74	16
1A1104-53100	27	16
	43	16
1A1104-53200	10	7
	26	14
	42	14
	58	27
	74	18
1A1104-54210	43	34
1A1104-54610	26	6
	42	6
	58	31
	74	2
1A1104-56021	27	21
	43	21
	75	58
1A1104-56030	27	15
	43	15
	59	7

Parts No.	Fig. No.	Ref. No.
1A1104-56030	75	16
1A1104-56200	27	13
	43	13
1A1104-57011	27	9
	43	9
1A1104-57061	27	11
	43	11
1A1104-57091	27	12
	43	12
	75	15
1A1104-57130	27	20
	43	20
1A1104-57501	27	24
1A1104-61000	25	10
	41	10
1A1104-61100	25	11
	41	11
1A1104-63001	25	17
	41	17
1A1104-66000	11	16
	25	22
	41	22
1A1104-66201	25	24
	41	24
1A1104-66250	25	25
	41	25
1A1104-66400	25	18
	41	18
1A1104-74520	44	13
1A1104-88011	14	3
	46	4
1A1104-88031	30	2
	46	2
1A1105-11222	59	17
1A1105-15200	28	9
	44	8
	60	20
	69	2
1A1105-16001	7	15
	21	23
	37	21
	53	1
	69	17
1A1105-16401	53	6
1A1105-21300	8	16
	22	14
	38	14
	54	16
	70	16
1A1105-21310	39	30

Parts No. Index

Parts No.	Fig. No.	Ref. No.
1A1105-21310	55	43
	71	29
1A1105-22200	71	25
1A1105-23000	60	24
1A1105-23010	55	17
1A1105-23020	71	26
1A1105-23030	55	27
1A1105-23200	55	4
		11
		30
	71	4
		21
1A1105-23210	55	21
	71	23
1A1105-23220	55	41
1A1105-23230	23	29
	39	26
	55	36
	71	33
1A1105-23240	39	35
	55	39
1A1105-24000	55	2
1A1105-24010	55	8
1A1105-24020	55	9
1A1105-24040	55	14
1A1105-24080	55	26
1A1105-24101	55	33
1A1105-24200	55	44
1A1105-24400	40	24
	56	1
1A1105-24410	56	4
1A1105-24440	56	5
1A1105-24470	56	6
1A1105-24481	40	33
	56	11
1A1105-24490	40	34
	56	12
	72	9
1A1105-24520	57	9
1A1105-24540	57	10
1A1105-25001	55	1
1A1105-25010	55	7
1A1105-25020	55	12
1A1105-25060	39	32
	55	32
1A1105-25200	8	35
	55	15
1A1105-25210	55	29
1A1105-26000	39	36
	55	37

Parts No.	Fig. No.	Ref. No.
1A1105-26020	24	12
	40	12
	56	27
	72	26
		42
1A1105-26030	56	33
1A1105-26040	56	34
1A1105-26200	40	25
	56	2
	72	2
1A1105-26210	40	29
	56	7
	72	6
1A1105-26400	54	5
1A1105-26600	24	11
	39	34
	40	11
	55	34
	56	26
	71	37
	72	25
		41
1A1105-27000	39	37
	55	38
1A1105-27011	56	16
1A1105-27032	56	22
1A1105-27042	56	23
1A1105-27050	24	10
	40	10
	56	25
	72	24
1A1105-27061	56	29
	72	28
1A1105-27140	56	24
1A1105-28010	8	13
	54	12
1A1105-28020	8	15
	22	12
	38	12
	54	14
	70	14
1A1105-28040	24	6
		20
	40	6
		20
	56	21
	72	20
		32
1A1105-28100	8	5
	54	15

Parts No.	Fig. No.	Ref. No.
1A1105-28200	55	6
	71	2
1A1105-28210	55	42
	71	30
1A1105-28220	40	32
	56	10
		36
1A1105-31001	57	1
1A1105-31011	57	2
1A1105-51071	58	10
1A1105-51610	58	7
	74	5
1A1105-51630	10	6
	26	19
	42	19
	58	19
	74	24
1A1105-53000	58	13
1A1105-54232	43	35
	59	31
1A1105-54242	59	30
1A1105-54600	37	24
	59	36
1A1105-54621	41	3
	59	15
	75	7
1A1105-54640	75	60
1A1105-54650	58	29
	75	6
1A1105-54660	58	30
1A1105-54670	7	21
	10	12
	27	27
	43	38
	59	25
	75	10
1A1105-56430	58	12
1A1105-57010	59	3
1A1105-57061	59	4
1A1105-57093	59	6
1A1105-57151	59	5
1A1105-57301	59	12
1A1105-61001	57	16
1A1105-61100	57	17
1A1105-65002	57	27
1A1105-66002	57	28
	73	20
1A1105-66200	11	11
	25	26
	41	26

Parts No.	Fig. No.	Ref. No.
1A1105-66200	57	7
	73	17
1A1105-66401	28	20
	44	19
	60	26
	76	23
1A1105-66430	57	11
	73	12
1A1105-66440	57	13
1A1105-66450	57	26
1A1105-68000	12	20
1A1105-74520	60	15
1A1105-81000	29	6
	45	6
	61	6
	77	6
1A1105-83000	13	4
	29	4
	45	4
	61	4
	77	4
1A1105-88011	30	4
	62	3
	78	3
1A1106-19200	37	16
1A1106-21600	37	8
1A1106-24071	39	33
1A1106-24411	40	27
1A1106-24442	40	28
1A1106-29001	38	1
1A1106-29011	38	2
1A1106-29140	38	18
1A1106-29500	39	31
1A1106-69000	44	1
1A1106-69240	44	12
1A1106-69400	44	17
1A1106-69500	44	14
1A1106-89000	46	1
1A1107-11000	28	8
1A1107-11200	21	16
1A1107-16400	21	22
1A1107-21001	22	1
1A1107-21151	22	2
1A1107-25020	23	26
1A1107-51000	26	1
	42	1
1A1107-51400	58	18
	74	23
1A1107-51600	27	19
	43	19

Parts No. Index

Parts No.	Fig. No.	Ref. No.
1A1107-54200	27	7
	43	7
1A1107-54220	27	26
	43	25
	59	37
	75	5
1A1107-56000	27	18
	43	18
1A1107-62001	25	23
	41	23
1A1107-62100	12	6
	28	27
1A1107-62200	12	2
	28	23
1A1107-62210	12	3
	28	24
1A1107-62400	28	13
1A1107-62500	28	15
1A1107-63000	25	21
	41	21
1A1107-64000	28	18
1A1107-64120	21	1
	37	1
1A1107-65000	28	1
1A1107-88000	30	1
1A1107-88040	30	3
	46	3
1A1107-88130	14	4
	30	5
	46	5
	62	4
	78	4
1A1107-88650	14	5
	30	6
	46	6
	62	6
	78	5
1A1108-11000	60	19
1A1108-11200	53	3
1A1108-17100	27	3
	43	3
	59	40
	75	54
1A1108-17110	27	4
	43	4
	59	41
	75	55
1A1108-21001	54	1
1A1108-21151	54	2
1A1108-24030	55	13

Parts No.	Fig. No.	Ref. No.
1A1108-24090	55	28
1A1108-24110	55	3
1A1108-25020	55	35
1A1108-51000	58	1
1A1108-54200	59	16
	75	1
1A1108-54600	43	39
	59	35
	75	62
1A1108-56460	58	11
1A1108-57350	43	27
	59	22
	75	36
1A1108-57390	43	28
	59	23
	75	37
1A1108-57400	43	32
	59	28
	75	41
1A1108-62001	57	6
1A1108-62150	44	23
	60	2
1A1108-62200	44	22
	60	1
1A1108-62400	60	14
1A1108-62410	60	31
1A1108-62500	60	16
1A1108-64000	60	25
1A1108-64120	53	10
1A1108-65000	60	7
1A1108-66400	12	7
		18
	44	25
	60	4
	76	4
1A1108-66410	12	31
	28	22
		30
	44	21
		26
	60	5
		27
	76	6
		26
1A1108-88000	62	1
1A1108-88030	62	2
1A1120-28140	8	25
	71	15
1A1310-17000	7	22
	27	2

Parts No.	Fig. No.	Ref. No.
1A1310-17000	43	2
	59	39
	75	53
1A1320-11000	69	1
1A1320-11100	21	20
	69	6
		12
1A1320-11201	69	8
1A1320-11250	21	17
	69	11
1A1320-14020	21	19
	69	10
1A1320-16400	69	14
1A1320-23070	72	30
1A1320-24050	71	24
1A1320-24100	71	36
1A1320-24110	71	6
1A1320-24120	71	5
1A1320-24130	71	10
1A1320-24140	71	12
1A1320-24150	71	13
1A1320-24160	71	17
1A1320-24170	71	28
1A1320-24200	71	39
1A1320-24400	72	1
1A1320-24410	72	4
1A1320-24440	72	5
1A1320-24470	72	8
1A1320-25000	71	1
1A1320-25010	71	9
1A1320-25040	71	19
1A1320-25060	71	38
1A1320-26000	71	35
1A1320-26030	72	13
1A1320-26040	72	14
1A1320-26400	70	4
1A1320-27000	71	34
1A1320-27010	72	16
1A1320-27030	72	22
1A1320-27040	72	23
1A1320-27070	72	31
1A1320-27161	72	44
1A1320-27200	72	40
1A1320-27210	72	38
1A1320-28000	70	3
1A1320-28040	72	36
1A1320-31000	73	21
1A1320-31010	73	22
1A1320-51071	74	13
1A1320-51600	26	2

Parts No.	Fig. No.	Ref. No.
1A1320-51600	42	2
	58	2
	74	10
1A1320-52100	26	21
	42	21
	58	20
	74	27
1A1320-54210	75	2
1A1320-54250	75	3
1A1320-56140	75	25
1A1320-56150	8	62
	75	24
1A1320-57011	75	13
1A1320-57202	75	27
1A1320-57230	75	59
1A1320-57250	75	23
1A1320-57282	72	37
1A1320-57302	75	29
1A1320-57323	75	19
1A1320-61000	73	1
1A1320-61100	73	2
1A1320-61190	73	3
1A1320-64001	76	19
1A1320-64190	75	46
1A1320-64200	76	21
1A1320-74000	76	18
1A1321-11220	69	19
1A1321-21001	70	1
1A1321-21151	70	2
1A1321-25020	71	32
1A1321-25070	71	14
1A1321-51001	74	1
1A1321-54230	75	61
1A1321-57060	75	14
1A1321-57150	75	43
1A1321-62001	73	15
1A1321-62150	76	2
1A1321-62200	76	1
1A1321-62500	76	14
1A1321-63000	73	19
1A1321-65000	76	7
1A1321-74010	76	29
1A1321-88000	78	1
1A1321-88030	78	2
1A1360-22200	55	23
1A1360-22210	55	46
1A1360-23020	55	24
1A1360-24050	55	22
1A1360-25040	55	20
1A1360-28000	54	3

Parts No. Index

Parts No.	Fig. No.	Ref. No.
1A1360-54590	27	25
	43	24
	59	34
	75	4
1A1360-57190	59	10
1A1360-74050	12	12
1A1360-74100	12	13
1A1400-11000	7	1
1A1400-11200	7	8
1A1400-11250	7	16
1A1400-14000	7	9
1A1400-16401	7	12
1A1400-16800	7	2
1A1400-23100	8	31
		42
1A1400-23200	8	29
		40
1A1400-23300	8	46
1A1400-24001	8	24
1A1400-24010	8	33
1A1400-24020	8	34
1A1400-24030	8	32
1A1400-24050	8	43
1A1400-24060	8	44
1A1400-24200	8	50
1A1400-25000	8	20
1A1400-25040	8	26
		37
1A1400-25110	8	47
1A1400-26110	8	54
1A1400-26600	8	53
1A1400-27020	8	56
1A1400-27100	8	51
1A1400-27300	8	60
1A1400-28000	8	4
1A1400-28040	8	59
1A1400-28140	8	21
1A1400-28250	8	48
1A1400-31000	9	1
1A1400-31010	9	2
1A1400-51071	10	1
1A1400-51660	10	19
1A1400-56130	10	20
1A1400-63050	11	2
1A1400-64001	12	17
1A1400-64020	12	29
1A1400-64080	12	25
1A1400-64120	12	21
1A1400-65001	11	13
1A1400-66200	11	14

Parts No.	Fig. No.	Ref. No.
1A1400-66400	28	29
1A1400-88030	14	2
1A1401-17100	7	20
1A1401-21001	8	2
1A1401-21151	8	3
1A1401-51400	10	5
1A1401-51550	10	13
1A1401-51650	10	14
1A1401-52100	10	15 -1
1A1401-54220	10	22
1A1401-54400	10	11
1A1401-57500	10	10
1A1401-61000	11	1
1A1401-61151	11	7
1A1401-62400	12	1
1A1401-64070	12	19
1A1401-88000	14	1
1A1410-24010	39	10
1A1410-24030	39	15
1A1410-24060	39	21
1C6020-73090	7	4
1D1140-11420	28	6
		10
		44
		5
		6
		60
		11
		21
		69
		3
		76
		8
1D1140-18080	13	2
		29
		2
		45
		2
		61
		2
		77
		2
1D1510-18090	13	1
		29
		1
		45
		1
		61
		1
		77
		1
1D2020-12440	69	23
1D2040-15480	8	61
1D2040-87060	13	3
		29
		3
		45
		3
		61
		3
		77
		3
1H6020-60170	12	30
		28
		19
		28
		28
		44
		18

Parts No.	Fig. No.	Ref. No.
1H6020-60170	44	24
	60	3
	76	3
		20
1Z0011-05080	34	19
	47	21
	50	12
	66	12
1Z0011-05330	67	43
1Z0011-05350	51	24
1Z0011-05520	67	14
1Z0011-05550	51	13
1Z0011-06100	35	3
	51	3
1Z0011-06120	31	6
	35	54
1Z0011-06220	4	7
	18	7
1Z0011-06280	1	22
	15	22
1Z0011-07350	64	10
1Z0011-08140	51	62
1Z0011-08160	5	46
	19	46
1Z0011-08250	32	8
1Z0014-08250	1	24
	15	24
1Z0046-10000	35	60
	51	75
	67	72
1Z0050-05250	32	9
1Z0050-05400	48	9
1Z0056-08160	63	4
1Z0056-10120	31	11
	47	4
1Z0070-04195	51	76
1Z0070-07170	35	68
1Z0070-07215	67	73
1Z0070-07340	51	65
1Z0070-07370	35	57
	67	62
1Z1201-72140	31	9
	63	12
1Z1509-61170	5	24
	19	24
1Z2200-84100	52	11
1Z2211-34540	68	35
1Z2301-84101	36	8
	68	12
1Z2693-16710	36	22

Parts No.	Fig. No.	Ref. No.
1Z2707-12820	51	47
	67	47
1Z2750-11350	35	48
1Z2750-11810	35	49
1Z2750-61160	51	28
1Z2751-53100	66	11
1Z2751-53310	34	14
	50	13
	66	14
1Z2753-13310	35	14
1Z2801-61680	5	25
	19	25
1Z3122-61160	51	39
	67	35
1Z3122-61190	67	30
1Z3122-61270	67	27
1Z3122-61280	67	29
1Z3252-23710	49	10
	65	10
1Z3252-23800	1	23
	15	23
1Z3252-23830	32	7
	48	14
1Z3252-31220	49	4
1Z3252-34810	36	18
	68	16
1Z3401-61320	51	31
1Z3501-51150	48	7
	64	9
1Z3550-32480	49	7
1Z3550-52320	66	8
1Z3554-85120	36	7
1Z3592-66610	35	45
	51	55
	67	54
1Z3601-34540	36	37
	52	35
1Z3601-81230	36	3
1Z3601-84360	36	4
1Z3601-84400	36	6
	68	4
1Z3620-34431	36	28
1Z3620-34511	36	29
1Z362H-08260	36	25
1Z362T-08130	31	8
1Z362T-14000	35	1
1Z362T-16110	36	19
1Z362T-16120	36	15
1Z362T-16320	31	5
1Z362T-61000	35	21

Parts No. Index

Parts No.	Fig. No.	Ref. No.
1Z362T-66100	35	41
1Z362T-67110	35	53
1Z3640-34300	36	26
1Z3640-34320	36	27
1Z3640-34410	36	34
1Z3640-41100	31	3
1Z3640-53820	34	17
	50	19
	66	15
1Z3640-61840	35	37
1Z3646-81640	52	10
1Z3650-11113	31	1
1Z3650-11210	31	2
1Z3650-12313	31	12
1Z3650-12320	31	13
1Z3650-14420	35	5
1Z3650-21111	32	1
1Z3650-21120	32	2
1Z3650-21150	32	4
1Z3650-21160	32	5
1Z3650-22110	32	6
1Z3650-23101	32	12
1Z3650-23710	3	7
	17	7
	33	10
		13
	49	11
	65	15
1Z3650-30100	33	2
1Z3650-31111	33	1
1Z3650-31210	33	3
1Z3650-31220	33	4
1Z3650-32102	33	8
1Z3650-32172	33	9
1Z3650-32402	33	5
1Z3650-32481	33	7
1Z3650-41210	31	15
1Z3650-41240	31	16
1Z3650-42310	32	10
	33	11
1Z3650-51100	32	13
1Z3650-51150	32	14
1Z3650-51211	32	11
1Z3650-51221	34	1
1Z3650-51230	34	2
1Z3650-52110	34	6
1Z3650-52310	34	7
1Z3650-52320	4	11
	18	11
	34	8

Parts No.	Fig. No.	Ref. No.
1Z3650-53140	34	13
	50	18
1Z3650-61060	35	34
	51	30
1Z3650-61120	35	22
	67	33
1Z3650-61140	35	23
	51	27
1Z3650-61160	35	24
1Z3650-61190	35	25
	67	36
1Z3650-61200	35	26
1Z3650-61260	35	27
1Z3650-61270	35	28
1Z3650-61280	35	29
	51	35
1Z3650-61290	35	30
	51	29
1Z3650-61430	35	32
1Z3650-61810	35	36
1Z3650-65102	35	61
	51	67
	67	64
1Z3650-65120	35	63
	51	69
	67	66
1Z3650-65170	35	62
	51	68
	67	65
1Z3650-65180	67	68
1Z3650-65182	35	65
	51	71
1Z3650-65190	35	64
	51	70
	67	67
1Z3650-65210	35	66
	51	72
	67	69
1Z3650-65220	35	67
	51	73
	67	70
1Z3650-65270	35	59
	51	74
	67	71
1Z3650-74111	31	17
	47	27
1Z3650-81100	36	1
1Z3650-81110	36	2
1Z3650-81640	36	11
1Z3650-84390	36	5

Parts No.	Fig. No.	Ref. No.
1Z3674-14310	35	2
1Z3676-15320	47	17
1Z3679-15320	35	19
	51	15
	63	18
	67	13
1Z3679-61430	51	37
1Z3679-68120	35	69
	51	77
	67	74
1Z3687-61320	35	31
1Z3690-13120	35	10
1Z3690-13160	35	13
1Z3690-13190	35	12
1Z3690-13230	35	11
1Z3690-13310	35	15
1Z3690-53170	34	12
	50	16
	66	19
1Z3691-53100	34	11
1Z3693-13100	35	9
1Z4201-51100	48	8
1Z4210-53100	50	11
1Z4221-34530	36	36
	52	34
1Z4250-11211	47	2
1Z4250-12320	47	14
1Z4250-14420	51	5
1Z4250-22110	48	5
1Z4250-31111	49	1
1Z4250-32170	49	9
1Z4250-32400	49	5
1Z4250-41240	47	24
1Z4250-42350	48	12
1Z4250-51210	48	10
1Z4250-51220	50	4
1Z4250-51230	50	1
1Z4250-52110	50	6
1Z4250-52320	50	10
1Z4251-13120	51	17
	67	17
1Z4251-13160	51	19
	67	19
1Z4251-13190	51	20
	67	20
1Z4251-13230	51	18
	67	18
1Z4251-13320	35	16
	51	10
1Z4251-13330	51	11

Parts No.	Fig. No.	Ref. No.
1Z4251-13330	67	11
1Z4264-67110	51	61
1Z4400-21110	2	1
	16	1
1Z4401-11110	1	1
	15	1
1Z4401-11210	1	2
	15	2
1Z4401-12310	1	11
	15	11
1Z4401-12320	1	12
	15	12
1Z4401-13120	5	11
	19	11
1Z4401-13130	5	12
	19	12
1Z4401-13210	5	13
	19	13
1Z4401-13320	5	27
	19	27
1Z4401-13410	5	38
	19	38
1Z4401-16320	1	5
	15	5
1Z4401-21120	2	2
	16	2
1Z4401-21130	2	3
	16	3
1Z4401-21160	2	4
	16	4
1Z4401-22110	2	5
	16	5
1Z4401-23110	2	6
	16	6
1Z4401-30100	3	2
	17	2
1Z4401-31110	3	1
	17	1
1Z4401-31210	3	3
	17	3
1Z4401-31220	3	4
	17	4
1Z4401-32400	3	5
	17	5
1Z4401-32450	3	6
	17	6
1Z4401-32480	3	11
	17	11
1Z4401-32490	3	12
	17	12

Parts No. Index

Parts No.	Fig. No.	Ref. No.
1Z4401-34320	6	22
	20	22
1Z4401-34410	6	28
	20	28
1Z4401-34440	6	27
	20	27
1Z4401-34450	6	26
	20	26
1Z4401-34460	6	25
	20	25
1Z4401-34470	6	23
	20	23
1Z4401-34490	6	24
	20	24
1Z4401-34520	6	29
	20	29
1Z4401-34600	6	31
	20	31
1Z4401-34820	6	35
	20	35
1Z4401-41100	1	3
	15	3
1Z4401-41240	1	18
	15	18
1Z4401-42110	3	8
		10
	17	8
		10
1Z4401-42310	1	19
	3	16
	15	19
	17	16
	49	12
1Z4401-51100	4	1
	18	1
1Z4401-51210	4	2
	18	2
1Z4401-51220	4	4
	18	4
1Z4401-51350	4	3
	18	3
1Z4401-52101	4	6
	18	6
1Z4401-52310	4	10
	18	10
1Z4401-53140	4	20
	18	20
1Z4401-53210	4	18
	18	18
1Z4401-53350	4	13

Parts No.	Fig. No.	Ref. No.
1Z4401-53350	18	13
1Z4401-53371	4	14
	18	14
1Z4401-53830	4	15
	18	15
1Z4401-53850	4	16
	18	16
1Z4401-53880	4	17
	18	17
1Z4401-61001	5	15
	19	15
1Z4401-61140	5	16
	19	16
1Z4401-61150	5	23
	19	23
1Z4401-61160	5	17
	19	17
1Z4401-61311	5	26
	19	26
1Z4401-61430	5	22
	19	22
1Z4401-61600	5	18
	19	18
1Z4401-61640	5	20
	19	20
1Z4401-61670	5	21
	19	21
1Z4401-61710	5	19
	19	19
1Z4401-61810	5	29
	19	29
1Z4401-61840	5	30
	19	30
1Z4401-66400	5	40
	19	40
1Z4401-66431	5	41
	19	41
1Z4401-66440	5	42
	19	42
1Z4401-66810	5	47
	19	47
1Z4401-67320	5	43
	19	43
1Z4401-74110	1	20
	15	20
1Z4401-74410	1	16
	15	16
1Z4401-81100	6	1
	20	1
1Z4401-81110	6	2

Parts No.	Fig. No.	Ref. No.
1Z4401-81110	20	2
1Z4401-81230	6	3
	20	3
1Z4401-81290	6	7
	20	7
	52	7
1Z4401-81420	6	6
	20	6
1Z4401-81610	6	8
	20	8
1Z4401-81640	6	11
	20	11
	52	8
1Z4401-81720	3	14
	17	14
1Z4401-84100	6	12
	20	12
1Z4401-84140	3	15
	17	15
1Z4401-84360	6	4
	20	4
	52	5
1Z4401-84400	6	5
	20	5
1Z4401-85110	6	18
	20	18
1Z4402-34300	6	21
	20	21
1Z4405-08100	6	19
	20	19
1Z4405-08131	1	7
	15	7
1Z4405-08140	6	17
	20	17
1Z4405-11810	1	9
	15	9
1Z4405-16111	6	15
	20	15
1Z4405-16310	1	8
	15	8
1Z4405-32110	3	13
	17	13
1Z4405-32721	3	9
	17	9
1Z4405-53110	18	12
1Z4405-53111	4	12
1Z4405-55130	5	34
	19	34
1Z4406-53170	4	23
	18	23

Parts No.	Fig. No.	Ref. No.
1Z4412-34530	6	30
	20	30
1Z4412-65250	5	45
	19	45
1Z4413-13110	5	10
	19	10
1Z4413-13160	5	36
	19	36
1Z4413-13510	5	33
	19	33
1Z4413-14100	5	1
	19	1
1Z4413-14320	5	3
	19	3
1Z4413-66100	5	39
	19	39
1Z4414-14311	5	4
	19	4
1Z4496-08270	5	14
	19	14
1Z4496-14420	5	2
	19	2
1Z4496-16270	6	20
	20	20
1Z4496-41200	1	17
	15	17
1Z4496-53120	4	21
	18	21
1Z4499-61220	51	32
1Z4499-61270	51	33
1Z5120-15330	51	14
	67	12
1Z5192-12330	34	4
	50	3
	66	3
1Z5192-61810	51	40
	67	37
1Z5192-74320	31	18
	47	28
	63	24
1Z5250-42350	64	14
1Z5320-84400	52	4
1Z5361-13100	51	16
	67	16
1Z5361-13310	51	9
1Z5400-21110	48	1
1Z5440-16320	47	9
1Z5441-41100	47	3
1Z5446-08110	36	24
	52	22

Parts No. Index

Parts No.	Fig. No.	Ref. No.
1Z5446-41210	47	23
1Z5461-08260	52	23
1Z5461-61000	51	25
1Z5470-11110	47	1
1Z5470-12310	47	13
1Z5470-21120	48	2
1Z5470-21130	32	3
	48	3
1Z5470-21160	48	4
1Z5470-23100	48	6
1Z5470-30100	49	2
1Z5470-31210	49	3
1Z5470-32100	49	8
1Z5470-32450	33	6
	49	6
1Z5470-32610	49	14
1Z5470-34300	52	24
1Z5470-34320	52	25
1Z5470-34410	52	32
1Z5470-34420	36	32
	52	30
1Z5470-34450	36	33
	52	31
1Z5470-34460	36	31
	52	29
1Z5470-34490	36	30
	52	28
1Z5470-34520	36	35
	52	33
1Z5470-34810	52	17
1Z5470-51240	34	3
	50	2
	66	2
1Z5470-52310	50	9
1Z5470-61260	51	34
1Z5470-61330	51	38
1Z5470-61840	51	41
	67	38
1Z5470-72140	47	19
1Z5470-74410	47	18
1Z5470-81100	52	1
1Z5470-81110	52	2
1Z5470-81230	52	3
1Z5470-81640	52	9
1Z5470-84390	52	6
1Z5470-84680	47	20
1Z5479-08130	47	12
1Z5479-08220	5	50
	19	50
	35	46

Parts No.	Fig. No.	Ref. No.
1Z5479-08220	51	57
1Z5479-08510	5	49
	19	49
	35	47
	51	56
1Z5479-11810	47	8
1Z5479-13620	51	45
1Z5479-14000	51	1
1Z5479-14310	51	2
1Z5479-16110	52	18
1Z5479-66100	51	51
1Z5483-08510	6	36
	20	36
	36	23
	52	21
	68	21
	64	15
1Z6201-32740	64	15
1Z6340-41100	63	3
1Z6367-13620	67	45
1Z6367-14000	67	1
1Z6367-14310	67	2
1Z6367-16110	68	17
1Z6367-16320	63	8
1Z6367-61000	67	24
1Z6367-66100	67	50
1Z6370-11110	63	1
1Z6370-11210	63	2
1Z6370-30100	65	2
1Z6370-31110	65	1
1Z6370-41240	63	20
1Z6400-21110	64	1
1Z6407-34300	68	22
1Z6420-34420	68	26
1Z6420-34431	52	26
	68	24
1Z6420-34450	68	31
1Z6420-34460	68	30
1Z6420-34490	68	28
1Z6420-34511	52	27
	68	25
1Z6420-34530	68	34
1Z6440-34320	68	23
1Z6440-41210	63	19
1Z6442-13810	35	20
	51	12
	67	15
		44
1Z6451-34410	68	32
1Z6451-34560	68	27
1Z6458-08110	68	20

Parts No.	Fig. No.	Ref. No.
1Z6458-67110	67	58
1Z6469-13310	67	9
1Z6470-11350	51	58
	67	55
1Z6470-11810	63	6
1Z6470-12310	63	14
1Z6470-12320	63	15
1Z6470-14420	67	5
1Z6470-16120	68	13
1Z6470-21120	64	2
1Z6470-21130	64	3
1Z6470-21150	64	4
1Z6470-21160	64	5
1Z6470-22110	64	6
1Z6470-31210	65	3
1Z6470-31220	65	4
1Z6470-32100	65	8
1Z6470-32170	65	9
1Z6470-32400	65	5
1Z6470-32450	65	6
1Z6470-32480	65	7
1Z6470-32610	65	11
1Z6470-34480	68	29
1Z6470-42310	65	14
1Z6470-51100	64	8
1Z6470-51210	64	11
1Z6470-51220	66	4
1Z6470-51230	66	1
1Z6470-52110	66	6
1Z6470-52310	66	7
1Z6470-53140	66	13
1Z6470-61140	67	34
1Z6470-61260	67	28
1Z6470-61430	67	31
1Z6470-74110	63	23
1Z6470-81100	68	1
1Z6470-81110	68	2
1Z6470-81230	68	6
1Z6470-84360	68	5
1Z6470-84390	68	3
1Z6484-13320	67	10
1Z6484-61200	67	32
1Z6484-61290	67	25
1Z6487-23100	64	7
1Z6670-61120	51	26
1Z6671-08260	5	48
	19	48
1Z7101-61321	67	26
1Z7196-55150	5	35
	19	35

Parts No.	Fig. No.	Ref. No.
1Z7196-68120	35	58
	51	66
	67	63
1Z7220-74310	63	25
1Z7220-74410	63	13
1Z7270-84180	6	13
	20	13
	36	9
	52	12
	68	11
1Z7270-84190	6	14
	20	14
	36	10
	52	13
	68	10
1Z8190-61590	35	33
	51	36
1Z8290-53320	34	15
	50	14
	66	20
1Z8290-53330	34	16
	50	15
	66	18
1Z8290-66410	35	42
	51	52
	67	51
1Z8290-66432	35	44
	51	53
	67	52
1Z8290-66460	35	43
	51	54
	67	53
1Z8290-74470	5	44
	19	44
1Z8294-74410	31	10
	63	11
1Z8863-34520	68	33
22117-080000	1	10
	15	10
	35	50
22117-100000	47	7
	63	7
	76	30
22117-120000	59	8
	75	17
		20
22137-050000	8	18
	10	21
	22	16
	26	4

Parts No. Index

Parts No.	Fig. No.	Ref. No.	
22137-050000	38	16	
	42	4	
	54	18	
	58	4	
	70	18	
	74	12	
	22137-060000	4	9
		5	6
			9
			32
8		63	
12		16	
18		9	
19		6	
		9	
		32	
	26	8	
	31	7	
	36	17	
		21	
	42	8	
	43	36	
	47	11	
	51	50	
	52	20	
	58	9	
	59	32	
	63	10	
	67	42	
	68	15	
		19	
	74	7	
	75	8	
		30	
22137-080000	12	9	
		32	
	25	6	
	28	5	
		21	
		31	
	40	37	
	41	6	
	44	4	
		20	
	27		
	56	13	
	57	3	
	58	6	
	60	6	
		28	

Parts No.	Fig. No.	Ref. No.			
22137-080000	60	32			
	72	10			
	73	25			
	74	9			
	75	34			
		47			
		76	5		
			25		
	22137-100000	10	18		
		23	14		
57		32			
60		8			
76		11			
22137-120000		27	14		
		43	14		
		22137-140000	8	23	
			26	22	
			42	22	
	58		24		
	74		28		
	22147-100000		39	14	
			22217-050000	47	22
				51	23
67				23	
22217-060000				7	5
		8		7	
				58	
		12		15	
				23	
		21		4	
		14			
	22	7			
	24	4			
	26	11			
27	23				
34	10				
35	4				
	8				
	39				
	37	4			
	14				
	38	7			
	40	4			
	42	11			
	43	23			
	50	8			
	51	4			
		44			
		49			
	54	7			

Parts No.	Fig. No.	Ref. No.
22217-060000	56	18
	57	31
	58	26
	59	14
		20
	66	10
	67	4
		41
		49
		72
	74	4
	75	15
	75	45
22217-080000	7	13
		51
		18
	8	10
		28
		39
	9	3
		6
	10	3
	11	5
	9	
12	4	
	10	
	27	
21	7	
24	18	
	23	
25	5	
	20	
28	4	
	12	
	17	
	25	
	35	52
	56	
37	7	
40	18	
	23	
	36	
41	5	
	20	
44	3	
	11	
	16	
51	8	
	64	
	56	14

Parts No.	Fig. No.	Ref. No.	
22217-080000	56	32	
	57	5	
		25	
	60	12	
		18	
		23	
		29	
		67	8
		69	5
		70	21
	72	7	
	72	11	
		35	
		47	
	73	6	
		23	
	75	33	
		49	
	76	9	
		16	
22217-100000		24	
	10	17	
	21	11	
		25	
		10	
		22	10
		23	13
		25	9
		26	15
		37	17
	37	11	
		23	
	38	10	
		21	
	39	13	
	41	9	
		15	
	42	17	
	51	60	
	53	8	
	54	10	
	57	15	
		19	
	58	16	
	60	9	
	67	57	
	69	15	
	70	8	
	73	13	
	74	21	

Parts No. Index

Parts No.	Fig. No.	Ref. No.
22217-100000	76	12
		22
22217-140000	10	8
	26	13
		24
	42	13
		24
	58	23
		28
	74	17
		19
22242-000100	8	65
	75	28
22242-000120	59	11
22242-000140	7	3
		11
	37	19
	53	9
22242-000170	7	10
	21	21
	23	8
	37	18
	39	8
	53	5
	55	45
	69	13
22242-000200	55	18
22242-000220	55	25
	71	11
22242-000240	71	22
22242-000280	8	36
22242-000300	55	10
	71	27
22242-000360	55	16
22252-000620	23	31
	39	28
22351-040018	24	16
	40	16
	56	30
	72	29
		45
22360-060000	4	5
	18	5
22360-100000	58	14
22360-160000	11	12
	25	3
	41	27
	57	8
	73	18
22411-200100	40	26

Parts No.	Fig. No.	Ref. No.
22411-200100	40	30
	56	3
		8
	72	3
22411-200180	8	55
	24	13
	40	13
	56	28
	72	27
		43
22417-200100	8	64
	75	9
		26
22417-200120	43	37
	59	33
22417-200180	27	17
	43	17
	59	9
	75	18
22417-300160	11	15
23061-070015	35	18
23061-070100	5	37
	19	37
23601-070090	47	16
23601-070100	63	17
24101-060044	71	7
24101-060054	8	49
24101-060074	39	27
	55	40
24101-062024	8	22
	32	15
	64	12
24101-062034	23	3
		19
		24
	39	3
		19
		24
	71	16
24101-062044	32	16
	33	12
	55	5
		19
	71	3
24101-062054	48	11
	49	15
24101-062064	64	13
	65	13
24101-062070	71	31
24101-063024	71	8

Parts No.	Fig. No.	Ref. No.
24101-063034	71	18
24101-063044	55	31
	71	20
24101-063054	49	13
24101-063064	65	12
24104-060074	23	30
24311-000100	40	31
	56	9
	72	7
24311-000150	1	21
	15	21
25112-000410	28	14
25112-009650	12	28
26011-050402	35	35
26011-050602	35	17
26011-060102	6	16
		33
	20	16
		33
	36	39
	52	36
	68	37
26011-060122	1	13
	15	13
	31	14
	51	46
	67	46
26011-060302	66	17
26011-060322	47	25
26011-060342	31	19
26011-060422	31	20
	47	26
26011-080352	31	4
26011-080402	63	22
26011-080452	63	21
26011-080502	1	4
	15	4
26013-050202	52	14
26013-060122	36	20
		38
	47	10
		15
	52	19
		37
	63	9
		16
	68	14
		18
26013-060162	36	16
26013-060252	68	9

Parts No.	Fig. No.	Ref. No.
26013-080252	48	13
	64	16
26013-080302	36	13
26014-060122	68	36
26014-080142	67	59
26021-040082	3	17
	6	10
	17	17
	20	10
26021-040102	6	32
	20	32
	68	8
26021-040202	36	14
	68	7
26021-050102	1	6
	5	28
	15	6
	19	28
26021-050162	6	9
	20	9
26021-060282	34	20
	50	17
26022-040062	34	5
	50	5
	66	5
26022-040102	52	15
26022-040202	52	16
26023-040102	36	12
26116-060082	5	5
	19	5
	67	3
26116-080302	11	4
26116-080652	11	8
26116-100352	25	12
	41	12
26116-100402	47	5
	73	11
26116-100452	47	6
	57	18
	63	5
26116-100552	25	13
	41	13
26116-100852	26	15
	42	15
	74	20
26116-100902	25	7
	41	7
	57	12
26116-101002	73	16
26116-120252	73	8

Parts No. Index

Parts No.	Fig. No.	Ref. No.
26117-060102	8	6
		12
26117-060122	12	54 11
		21 5
		37 5
		75 44
		12 14
26117-060129	12	14
26117-060142	22	4
		24 3
26117-060162	8	38 4
		40 3
		54 4
		56 17
		59 44
		72 18
		21 2
		12 12
		37 2
		12 12
		59 18
26117-060182	59	18
26117-060202	57	29
		59 13
26117-060252	7	6
26117-080082	22	11
26117-080102	8	14
		38 11
26117-080122	57	54 13
		70 13
		73 5
26117-080142	8	9
		9 5
26117-080162	7	17
		12 26
		24 17
		22 22
		28 16
		40 17
		22 22
		44 15
		56 31
		60 17
		70 5
72 34		
76 15		
26117-080202	69	20
		72 46
26117-080252	28	11

Parts No.	Fig. No.	Ref. No.
26117-080252	44	10
		60 22
		69 4
26117-080402	12	8
		28 2
		11 3
26117-080452	11	3
26117-080502	25	16
		41 16
26117-080552	73	4
		10 2
		26117-080652
26117-080702	10	23
26117-100182	22	8
		38 8
		54 8
		70 6
		21 9
26117-100202	37	9
26117-100222	69	18
		73 10
26117-100252	38	19
26117-101202	10	16
26117-141252	26	23
		42 23
26127-100602	70	58 21
		74 29
		51 42
		5 7
		19 7
26216-050122	51	42
26216-060162	5	7
26216-060252	67	39
26217-050122	51	21
		67 21
26217-060162	35	6
26217-060202	1	14
		15 14
26217-060382	1	15
		15 15
		51 6
26217-080182	67	6
		67 6
26450-060102	26	10
		42 10
		58 25
		74 3
		14 14
26557-040082	4	22
26557-040202	4	24
		18 22
26557-040202	4	24
26557-040202	18	19

Parts No.	Fig. No.	Ref. No.
26557-040252	4	19
26557-050102	26	3
		42 3
		58 3
		74 11
26557-050252	8	19
		22 15
		38 15
		54 17
		70 17
26557-060122	26	7
		42 7
26557-060222	7	8
		74 6
		27 24
		27 6
		43 6
26557-080122	75	29
		33 33
		59 24
		29 29
		43 43
		75 38
		42 42
		57 57
		32 32
		58 5
		74 8
76 27		
26557-080162	58	5
26636-080002	76	27
26647-080152	60	30
26716-060002	4	8
		5 8
26716-100002	51	31
		18 8
		19 8
		31 31
		34 9
		18 18
		35 38
		50 7
		20 20
		51 43
		48 48
66 9		
16 16		
67 40		
48 48		
51 59		
67 56		
26716-100002	51	59
26716-100002	67	56
26716-100002	8	17

Parts No.	Fig. No.	Ref. No.
26717-050002	22	17
		38 17
		51 22
		54 19
		67 22
26717-060002	8	19
		70 19
		8 8
		12 24
		21 3
26717-080002	7	13 13
		22 6
		27 22
		35 7
		37 3
		13 13
		38 6
		43 22
		54 6
		57 30
		59 19
75 31		
50 50		
14 14		
19 19		
11 11		
27 27		
38 38		
4 4		
9 9		
10 4		
11 6		
10 10		
5 5		
11 11		
6 6		
12 5		
21 6		
25 4		
19 19		
3 3		
26 26		
35 51		
55 55		
35 35		
4 4		
19 19		
2 2		
7 7		
63 63		
15 15		
4 4		
24 24		
13 13		

Parts No. Index

Parts No.	Fig. No.	Ref. No.	
26717-080002	67	7	
		60	
	69	22	
	70	9	
	72	12	
	73	7	
		24	
	75	48	
	76	10	
	26717-100002	21	10
			24
		22	9
		23	12
		25	8
			14
		26	16
		37	10
		22	
38		9	
		20	
39		12	
41		8	
		14	
42		16	
53		7	
54		9	
57	14		
	20		
	15		
	60		
	69		
	70		
	73		
	74		
	76		
	28		
26717-120002	73	9	
26722-100002	70	12	
26736-140002	6	34	
	20	34	
26757-080002	37	6	
7A1104-50021	27	8	
	43	8	
7A1105-50020	59	1	
7A1106-19000	37	15	
7A1107-10000	21	15	
7A1108-10000	53	2	
7A1108-17100	27	1	
	43	1	
	59	38	

Parts No.	Fig. No.	Ref. No.
7A1108-17100	75	52
7A1108-50720	43	26
	59	21
	75	35
7A1108-50730	43	30
	59	26
	75	39
7A1320-10001	69	7
7A1320-50020	75	11
7A1320-50040	74	25
7A1320-50050	75	21
7A1400-10000	7	7
7A1401-20001	8	1

Parts No.	Fig. No.	Ref. No.
-----------	----------	----------

Parts No.	Fig. No.	Ref. No.
-----------	----------	----------